

**Meridian** is a versatile collection of architectural hardware designed by Tom Peters. For effortless continuity throughout an installation, the group includes both door pulls and cabinet pulls. All are cast of solid stainless steel or bronze. Multiple design options invite a wealth of possibilities. Meticulous detailing and seamless finishes ensure the precise beauty of each form.

**Installation**

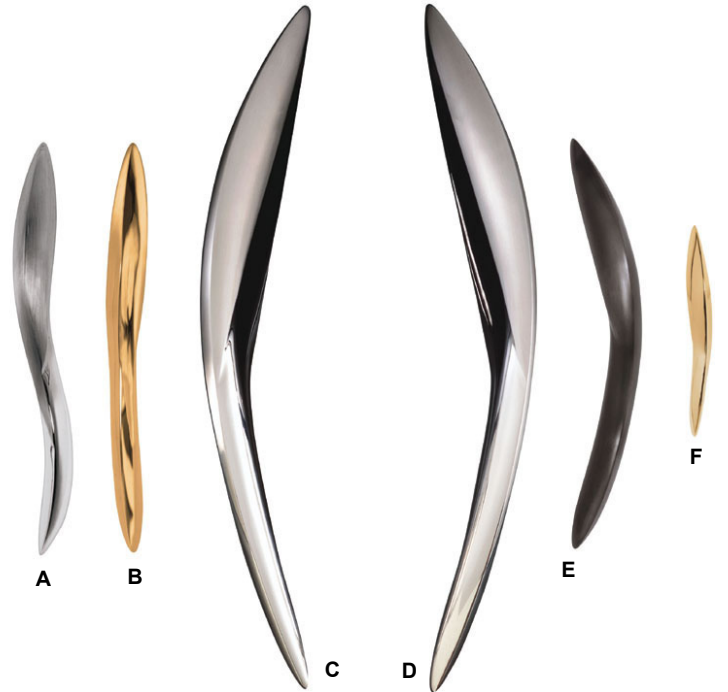
**Door pulls** may be single mounted or mounted back-to-back on wood, metal or glass doors. *Door pulls are installed using Mounting System "B". Refer to Mounting Options B1, B2, B3, B4, B5, B6 and B7 in the Hardware Mounting Options Tech Brief for additional information.*

Note: 12" c.c. Meridian door pulls on glass use 1" diameter turning washers as escutcheons.

**Cabinet pulls** are designed for 3/4" thick cabinet doors or drawers and are installed using 8-32x1" long screws (included with order).

**Maintenance**

Meridian door and cabinet pulls are well-suited for interior or exterior use. Regular maintenance will help ensure the lasting beauty of each pull.



- A. DP9105 door pull 12" c.c. in combination finish stainless steel
- B. DP9101 door pull 12" c.c. in polished bronze
- C. DP9103 door pull 20" c.c. in combination finish stainless steel
- D. DP9104 door pull 20" c.c. in combination finish stainless steel
- E. DP9104 door pull 12" c.c. in oil-rubbed bronze
- F. DPC9102 cabinet pull 6" c.c. in polished bronze

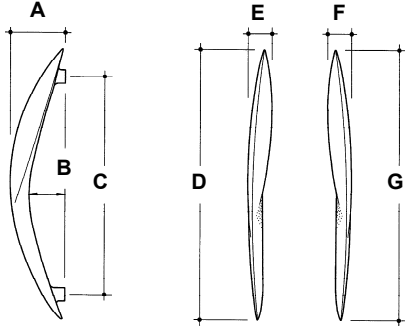


DPC9101 (left) and DPC9102 (right) cabinet pulls  
 Pair at left: polished stainless steel  
 Pair at right: polished bronze

**Metals and Finishes**

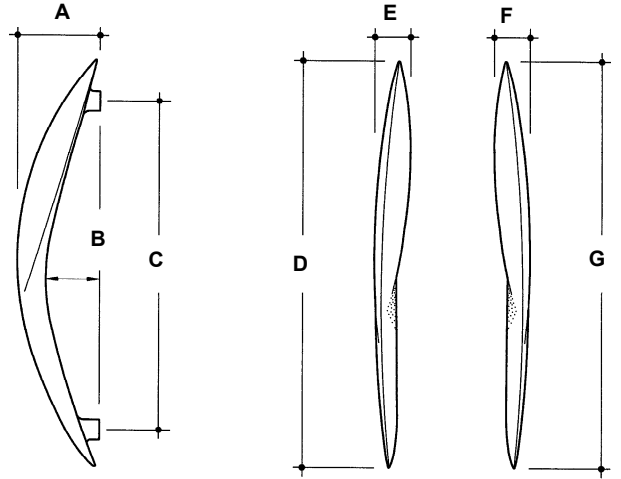
door pulls			
US32	polished stainless steel	US9	polished bronze
US32D	satin stainless steel	US10	satin bronze
SSS	stippled stainless steel	SBR	stippled bronze
PSS *	combination polished and satin stainless steel	US10B	oil-rubbed bronze
		S10	stippled oil-rubbed bronze
* PSS and PSB combination finishes: upper section of pull is satin finish; lower section is polished finish		PSB *	combination polished and satin bronze
cabinet pulls			
US32	polished stainless steel	US9	polished bronze
US32D	satin stainless steel	US10	satin bronze
		US10B	oil-rubbed bronze

## Door and Cabinet Pull Design Options



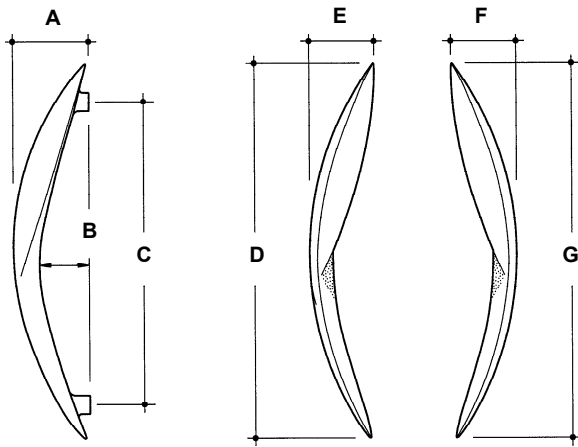
**Cabinet Pulls**      **DPC9101**      **DPC9102**

size	A	B	C	D	E	F	G
6" c.c.	1.5"	1.125"	6"	7.625"	.75"	.75"	7.625"



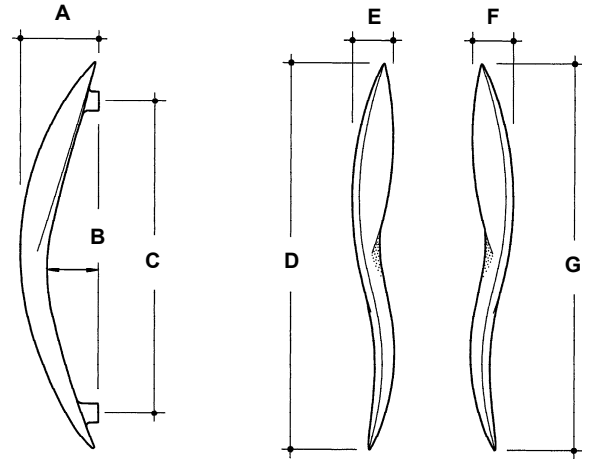
**Door Pulls**      **DP9101**      **DP9102**

size	A	B	C	D	E	F	G
12" c.c.	2.75"	1.75"	12"	14.75"	1.25"	1.25"	14.75"
20" c.c.	3.25"	2.25"	20"	24"	1.5"	1.5"	24"



**Door Pulls**      **DP9103**      **DP9104**

size	A	B	C	D	E	F	G
12" c.c.	2.75"	1.75"	12"	14.75"	2.5"	2.5"	14.75"
20" c.c.	3.25"	2.25"	20"	24"	3.5"	3.5"	24"



**Door Pulls**      **DP9105**      **DP9106**

size	A	B	C	D	E	F	G
12" c.c.	2.75"	1.75"	12"	14.75"	1.375"	1.375"	14.75"
20" c.c.	3.25"	2.25"	20"	24"	1.75"	1.75"	24"

**List Pricing and Ordering Information***No additional charge for mounting hardware. All pricing is for single units, not pairs.*

door pull model	stainless steel	list price	bronze	list price
DT1001 end cap 1" dia.	US32, US32D, SSS	\$40	US9, US10, US10B, SBR, S10	\$60
DP9101 left; 12" c.c.	US32, US32D, SSS, PSS	\$536	US9, US10, PSB, US10B, SBR, S10	\$805
DP9101 left; 20" c.c.	US32, US32D, SSS, PSS	\$698	US9, US10, PSB, US10B, SBR, S10	\$1,047
DP9102 right; 12" c.c.	US32, US32D, SSS, PSS	\$536	US9, US10, PSB, US10B, SBR, S10	\$805
DP9102 right; 20" c.c.	US32, US32D, SSS, PSS	\$698	US9, US10, PSB, US10B, SBR, S10	\$1,047
DP9103 left; 12" c.c.	US32, US32D, SSS, PSS	\$536	US9, US10, PSB, US10B, SBR, S10	\$805
DP9103 left; 20" c.c.	US32, US32D, SSS, PSS	\$698	US9, US10, PSB, US10B, SBR, S10	\$1,047
DP9104 right; 12" c.c.	US32, US32D, SSS, PSS	\$536	US9, US10, PSB, US10B, SBR, S10	\$805
DP9104 right; 20" c.c.	US32, US32D, SSS, PSS	\$698	US9, US10, PSB, US10B, SBR, S10	\$1,047
DP9105 left; 12" c.c.	US32, US32D, SSS, PSS	\$536	US9, US10, PSB, US10B, SBR, S10	\$805
DP9105 left; 20" c.c.	US32, US32D, SSS, PSS	\$698	US9, US10, PSB, US10B, SBR, S10	\$1,047
DP9106 right; 12" c.c.	US32, US32D, SSS, PSS	\$536	US9, US10, PSB, US10B, SBR, S10	\$805
DP9106 right; 20" c.c.	US32, US32D, SSS, PSS	\$698	US9, US10, PSB, US10B, SBR, S10	\$1,047

**Note:** DP9100 door pulls are designed to be used in pairs. One left hand and one right hand door pull is suggested. If door pulls are to be used back-to-back on a single door, one left hand and one right hand door pull is required. Please specify which pull is exterior and which is interior.

cabinet pull model	stainless steel	list price	bronze	list price
DPC9101 left; 6" c.c.	US32, US32D	\$128	US9, US10, US10B	\$192
DPC9102 right; 6" c.c.	US32, US32D	\$128	US9, US10, US10B	\$192

**To order specify:** door pull or cabinet pull model number, center-to-center dimension, quantity, metal and finish, door pull mounting option (single or back-to-back), door material and thickness. Pricing does not include freight.

© 2009 Forms+Surfaces All dimensions are nominal. Pricing and specifications subject to change without notice. Different computers, monitors and printers will render colors differently; actual finishes may vary slightly from colors shown here. For the most current version of this tech brief please refer to our web site at [www.forms-surfaces.com](http://www.forms-surfaces.com).