

PROJECT NAME: _____

DATE: _____

JOB LOCATION: _____

COMPANY: _____

SPECIFIER: _____

PLEASE USE ADOBE READER OR ADOBE ACROBAT TO FILL OUT AND SAVE FORM. USING OTHER PROGRAMS COULD RESULT IN UNSAVED DATA.

MODEL

QUANTITY

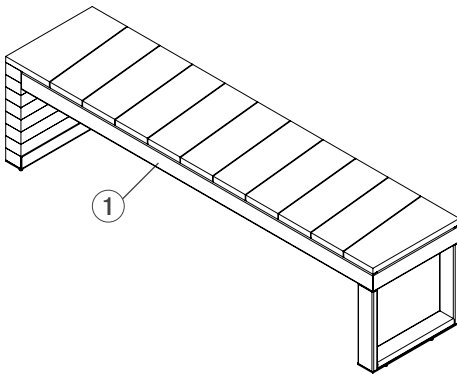
MODEL

_____	SBDUO-72PC	Duo Bench, powdercoated stainless steel frame, FSC® 100% Cumaru hardwood seat and end
_____	SBDUO-72SC	Duo Bench, polished stainless steel frame, FSC® 100% Cumaru hardwood seat and end

FSC License Code: FSC-C004453

OPTIONS

DUO BENCH, FSC 100% CUMARU HARDWOOD SEAT AND END



① Finish Options

Please select **one** option below and write in specified color.

Table/Bench Frame

- Polished Stainless Steel
- Standard Texture from F+S Powdercoat Chart
- _____
- Custom RAL Powdercoat Color *(subject to upcharge)*
- _____

Mounting Options

- Freestanding
- Surface Mount*
 - Add F+S stainless steel mounting hardware kit*
 - Do not include F+S mounting kit

*Hardware is required for surface mount benches. Mounting kits can be purchased from F+S for an additional charge.

NOTES

Please send completed forms to sales@forms-surfaces.com or contact us at 800.451.0410 with any questions.