

PROJECT NAME: _____

DATE: _____

JOB LOCATION: _____

COMPANY: _____

SPECIFIER: _____

PLEASE USE ADOBE READER OR ADOBE ACROBAT TO FILL OUT AND SAVE FORM. USING OTHER PROGRAMS COULD RESULT IN UNSAVED DATA.

MODEL

QUANTITY

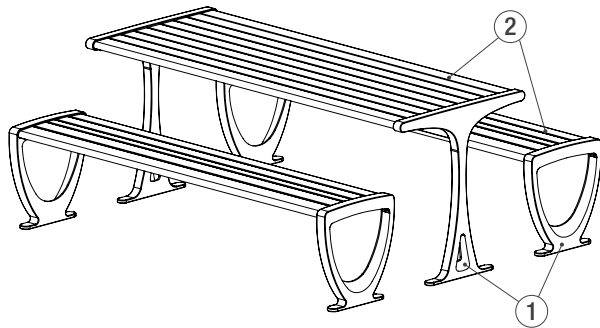
MODEL

_____	STTRO-72SC	Trio Table Ensemble, FSC 100% Cumaru hardwood slats
_____	STTRO-72SC-ADA	Trio Table Ensemble, ADA option, FSC 100% Cumaru hardwood slats
_____	STTRO-72SA	Trio Table Ensemble, extruded aluminum slats
_____	STTRO-72SA-ADA	Trio Table Ensemble, ADA option, extruded aluminum slats

FSC License Code: FSC-C004453

OPTIONS

TRIO TABLE ENSEMBLE, ALUMINUM SLATS



Bench Design Options

1 Frame Powdercoat Colors

Standard Texture from F+S Powdercoat Chart

Custom RAL Powdercoat Color *(subject to upcharge)*

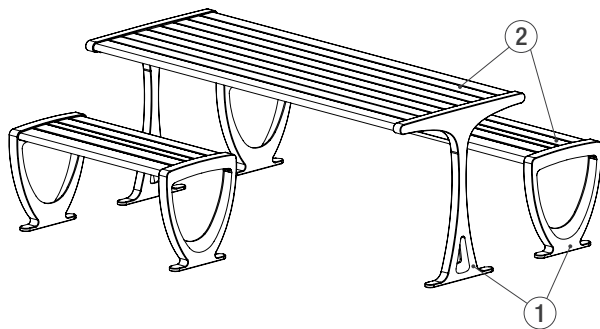
2 Slat Finish Options (for models with aluminum slats)

Clear Anodized

Standard Texture from F+S Powdercoat Chart

Custom RAL Powdercoat Color *(subject to upcharge)*

TRIO TABLE ENSEMBLE, ADA OPTION, ALUMINUM SLATS



Umbrella Hole

For use with the Soleris Sunshade

- Yes *(subject to upcharge)*
- No

Surface Mount Hardware Options

- Add F+S stainless steel mounting hardware kit*
- Do not include F+S mounting hardware kit

**Hardware is required for surface mount tables & chairs. Mounting kits can be purchased from F+S for an additional charge.*

NOTES

Please send completed forms to sales@forms-surfaces.com or contact us at **800.451.0410** with any questions.