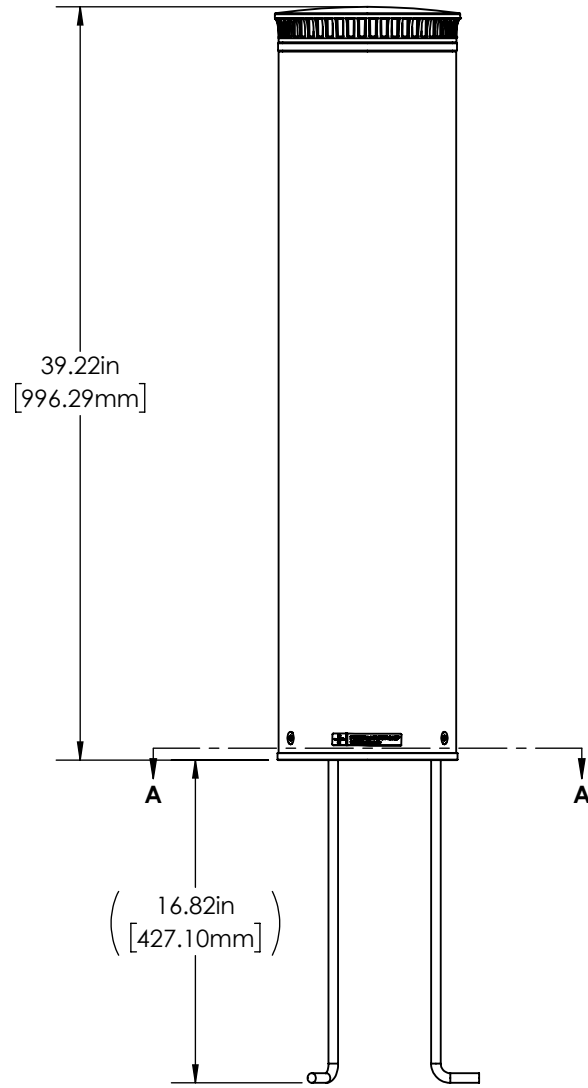
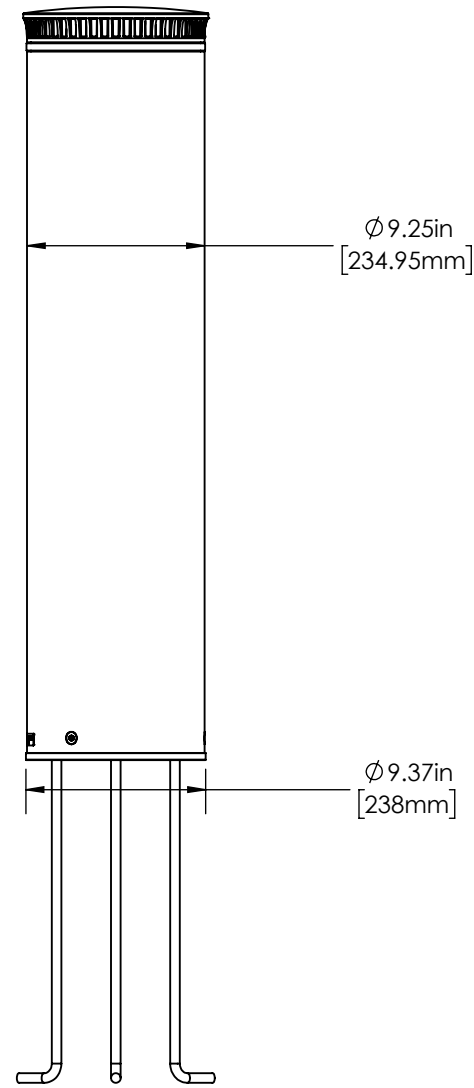


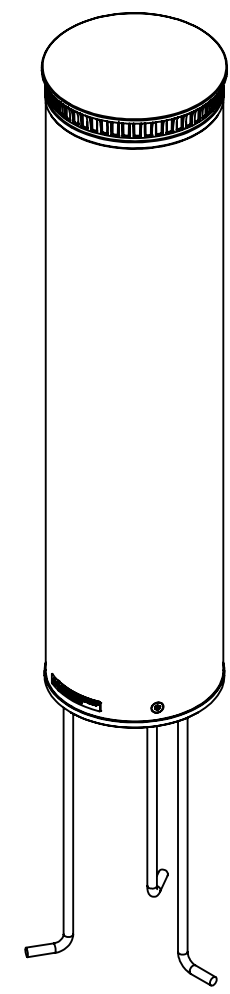
TOP VIEW



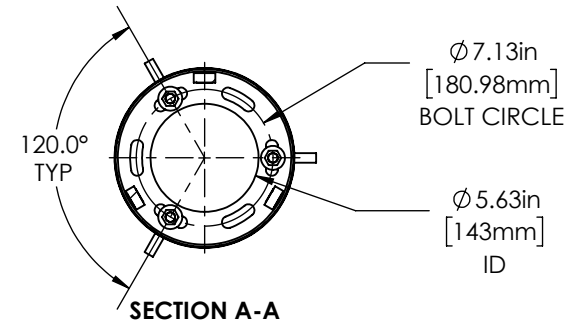
FRONT VIEW



SIDE VIEW



ISO VIEW

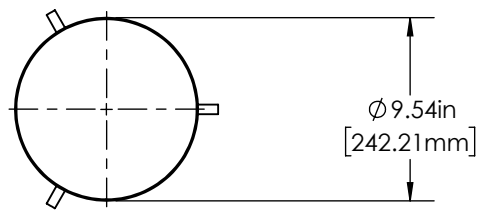


SECTION A-A

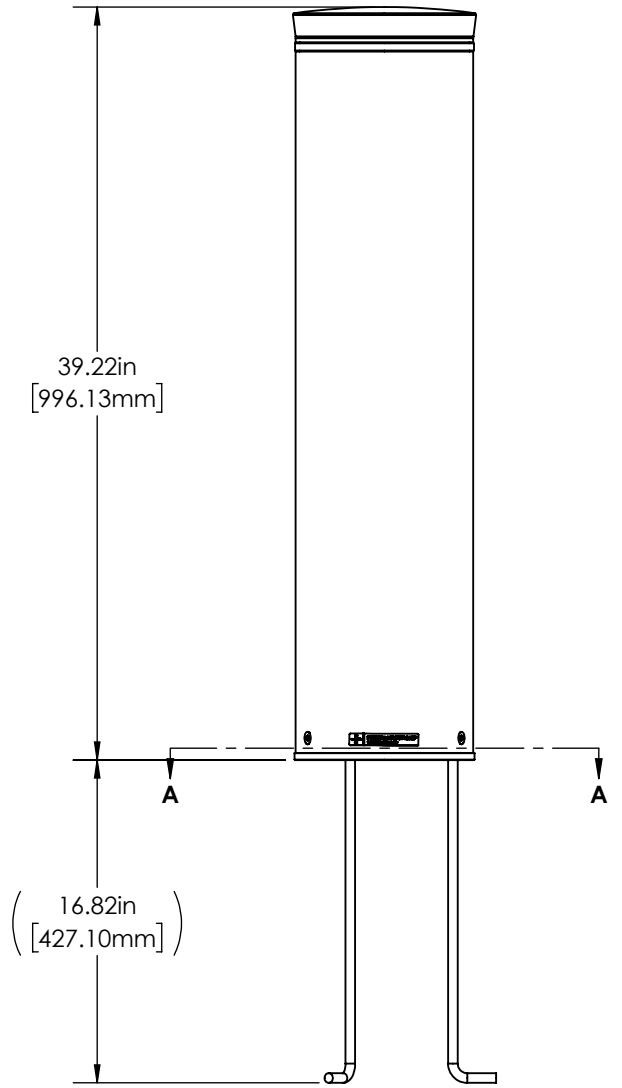
NOTE:

1. MOUNTING DIMENSIONS ARE PROVIDED FOR REFERENCE ONLY. DO NOT INSTALL ANCHORS PRIOR TO RECEIVING PRODUCT ON SITE.

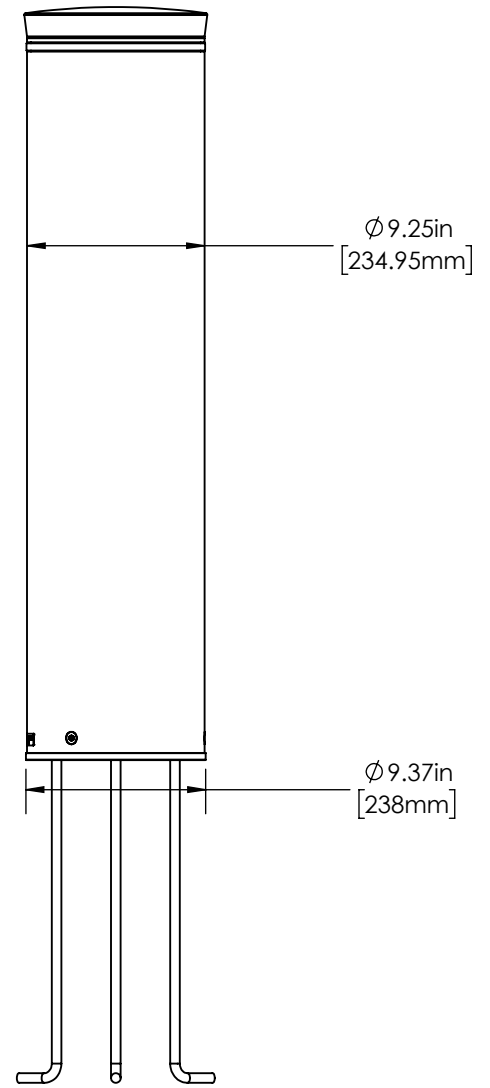
<b>UNLESS OTHERWISE SPECIFIED:</b> 1. PRIMARY DIM. ARE IN INCHES & SECONDARY [DIM] IN MM 2. TOLERANCES FRACTIONAL: ±1/32; ANGULAR/BEND: ±1° TWO PLACE DECIMAL ±.030 THREE PLACE DECIMAL ±.020 3. REMOVE ALL BURRS AND SHARP EDGES				30 Pine Street, Pittsburgh, PA 15223 Tel (412) 781-9003 Fax (412) 781-7840	
	THIRD ANGLE PROJECTION	NAME	DATE	DESCRIPTION:	
MATERIAL: VARIOUS	DO NOT SCALE DRAWING	DWN	TPH	<b>CYRCA BOLLARD, SERIES 900</b> <b>SURFACE MOUNT</b>	
FINISH: REFER JO	PROPRIETARY AND CONFIDENTIAL	REV	SHEET	SIZE B DWG. NO. LBCYR-903-LIT--DRC--SFM 0 1 OF 1	
WEIGHT: 50.940 LBS.	THE INFORMATION CONTAINED IN THIS DRAWING IS THE SOLE PROPERTY OF FORMS + SURFACES. ANY REPRODUCTION IN PART OR AS A WHOLE WITHOUT WRITTEN PERMISSION IS PROHIBITED.				
SCALE: NOT TO SCALE					



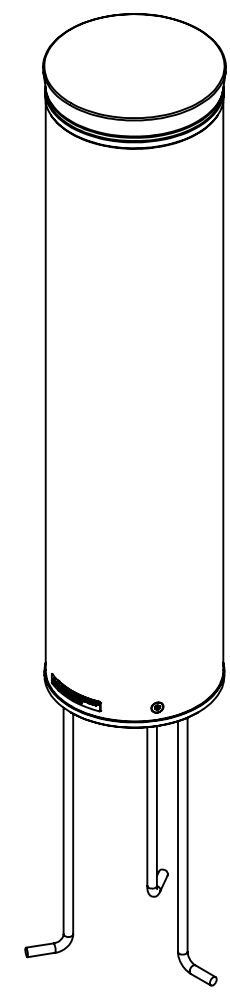
TOP VIEW



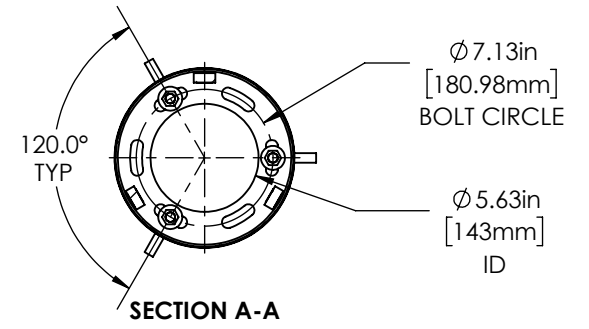
FRONT VIEW



SIDE VIEW



ISO VIEW

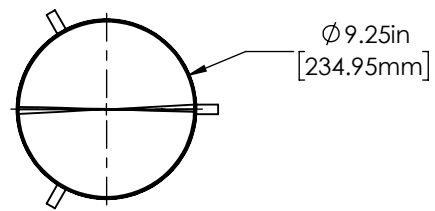


SECTION A-A

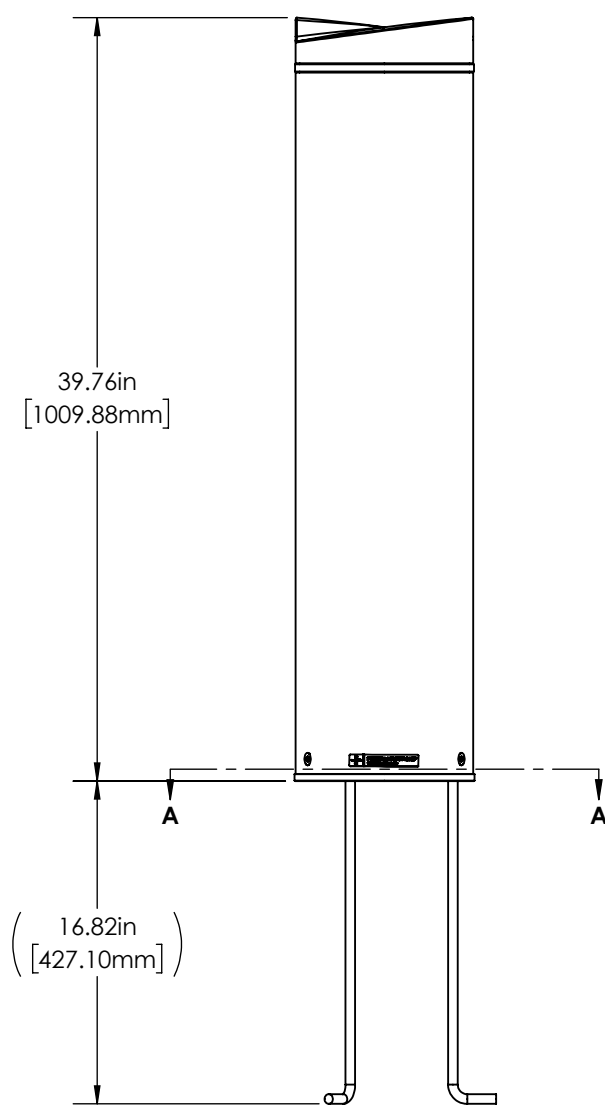
NOTE:

1. MOUNTING DIMENSIONS ARE PROVIDED FOR REFERENCE ONLY. DO NOT INSTALL ANCHORS PRIOR TO RECEIVING PRODUCT ON SITE.

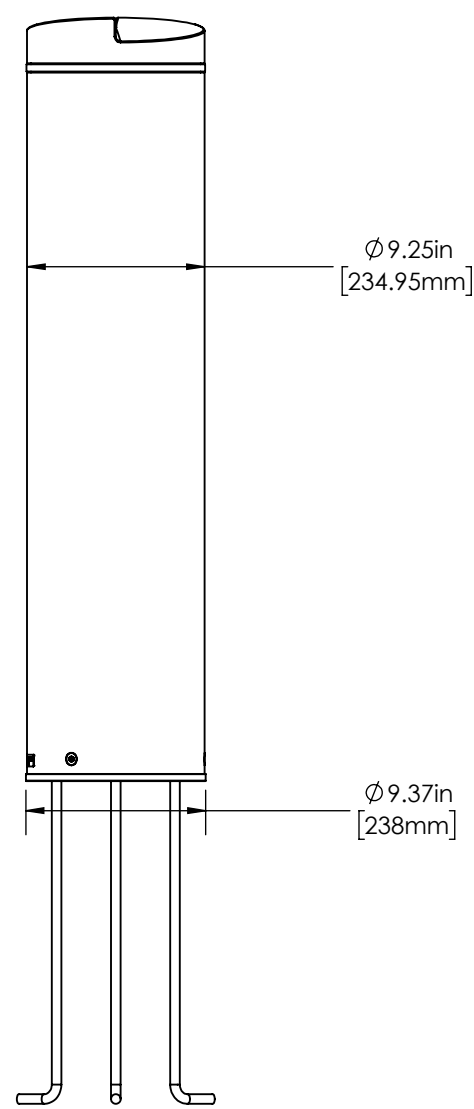
<b>UNLESS OTHERWISE SPECIFIED:</b> 1. PRIMARY DIM. ARE IN INCHES & SECONDARY [DIM] IN MM 2. TOLERANCES FRACTIONAL: ±1/32; ANGULAR/BEND: ±1° TWO PLACE DECIMAL ±.030 THREE PLACE DECIMAL ±.020 3. REMOVE ALL BURRS AND SHARP EDGES				30 Pine Street, Pittsburgh, PA 15223 Tel (412) 781-9003 Fax (412) 781-7840	
	THIRD ANGLE PROJECTION	NAME	DATE	DESCRIPTION:	
		DWN	TPH	10/2/2023	
MATERIAL: VARIOUS		DO NOT SCALE DRAWING		<b>CYRCA BOLLARD, SERIES 900          SURFACE MOUNT</b>	
FINISH: REFER JO		PROPRIETARY AND CONFIDENTIAL			
WEIGHT: 51.293 LBS.		THE INFORMATION CONTAINED IN THIS DRAWING IS THE SOLE PROPERTY OF FORMS + SURFACES. ANY REPRODUCTION IN PART OR AS A WHOLE WITHOUT WRITTEN PERMISSION IS PROHIBITED.			
SCALE: NOT TO SCALE		SIZE	DWG. NO.	REV	SHEET
		B	LBCYR-903-LIT---FLR---SFM	0	1 OF 1



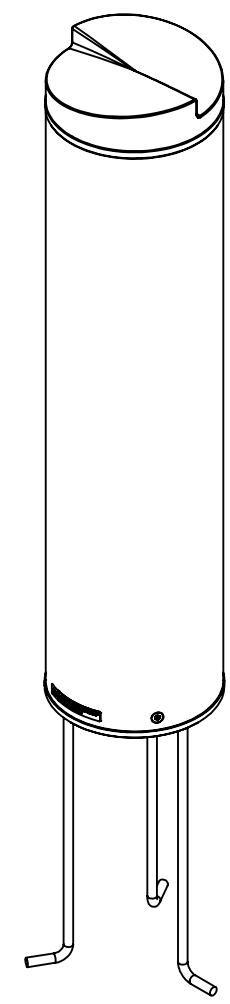
TOP VIEW



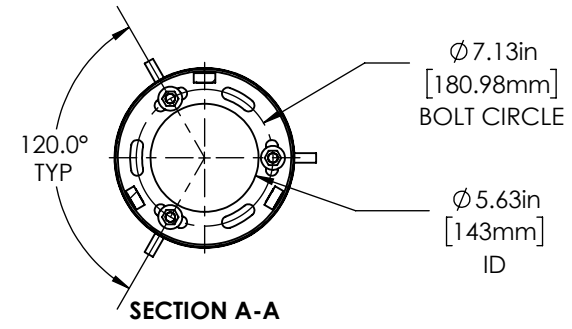
FRONT VIEW



SIDE VIEW



ISO VIEW

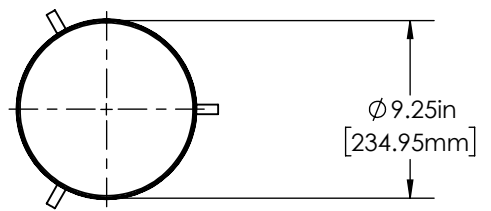


SECTION A-A

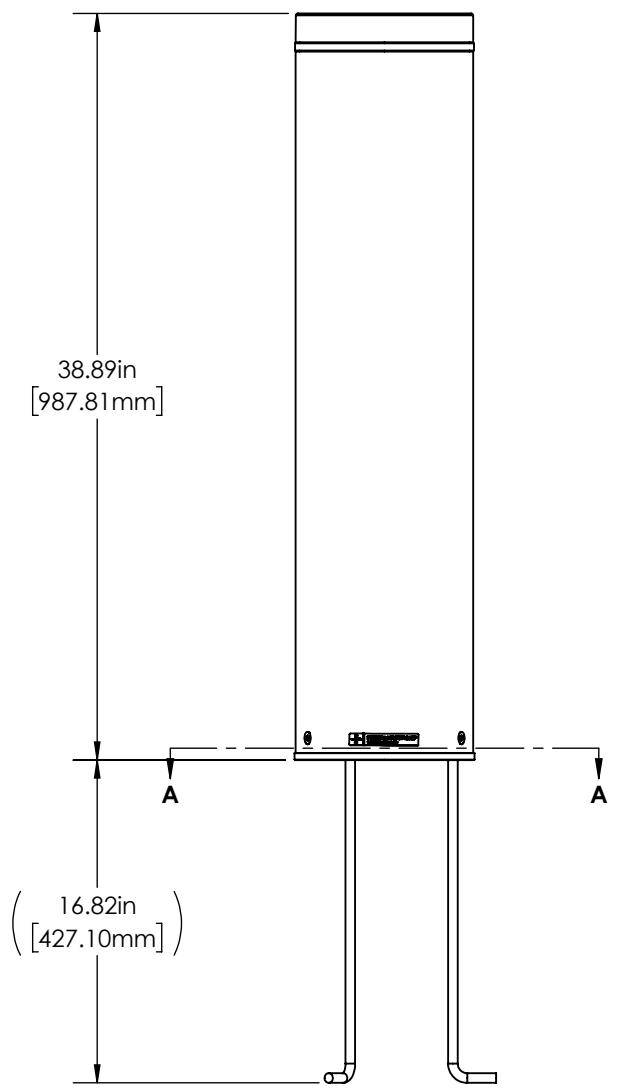
NOTE:

1. MOUNTING DIMENSIONS ARE PROVIDED FOR REFERENCE ONLY. DO NOT INSTALL ANCHORS PRIOR TO RECEIVING PRODUCT ON SITE.

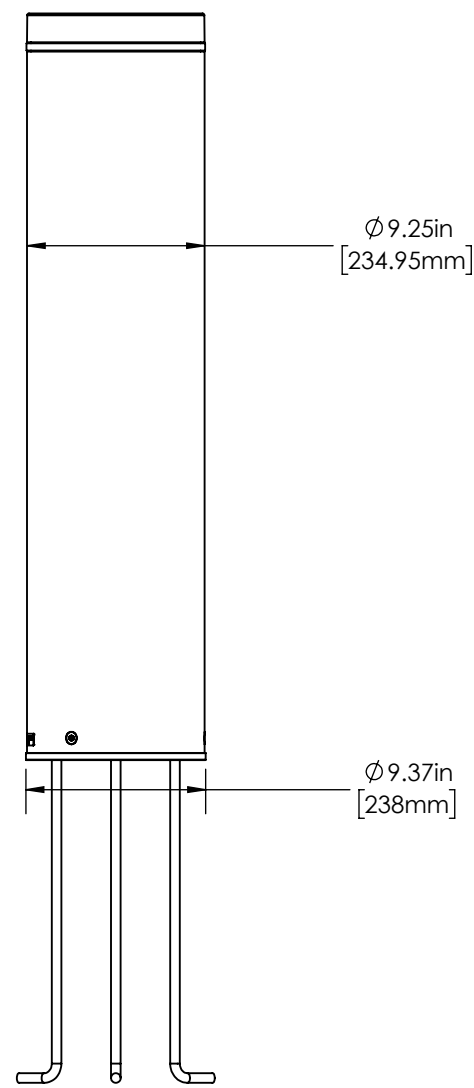
<b>UNLESS OTHERWISE SPECIFIED:</b> 1. PRIMARY DIM. ARE IN INCHES & SECONDARY [DIM] IN MM 2. TOLERANCES FRACTIONAL: ±1/32; ANGULAR/BEND: ±1° TWO PLACE DECIMAL ±.030 THREE PLACE DECIMAL ±.020 3. REMOVE ALL BURRS AND SHARP EDGES				30 Pine Street, Pittsburgh, PA 15223 Tel (412) 781-9003 Fax (412) 781-7840					
	THIRD ANGLE PROJECTION	NAME	DATE	DESCRIPTION:					
MATERIAL: VARIOUS	DO NOT SCALE DRAWING	DWN	TPH	10/2/2023					
FINISH: REFER JO	PROPRIETARY AND CONFIDENTIAL	<b>CYRCA BOLLARD, SERIES 900 SURFACE MOUNT</b>							
WEIGHT: 51.113 LBS.	THE INFORMATION CONTAINED IN THIS DRAWING IS THE SOLE PROPERTY OF FORMS + SURFACES. ANY REPRODUCTION IN PART OR AS A WHOLE WITHOUT WRITTEN PERMISSION IS PROHIBITED.					SIZE	DWG. NO.	REV	SHEET
SCALE: NOT TO SCALE						B	LBCYR-903-LIT---RFT---SFM	0	1 OF 1



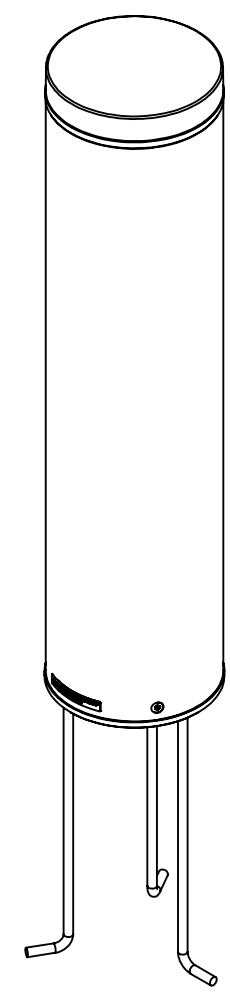
TOP VIEW



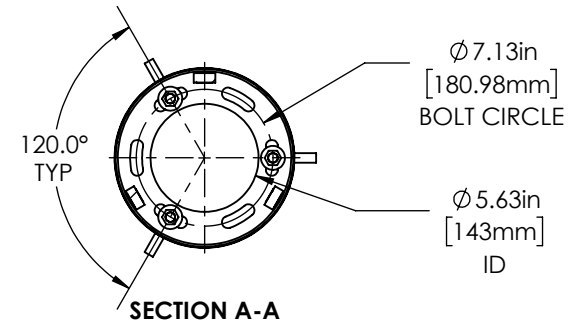
FRONT VIEW



SIDE VIEW



ISO VIEW

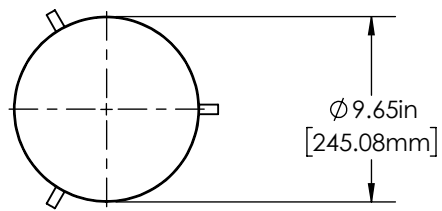


SECTION A-A

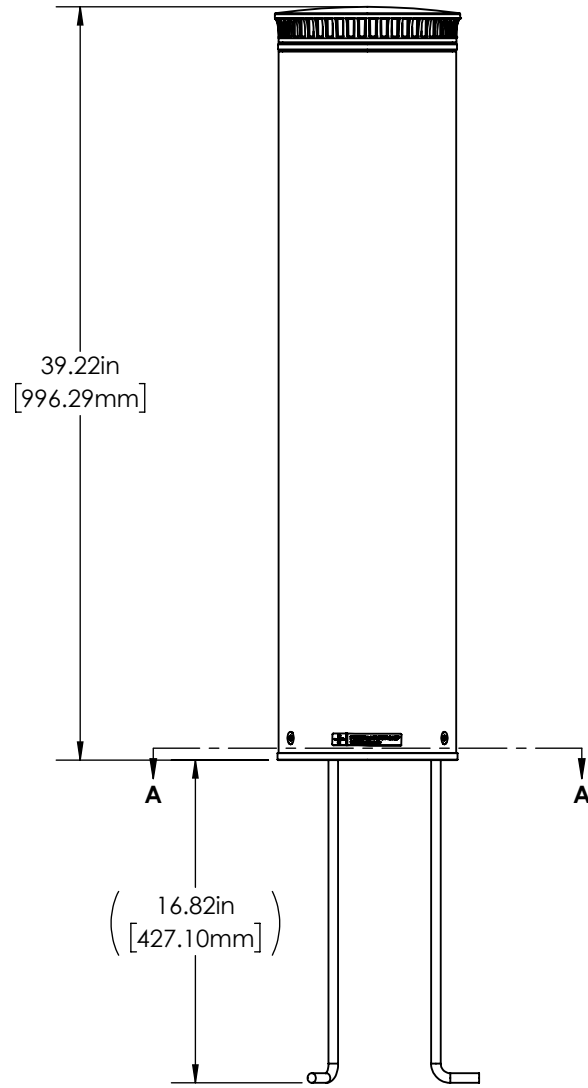
NOTE:

1. MOUNTING DIMENSIONS ARE PROVIDED FOR REFERENCE ONLY. DO NOT INSTALL ANCHORS PRIOR TO RECEIVING PRODUCT ON SITE.

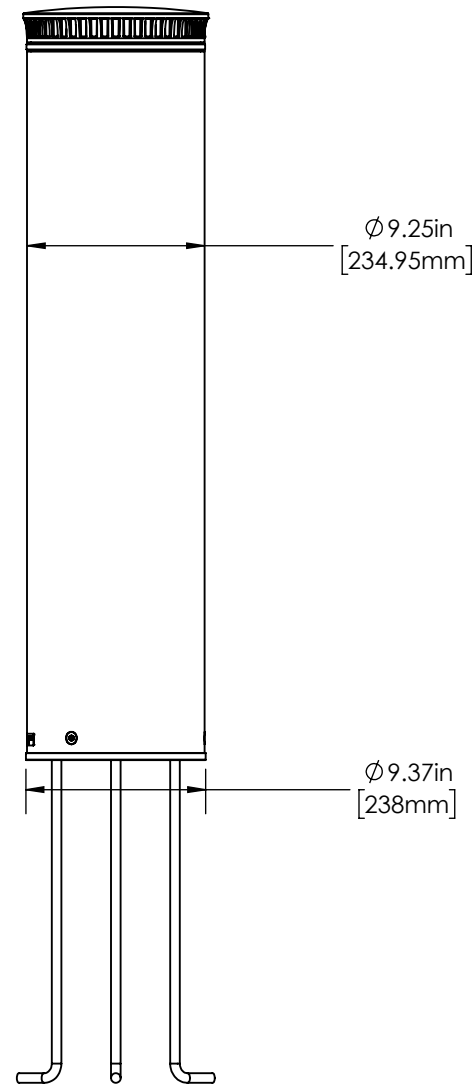
<b>UNLESS OTHERWISE SPECIFIED:</b> 1. PRIMARY DIM. ARE IN INCHES & SECONDARY [DIM] IN MM 2. TOLERANCES FRACTIONAL: ±1/32; ANGULAR/BEND: ±1° TWO PLACE DECIMAL ±.030 THREE PLACE DECIMAL ±.020 3. REMOVE ALL BURRS AND SHARP EDGES				30 Pine Street, Pittsburgh, PA 15223 Tel (412) 781-9003 Fax (412) 781-7840	
	THIRD ANGLE PROJECTION	NAME	DATE	DESCRIPTION:	
MATERIAL: VARIOUS	DO NOT SCALE DRAWING	DWN	TPH	<b>CYRCA BOLLARD, SERIES 900</b> <b>SURFACE MOUNT</b>	
FINISH: REFER JO	PROPRIETARY AND CONFIDENTIAL	REV	SHEET		
WEIGHT: 50.597 LBS.	THE INFORMATION CONTAINED IN THIS DRAWING IS THE SOLE PROPERTY OF FORMS + SURFACES. ANY REPRODUCTION IN PART OR AS A WHOLE WITHOUT WRITTEN PERMISSION IS PROHIBITED.	B	LBCYR-903-LIT-STD-SFM	0	1 OF 1
SCALE: NOT TO SCALE					



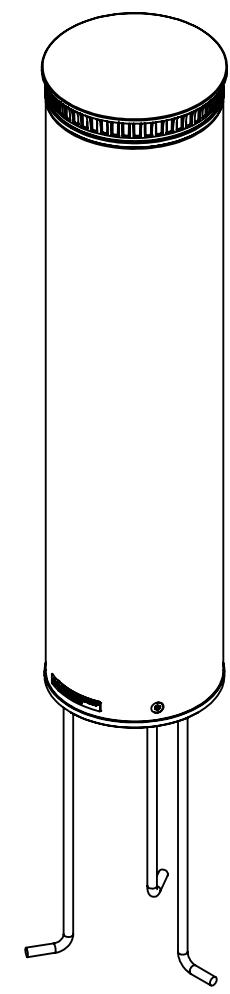
TOP VIEW



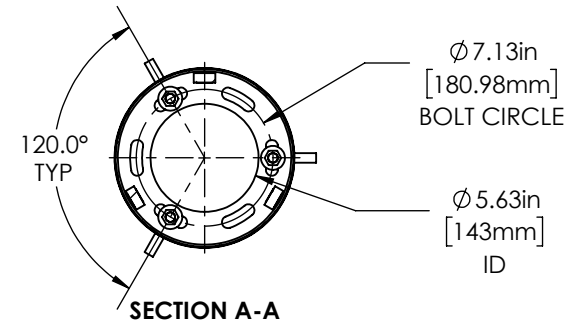
FRONT VIEW



SIDE VIEW



ISO VIEW

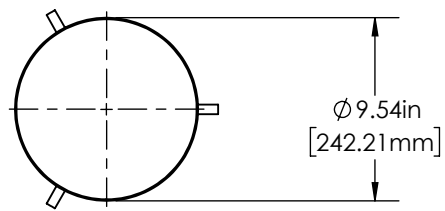


SECTION A-A

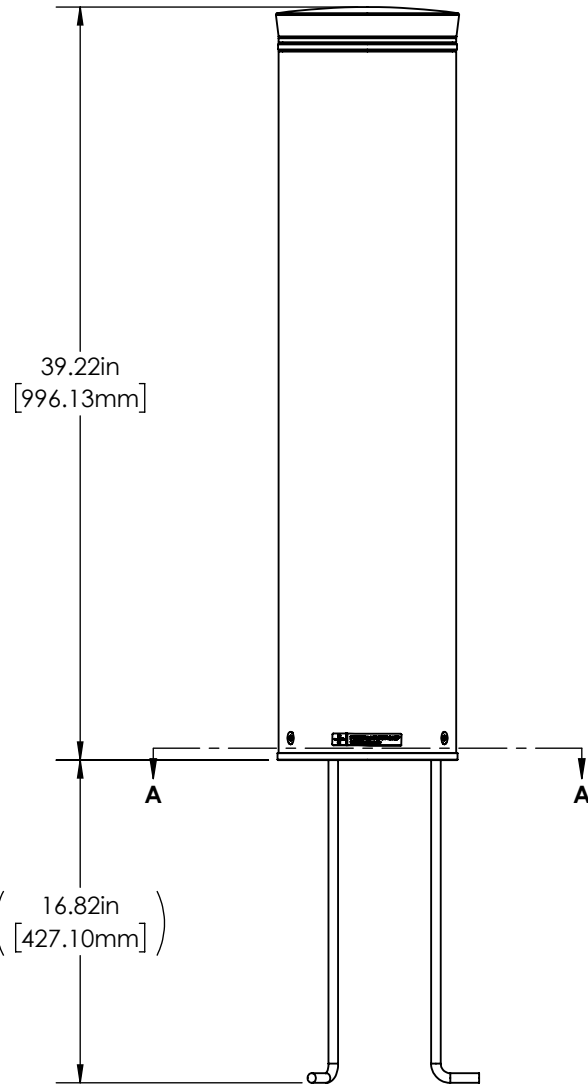
NOTE:

1. MOUNTING DIMENSIONS ARE PROVIDED FOR REFERENCE ONLY. DO NOT INSTALL ANCHORS PRIOR TO RECEIVING PRODUCT ON SITE.

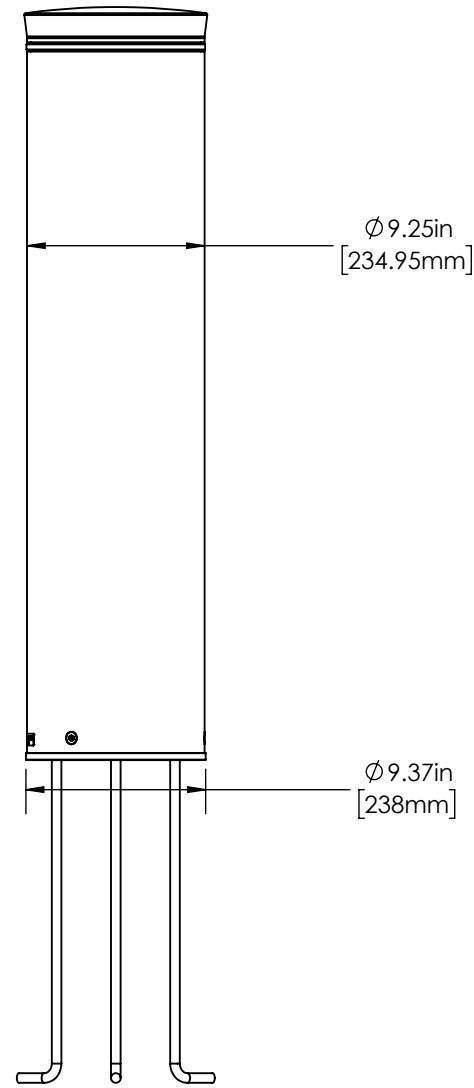
<b>UNLESS OTHERWISE SPECIFIED:</b> 1. PRIMARY DIM. ARE IN INCHES & SECONDARY [DIM] IN MM 2. TOLERANCES FRACTIONAL: ±1/32; ANGULAR/BEND: ±1° TWO PLACE DECIMAL ±.030 THREE PLACE DECIMAL ±.020 3. REMOVE ALL BURRS AND SHARP EDGES		30 Pine Street, Pittsburgh, PA 15223 Tel (412) 781-9003 Fax (412) 781-7840	
THIRD ANGLE PROJECTION	NAME DWN    TPH	DATE 10/2/2023	DESCRIPTION:  <b>CYRCA BOLLARD, SERIES 900          SURFACE MOUNT</b>
MATERIAL: VARIOUS	DO NOT SCALE DRAWING		
FINISH: REFER JO	<b>PROPRIETARY AND CONFIDENTIAL</b> THE INFORMATION CONTAINED IN THIS DRAWING IS THE SOLE PROPERTY OF FORMS + SURFACES. ANY REPRODUCTION IN PART OR AS A WHOLE WITHOUT WRITTEN PERMISSION IS PROHIBITED.		
WEIGHT: 50.447 LBS.	SIZE B	DWG. NO. LBCYR-903-NLIT---DRC---SFM	REV 0
SCALE: NOT TO SCALE			SHEET 1 OF 1



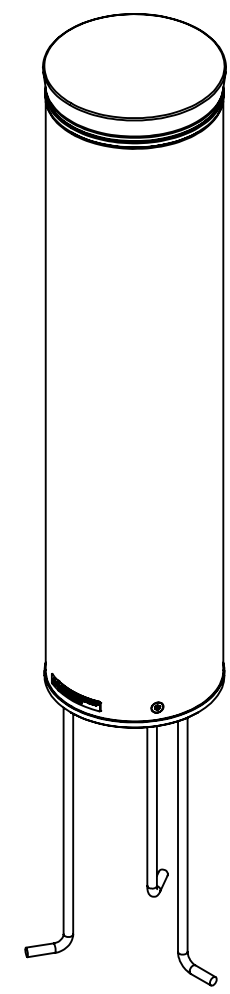
TOP VIEW



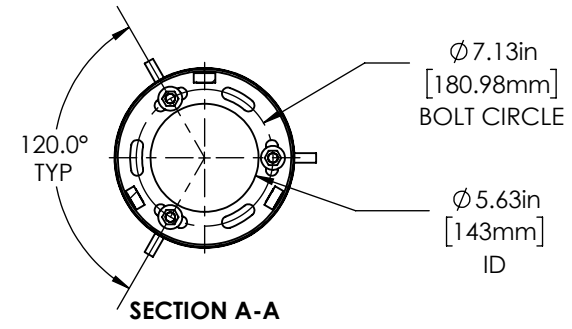
FRONT VIEW



SIDE VIEW



ISO VIEW

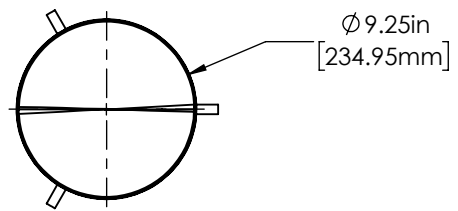


SECTION A-A

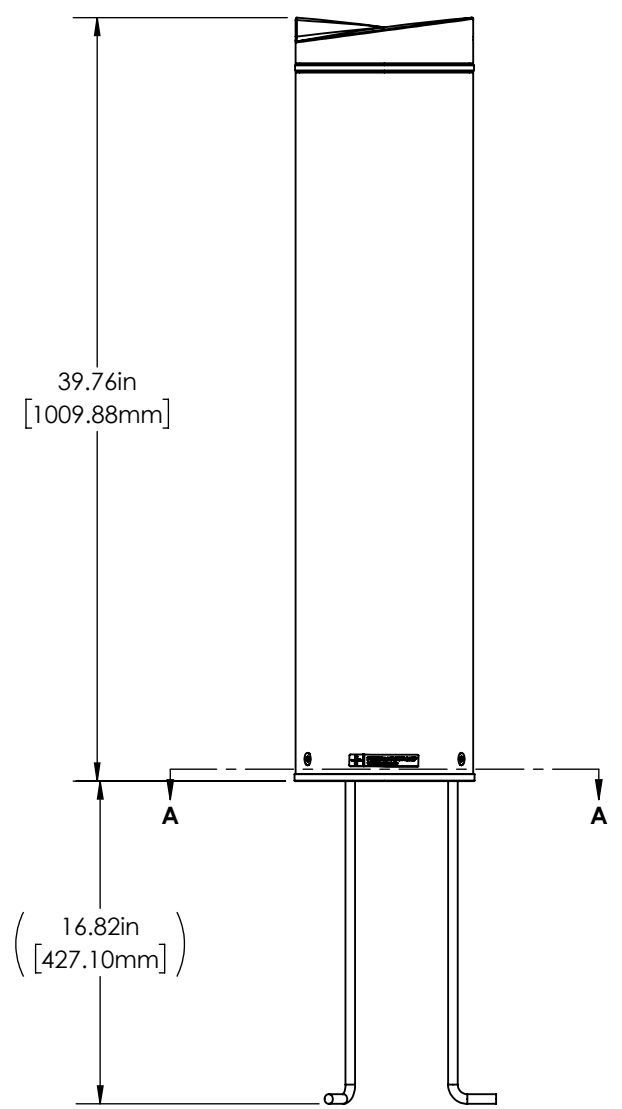
NOTE:

1. MOUNTING DIMENSIONS ARE PROVIDED FOR REFERENCE ONLY. DO NOT INSTALL ANCHORS PRIOR TO RECEIVING PRODUCT ON SITE.

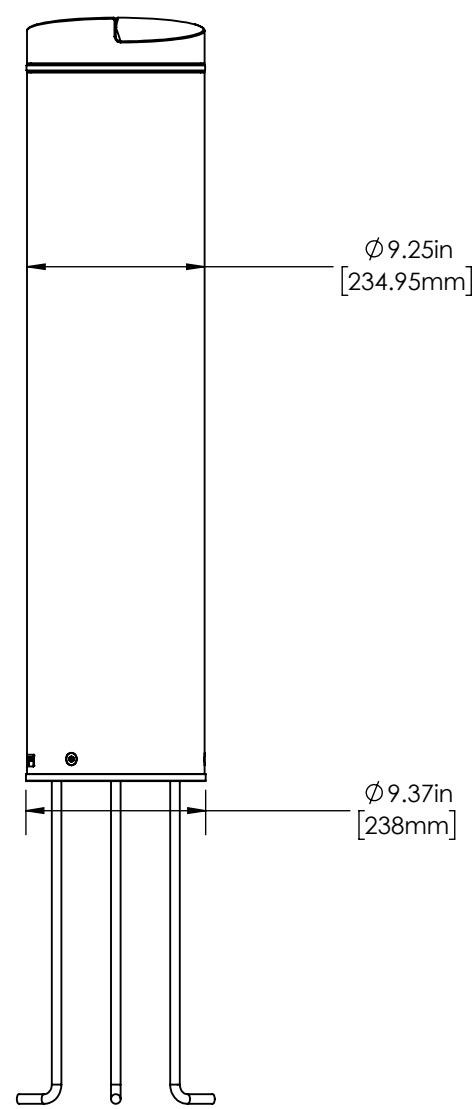
<b>UNLESS OTHERWISE SPECIFIED:</b> 1. PRIMARY DIM. ARE IN INCHES & SECONDARY [DIM] IN MM 2. TOLERANCES FRACTIONAL: ±1/32; ANGULAR/BEND: ±1° TWO PLACE DECIMAL ±.030 THREE PLACE DECIMAL ±.020 3. REMOVE ALL BURRS AND SHARP EDGES				30 Pine Street, Pittsburgh, PA 15223 Tel (412) 781-9003 Fax (412) 781-7840	
	THIRD ANGLE PROJECTION	NAME	DATE	DESCRIPTION:	
MATERIAL: VARIOUS	DO NOT SCALE DRAWING	DWN	TPH	<b>CYRCA BOLLARD, SERIES 900</b> <b>SURFACE MOUNT</b>	
FINISH: REFER JO	PROPRIETARY AND CONFIDENTIAL	REV	SHEET	SIZE B DWG. NO. LBCYR-903-NLIT--FLR--SFM 0 1 OF 1	
WEIGHT: 50.799 LBS.	THE INFORMATION CONTAINED IN THIS DRAWING IS THE SOLE PROPERTY OF FORMS + SURFACES. ANY REPRODUCTION IN PART OR AS A WHOLE WITHOUT WRITTEN PERMISSION IS PROHIBITED.				
SCALE: NOT TO SCALE					



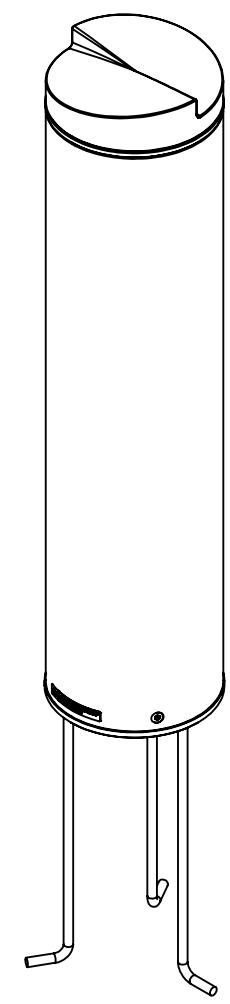
TOP VIEW



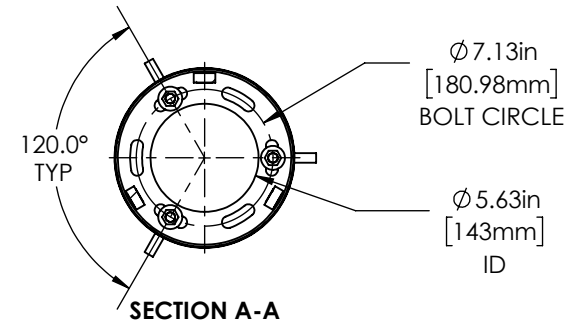
FRONT VIEW



SIDE VIEW



ISO VIEW

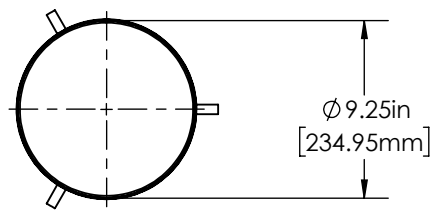


SECTION A-A

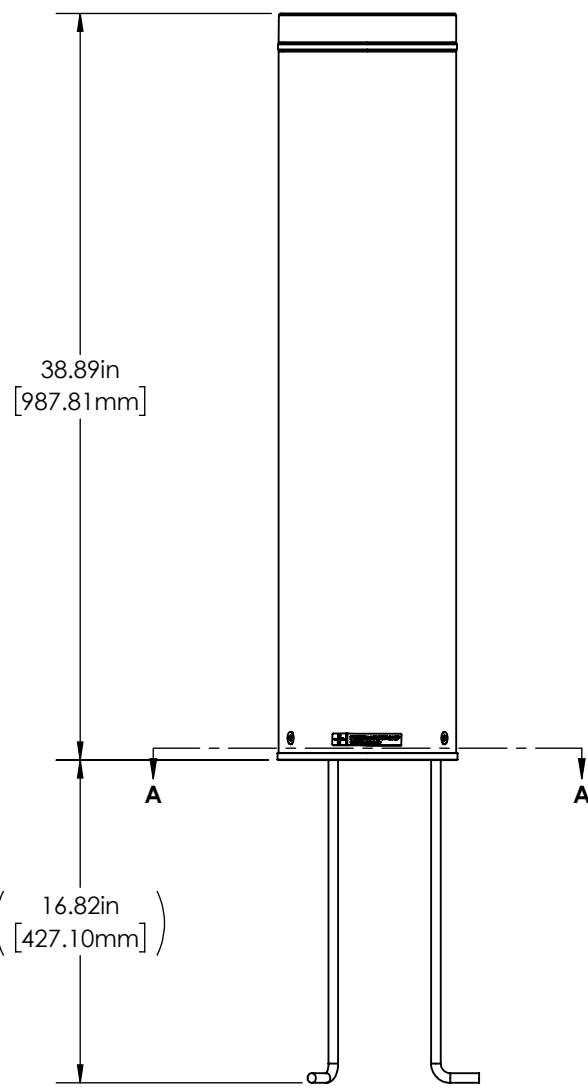
NOTE:

1. MOUNTING DIMENSIONS ARE PROVIDED FOR REFERENCE ONLY. DO NOT INSTALL ANCHORS PRIOR TO RECEIVING PRODUCT ON SITE.

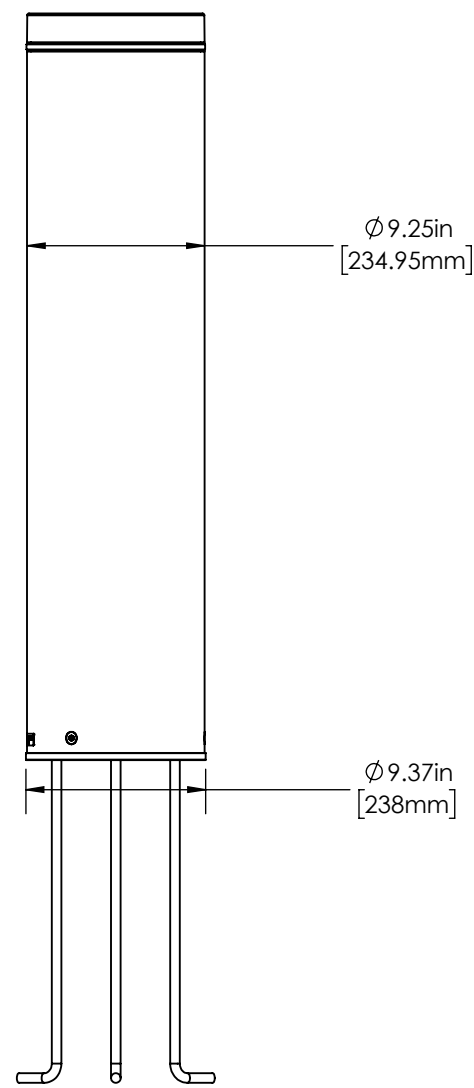
<b>UNLESS OTHERWISE SPECIFIED:</b> 1. PRIMARY DIM. ARE IN INCHES & SECONDARY [DIM] IN MM 2. TOLERANCES FRACTIONAL: ±1/32; ANGULAR/BEND: ±1° TWO PLACE DECIMAL ±.030 THREE PLACE DECIMAL ±.020 3. REMOVE ALL BURRS AND SHARP EDGES				30 Pine Street, Pittsburgh, PA 15223 Tel (412) 781-9003 Fax (412) 781-7840					
	THIRD ANGLE PROJECTION	NAME	DATE	DESCRIPTION:					
MATERIAL: VARIOUS	DO NOT SCALE DRAWING	DWN	TPH	10/2/2023					
FINISH: REFER JO	PROPRIETARY AND CONFIDENTIAL	<b>CYRCA BOLLARD, SERIES 900 SURFACE MOUNT</b>							
WEIGHT: 50.620 LBS.	THE INFORMATION CONTAINED IN THIS DRAWING IS THE SOLE PROPERTY OF FORMS + SURFACES. ANY REPRODUCTION IN PART OR AS A WHOLE WITHOUT WRITTEN PERMISSION IS PROHIBITED.					SIZE	DWG. NO.	REV	SHEET
SCALE: NOT TO SCALE						B	LBCYR-903-NLIT--RFT--SFM	0	1 OF 1



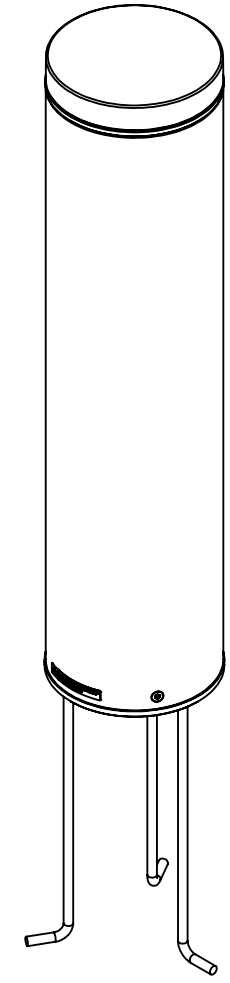
TOP VIEW



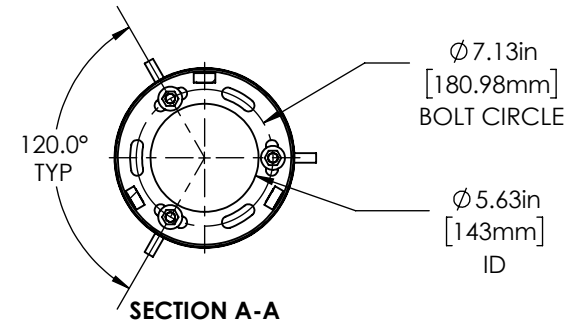
FRONT VIEW



SIDE VIEW



ISO VIEW



SECTION A-A

NOTE:

1. MOUNTING DIMENSIONS ARE PROVIDED FOR REFERENCE ONLY. DO NOT INSTALL ANCHORS PRIOR TO RECEIVING PRODUCT ON SITE.

<b>UNLESS OTHERWISE SPECIFIED:</b> 1. PRIMARY DIM. ARE IN INCHES & SECONDARY [DIM] IN MM 2. TOLERANCES FRACTIONAL: ±1/32; ANGULAR/BEND: ±1° TWO PLACE DECIMAL ±.030 THREE PLACE DECIMAL ±.020 3. REMOVE ALL BURRS AND SHARP EDGES				30 Pine Street, Pittsburgh, PA 15223 Tel (412) 781-9003 Fax (412) 781-7840					
	THIRD ANGLE PROJECTION	NAME	DATE	DESCRIPTION:					
MATERIAL: VARIOUS	DO NOT SCALE DRAWING	DWN	TPH	10/2/2023					
FINISH: REFER JO	PROPRIETARY AND CONFIDENTIAL	<b>CYRCA BOLLARD, SERIES 900 SURFACE MOUNT</b>							
WEIGHT: 50.104 LBS.	THE INFORMATION CONTAINED IN THIS DRAWING IS THE SOLE PROPERTY OF FORMS + SURFACES. ANY REPRODUCTION IN PART OR AS A WHOLE WITHOUT WRITTEN PERMISSION IS PROHIBITED.					SIZE	DWG. NO.	REV	SHEET
SCALE: NOT TO SCALE						B	LBCYR-903-NLIT---STD---SFM	0	1 OF 1