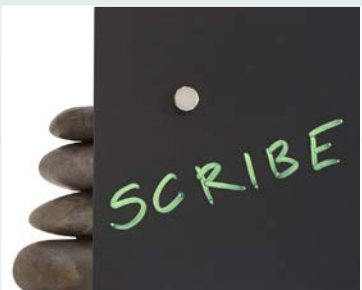
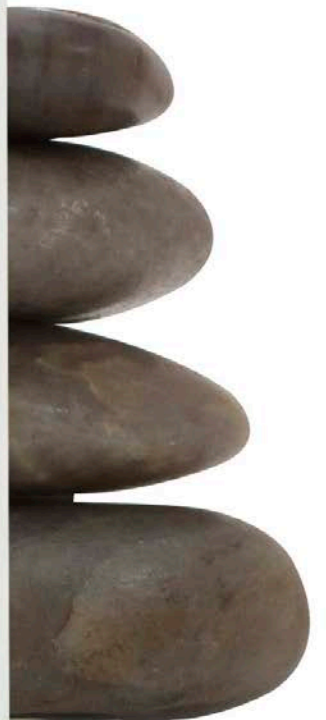




SCRIBE





VIVICHROME™ SCRIBE™

PRODUCT DATA

ViviChrome Scribe architectural glass offers spectacular performance as a creative wall or desktop writing board. Scribe is available single-sided or double-sided and in two standard colors: Ultra White and Blackboard. Colors are completely opaque; single-sided Scribe can be installed using standard mirror mastic. Intended for use with dry erase markers and/or magnets.

PRODUCT FEATURES

- Suitable for interior and exterior applications; magnetic configurations suitable for interior applications only.
- Requires minimal maintenance: with color inside the glass, rather than surface-applied, glass surfaces are easy to clean.
- Easy to install and maintain.
- Manufactured to specification and provided cut to size and ready to install.

MATERIAL DESCRIPTION

ViviChrome Scribe is defined by three parameters that are key to product specification:

| CONFIGURATION | COLOR INTERLAYER | FINISH |
|--|--|--|
| Refers to single-sided or double-sided configurations. Both are available in magnetic or non-magnetic options. | Two standard color interlayer options are available: Ultra White and Blackboard. Colors can also be added from the Pantone, Benjamin Moore or Sherwin Williams color catalogs. See page 3 for details. | Defines the surface appearance of your glass selection. ViviChrome Scribe finish options include Pearlex and Standard. Refer to page 4 for complete finish descriptions. |

PRODUCTS & APPLICATIONS

| GLASS LITES | CABFORMS® ELEVATOR INTERIORS | LEVEL® WALL SYSTEM |
|--|--|--|
| ViviChrome Scribe is ideal for architectural accents such as columns, partitions, or other desired custom applications. Processing options include polished edges, tempering, notches, cutouts and pattern cuts. Scribe can be specified in any size up to 60" x 120" (1524 mm x 3048 mm). Please contact us for information on larger custom sizes. | ViviChrome Scribe is available as a standard inset option in our Series 2000 CabForms Elevator Interiors. | ViviChrome Scribe is available as a standard inset option in our LEVEL Wall System when specifying Capture or Blind panel types. |
| GLASS HARDWARE | LEVEL® ELEVATOR INTERIORS | DOORS |
| A variety of Glass Hardware components are available for use with ViviChrome Scribe glass. See page seven for available options. Please refer to the Glass Hardware Product Data Sheets for additional information. | ViviChrome Scribe is available as a standard inset option in LEVEL Elevator Interiors when using Capture panel frames. | ViviChrome Scribe can be specified for Glass Doors. |

GLASS CHARACTERISTICS

| SAFETY | FIRE RATING | PROFILE |
|--|--|---|
| ViviChrome Scribe is available in annealed, tempered or heat strengthened glass. We recommend heat strengthening for glass over 50 square feet. Tempering is required for glass with holes and cutouts. For questions about glass strengthening and safety, please contact us. | ViviChrome Scribe glass is Class A fire rated in accordance with ASTM designation E84-09, standard test method of surface burning characteristics of building materials. The foregoing test procedure is comparable to UL 723, ANSI/NFPA No. 255, and UBC No. 8-1. | ViviChrome Scribe glass can be made to fit a flat or curved profile. Curved profiles are subject to certain limitations. If a curved profile is needed, please consult one of our representatives to discuss guidelines and documentation needed for specification. |

HOW TO SPECIFY

A Design Guide is available to lead you through the specification process in a simple, checkbox format. The Design Guide captures all the information needed to generate a quote: configuration, finish, magnetic or non-magnetic, color, as well as other options.



CONFIGURATION OPTIONS

SINGLE-SIDED



Single-sided ViviChrome Scribe consists of a color interlayer between a transparent lite of glass and an opaque glass backer.

Typical Applications: Single-sided Scribe is ideal for applications where glass will be used against another surface, for example, LEVELe® and CabForms® Series 2000 Elevator Interiors, LEVELe Wall Systems, or custom fabrications.

(Configuration shown: ViviChrome Scribe, Ultra White, Magnetic)

DOUBLE-SIDED



Double-sided ViviChrome Scribe consists of a color interlayer between two transparent lites of glass. If the magnetic option is selected, both sides will be magnetic.

Typical Applications: Double-sided Scribe is ideal for use as partitions, doors and in other applications where viewing from both sides is desired.

(Configuration shown: ViviChrome Scribe, Ultra White, Non-Magnetic)



VIVICHROME™ SCRIBE™

PRODUCT DATA

STANDARD INTERLAYER COLORS

ViviChrome Scribe is available in two standard colors. In addition to the standard offerings, we are able to color match any Pantone, Benjamin Moore or Sherwin Williams color.



ULTRA WHITE





BLACKBOARD



FINISH OPTIONS

Glass finish defines the surface appearance of your glass selection. The different options vary in levels of diffusion, reflectivity, glare and optical distortion, and provide unique solutions for the needs of each individual project. Please refer to the chart below for the characteristics of the available glass finishes.

| PEARLEX™ | |
|--|--|
|  | <p>Surface: Lightly textured Diffusion: Minimal Reflectivity: Non-reflective Glare: Minimal glare Optical distortion: Minimal Maintenance: Fingerprint resistant; exceptionally easy to clean Durability: Highly durable; extremely scratch-resistant Can incorporate logos, photos, text or graphic art *When using Pearlex as a projecting surface, focus the projector prior to viewing on Pearlex glass surface for best results.</p> |
| STANDARD | |
|  | <p>Surface: Smooth Diffusion: None Reflectivity: Reflective Glare: High glare Optical distortion: None Maintenance: Easy to clean Durability: Durable Can incorporate logos, photos, text or graphic art</p> |



ACCESSORIES

We offer a variety of accessories to complete your ViviChrome Scribe glass installation. Magnets and marker trays can be selected on the ViviChrome Scribe Design Guide. Markers and cleaners can be purchased from most retail office supply stores.

MAGNETS

Cylinder

Material: Nickel-plated Rare Earth magnet

Size: 7/16" diameter x 3/8" height

Strength: N42

Max. sheets of paper held: 9 on Standard and Pearlex finishes



Cube

Material: Nickel-plated Rare Earth magnet

Size: 3/8" x 3/8" x 3/8"

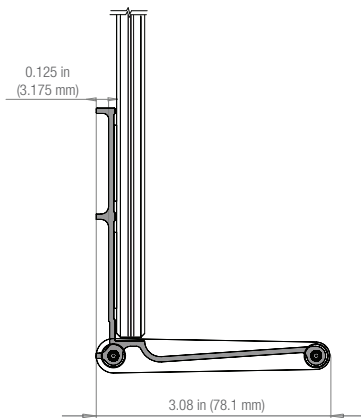
Strength: N42

Max. sheets of paper held: 6 on Standard finish and 7 on Pearlex finish



MARKER TRAYS

Our marker trays are designed to integrate seamlessly with standard configurations of ViviChrome Scribe glass up to 0.4 inches (10 mm) thick. The marker trays can be used with our slim profile mounting cleat.



MARKER RECOMMENDATIONS

- We recommend using standard dry erase markers, such as Expo® Dry Erase or Staples® Remarkx markers on ViviChrome Scribe.
- For more vibrant colors and a cleaner line, Expo Wet Erase markers can be used.

MAINTENANCE

- ViviChrome Scribe can be cleaned using any glass cleaner and a microfiber towel, Expo disposable wipes or Windex® disposable wipes. Staples Remarkx™ markers can be dry erased with a microfiber towel or standard white board eraser.

Expo® is a registered trademark of Sanford, Oak Brook, IL; Windex® is a registered trademark of S. C. Johnson & Son, Inc.; Staples® and Remark™ are registered trademarks of Staples, Inc.



HARDWARE OPTIONS

We offer several different hardware options: mounting clamps and a slim profile mounting cleat are shown below. As dictated by your specific application and preferences, either option is available with all standard glass thicknesses. Both of the options below allow you to mount any VividGlass product to any existing wall without the use of through holes, eliminating the need for tempering.

| MOUNTING CLAMPS | SLIM PROFILE MOUNTING CLEAT |
|--|---|
| <ul style="list-style-type: none"> VividGlass mounting clamps are constructed of solid stainless steel with a Satin finish, and a Neoprene cushion lines the inside surfaces of each clamp. The front of each clamp is visible from the front of the glass. There are two different adjustable clamp sizes to accommodate varying glass thicknesses. Configuration one accommodates total glass thicknesses ranging from 0.281" to 0.421". Configuration two accommodates total glass thicknesses ranging from 0.451" to 0.625". VividGlass mounting clamps should be installed with 3/16" diameter flathead fasteners. It is the installer's responsibility to determine the specific fastener that is appropriate for their application. A 1/8" Allen key is needed to adjust the position of the glass clamp. VividGlass mounting clamps are designed to mount along the top and bottom edges of a lite of glass. Clamps should be placed at each corner and at four foot intervals in most mounting situations. Glass being mounted to drywall and some other substrates may require additional clamps. It is the installer's responsibility to determine the appropriate mounting requirements. | <ul style="list-style-type: none"> When the mounting cleat option is selected, glass is attached to the wall using an interlocking extrusion system. There is no visible profile from the front of the glass. The mounting cleat is two pieces of extruded aluminum that attach to the back of the glass and to the existing wall. The extrusion on the back of the glass is attached using structural glazing tape. This creates a channel to engage with the second extrusion, which is fastened to the existing wall using the appropriate mounting hardware. It is the installer's responsibility to determine the specific hardware that is appropriate for the existing wall or substrate. The mounting cleat is easy-to-install and arrives pre-mounted to your glass selection. |
| <p>CLAMP PROFILE - CONFIGURATION ONE</p> <p>0.28 in (7.1 mm) 0.42 in (10.7 mm)</p> <p>0.86 in (21.8 mm) 1.0 in (25.4 mm)</p> <p>CONTRACTED EXTENDED</p> | <p>CLEAT PROFILE - INSTALLED</p> <p>0.59 in (15.0 mm) 0.25 in (6.35 mm)</p> <p>4.34 in (110.2 mm) 4.34 in (110.2 mm)</p> <p>Vivichrome Scribe glass (shown in single-sided magnetic configuration)</p> <p>Structural Glazing Tape</p> <p>Mounting Cleat</p> |
| <p>CLAMP PROFILE - CONFIGURATION TWO</p> <p>0.45 in (11.5 mm) 0.625 in (15.9 mm)</p> <p>1.03 in (26.2 mm) 1.21 in (30.7 mm)</p> <p>CONTRACTED EXTENDED</p> | |



HARDWARE OPTIONS

ViviChrome Scribe glass is available with a variety of different hardware options. Please contact our project management team for help with project-specific requirements. All options are suitable for interior use.

| | | |
|---|---|--|
| SLOT MOUNT STANDOFF | | <ul style="list-style-type: none"> • Designed for mounting glass vertically or horizontally without drilling holes in the glass • Available in five finishes: Polished Brass, Polished Gun Metal, Polished Chrome, Satin Chrome and Satin Stainless Steel • Accommodates three different glass thicknesses: 1/4" (6.3 mm), 3/8" (9.5 mm), 1/2" (12.7 mm) |
|  |  | |
| EDGE GRIP STANDOFF | | <ul style="list-style-type: none"> • Designed for mounting glass to walls or other vertical substrates without drilling holes in the glass • Available in five finishes: Polished Brass, Polished Gun Metal, Polished Chrome, Satin Chrome and Satin Stainless Steel • Accommodates three different glass thicknesses: 1/4" (6.3 mm), 3/8" (9.5 mm), 1/2" (12.7 mm) |
|  |  | |
| ROUND STANDOFF | | <ul style="list-style-type: none"> • Designed for mounting glass vertically or horizontally • Eight different base lengths are available • Regardless of base length, holes must be drilled in the glass for assembly • Available in six finishes: Polished Brass, Polished Gun Metal, Polished Stainless Steel, Satin Stainless Steel, Satin Chrome and Polished Chrome • Accommodates three different glass thicknesses: 1/4" (6.3 mm), 3/8" (9.5 mm), 1/2" (12.7 mm) |
|  |  | |
| SPIDER FITTING | | <ul style="list-style-type: none"> • Designed for mounting glass to walls, posts, other structural substrates with minimal visible connections • Holes must be drilled in the glass for assembly • Available in two finishes: Satin Stainless Steel and Polished Stainless Steel • Available in 1-, 2-, 3- and 4-arm configurations • Accommodates glass thicknesses between 1/2" (12 mm) and 13/16" (20 mm) |
|  |  | |
| SQUARE MALL CLAMP | | <ul style="list-style-type: none"> • Designed for joining vertical lites of glass without drilling holes in the glass • Available in three finishes: Polished Brass, Satin Stainless Steel and Polished Stainless Steel • Accommodates glass thicknesses between 3/8" (9.5 mm) and 3/4" (19 mm) |
|  |  | |
| TAPERED RAIL SYSTEM | | <ul style="list-style-type: none"> • Designed to secure fixed glass panels in various layouts without drilling holes in the glass • Available in six finishes: Polished Brass, Polished Stainless Steel, Satin Stainless Steel, Satin Anodized, Black Bronze Anodized and Black Powdercoat • Accommodates two different glass thicknesses: 3/8" (9.5 mm) and 1/2" (12.7 mm) |
|  |  | |



SOUND ATTENUATION

Shear damping by the VividGlass interlayer improves acoustical performance over a wide audible-frequency range and practically eliminates the coincidence dip typical of architectural glass in the 1,000 to 2,000 Hertz band—where significant levels of general environmental noise occur.

For Sound Transmission Class (STC) and Sound Transmission Loss (TL) information, please refer to the enclosure to the table below.

| GLASS MAKEUP | | FREQUENCY (HZ) | | | | | | | | | | | | | | | | | | |
|------------------|-----------------|----------------|-----|-----|-----|-----|-----|-----|-----|-----|-----|------|------|------|------|------|------|------|------|-----------|
| GLASS TYPE | TOTAL THICKNESS | 100 | 125 | 160 | 200 | 250 | 315 | 400 | 500 | 630 | 800 | 1000 | 1250 | 1600 | 2000 | 2500 | 3150 | 4000 | 5000 | STC |
| LAMINATED GLASS | 7.7 mm (5/16") | 25 | 26 | 27 | 28 | 28 | 29 | 30 | 33 | 34 | 35 | 36 | 37 | 37 | 37 | 36 | 38 | 42 | 46 | 35 |
| LAMINATED GLASS | 13.7mm (9/16") | 26 | 29 | 28 | 30 | 33 | 33 | 35 | 36 | 37 | 38 | 38 | 37 | 38 | 41 | 44 | 47 | 51 | 54 | 39 |
| MONOLITHIC GLASS | 6 mm (1/4") | 23 | 25 | 25 | 24 | 28 | 26 | 29 | 31 | 33 | 34 | 34 | 35 | 34 | 30 | 27 | 32 | 37 | 41 | 31 |
| MONOLITHIC GLASS | 12 mm (1/2") | 26 | 30 | 26 | 30 | 33 | 33 | 34 | 36 | 37 | 35 | 32 | 32 | 36 | 40 | 43 | 46 | 50 | 51 | 36 |

ULTRA-VIOLET SCREENING

VividGlass transmits less than one-tenth of one percent of UV. It blocks over 99.5% of solar radiation at wavelengths 380 NM and below, where by comparison, 1/4" clear float glass transmits over 70%.

RECEIVING, STORAGE, HANDLING, PROTECTION, AND MAINTENANCE

| ORDERING | RECEIVING |
|--|--|
| <ul style="list-style-type: none"> Plan the order to avoid off-site storage and to minimize rehandling and time in storage at the job site before installation. Prepare boxing, trailer and floor loading schedules in consideration of weight limitations and handling and distribution needs. | <ul style="list-style-type: none"> VividGlass is sold and shipped on an F.O.B. FACTORY basis. Inspect all glass upon arrival. Before unloading, inspect handling equipment, rigging and surrounding conditions for safety compliance and inspect the general condition of the shipment for load shifting or possible damage in transit. Inspect the shipment for any shortage, abuse, wetness or other transit damage; note such on the bill of lading or delivery ticket and obtain the driver's signature as acknowledgment. Inventory received materials; immediately report any shortage to VividGlass and report concealed damage to the carrier. If necessary, file a written freight claim with the carrier and order replacement glass from VividGlass. |
| STORAGE | HANDLING |
| <ul style="list-style-type: none"> Store indoors at moderate temperature (above the dew point). If outdoor storage is required, shade from direct sunlight and cover with tarpaulins or plastic (for plastic, particularly, allow for air circulation in and around the cases—condensation can lead to glass surface staining). Support both sides of vertically stored cases. Wet glass must be towel dried prior to storage as prolonged moisture exposure can cause permanent surface staining. | <ul style="list-style-type: none"> During handling, wear hard-hats, safety shoes, gloves, and glazing gauntlets and follow all established safety procedures. Remove the lid of the crate and unpack lite-by-lite; never end-pick glass or move partially unpacked cases. Exercise care to prevent damage to the glass; edge damage may lead to thermally associated glass breakage after installation. Cushion lites at bottom-edge quarter points on soft, firm blocks, free from glass chips, dirt or foreign matter. Stack glass on edge and lean against a structural column or other sturdy upright or rack at an angle of five to seven degrees from vertical; place interleaving between lites. Never slide one lite against another. Check finished surfaces and glass edges for damage before installation; set only acceptable material. |
| PROTECTION | MAINTENANCE |
| <ul style="list-style-type: none"> Install finished materials after potentially damaging construction activities nearby—such as welding, sandblasting and fireproofing—have been completed. If the construction schedule does not allow for this, protect the glazing from damage by other processes. Immediately after glass is set, identify the openings with streamers or ribbons suitably attached to the framing or surround and held free from the glass; do apply warning markers directly to the glass. | <ul style="list-style-type: none"> Shortly after glazing, remove grease or excess glazing materials by cleaning the glass with commercial solvents such as mineral spirits or naphtha, followed by a normal wash and rinse. Never use fluoride salts or hydrogen-fluoride producing compounds to wash the glass or surrounding surfaces; avoid use of razor blades or abrasive cleansers. Use soft, clean, grit-free cloths and a mild soap, detergent or slightly acidic solution for normal washing, rinse with clean water, and squeegee dry; ordinary commercial window-washing techniques are appropriate. Remove any stains from weathering steel by washing frequently during the weathering period (according to the steel manufacturer's recommendations). Remove any runoff from concrete, stucco or other alkaline materials by frequent window washing. |



PRODUCT PERFORMANCE-COMPLIANCE WITH STANDARDS

VividGlass architectural glass complies with all major building codes as laminated safety glass and meet the following U.S. industry standards:

| GLASS QUALITY | SAFETY GLAZING |
|---|--|
| <ul style="list-style-type: none"> • ASTM C1036—Specification for Flat Glass • ASTM C1048—Specification for Heat-Treated Flat Glass—Kind HS, Kind FT Coated and Uncoated Glass where heat treated glass is specified • ASTM C1172—Specification for Laminated Architectural Flat Glass augmented by VividGlass inspection guidelines for laminated glass, and level CBA rated in accordance with ASTM E-773—Test Method for Seal Durability of Sealed Insulating Glass Units • ASTM C1172-03—Specification for Maximum Allowable Overall Bow and Warp for Laminated other than Annealed Transparent Glasses • ASTM E-774—Specification for Sealed Insulating Glass Units where insulating glass is specified | <ul style="list-style-type: none"> • ANSI Z-97.1-Safety Performance Specifications and Methods of Test for Safety Glazing Material Used in Buildings • CPSC 16 CFR 1201-Safety Standard for Architectural Glazing Materials, Category I and II |

VividGlass architectural glass complies with and meet the following Canadian industry standards:

| GLASS QUALITY | SAFETY GLAZING |
|---|---|
| <ul style="list-style-type: none"> • CAN/CGSB-12.1-M – Specification for M90 Tempered or Laminated Glass | <ul style="list-style-type: none"> • CAN/CGSB-12.1-M – Safety Performance Specifications and Methods of Test for Safety Glazing Material Used in Buildings |

GLASS DIMENSIONAL TOLERANCES

Units in the following table are expressed in inches (millimeters). Dimensional tolerances for length and width include any flare or mismatch. Closer tolerances may be achieved if required [for example, finished dimensional tolerances for frameless doors are +0", -1/16" (+0mm, -1.6mm)].

| NOMINAL THICKNESS GLASS, INTERLAYER | THICKNESS RANGE | DIMENSIONAL ANNEALED | TOLERANCES STRENGTHENED |
|--|------------------------------|------------------------------|------------------------------|
| 9/32 (6.9) 2 lts 1/8, 0.037 (3, 0.9) | 0.267–0.305 (6.74–7.70) | +5/32, -1/16 (+4.0, -1.6) | +7/32, -3/32 (+5.6, -2.4) |
| 5/16 (7.7) 2 lts 1/8, 0.067 (3, 1.7) | 0.297–0.335 (7.54–8.50) | N/A | +7/32, -3/32 (+5.6, -2.4) |
| 13/32 (10.9) 2 lts 3/16, 0.037 (5, 0.9) | 0.397–0.435 (10.04–11.00) | +1/4, -1/16 (+6.4, -1.6) | +1/4, -1/8 (+6.4, -3.2) |
| 7/16 (11.7) 2 lts 3/16, 0.067 (5, 1.7) | 0.427–0.465 (10.84–11.80) | N/A | +1/4, -1/8 (+6.4, -3.2) |
| 17/32 (12.9) 2 lts 1/4, 0.037 (6, 0.9) | 0.475–0.525 (12.02–13.30) | +1/4, -1/16 (+6.4, -1.6) | +1/4, -1/8 (+6.4, -3.2) |
| 9/16 (13.7) 2 lts 1/4, 0.067 (6, 1.7) | 0.505–0.555 (12.82–14.10) | N/A | +1/4, -1/8 (+6.4, -3.2) |
| 25/32 (20.9) 2 lts 3/8, 0.037 (10, 0.9) | 0.747–0.849 (18.94–21.52) | +1/4, -1/16 (+6.4, -1.6) | N/A |
| 13/16 (21.7) 2 lts 3/8, 0.067 (10, 1.7) | 0.777–0.879 (19.74–22.32) | N/A | +5/16, -1/8 (+7.9, -3.2) |

GRAPHICS DIMENSIONS AND TOLERANCES

| GRAPHIC FEATURE | DIMENSION | |
|----------------------|-----------|------|
| | in | mm |
| Size | ±1/8 | ±3.2 |
| Registration | ±1/8 | ±3.2 |
| Color Trap | +1/8 | +3.2 |
| Panel-to-Panel Match | ±1/4 | ±6.4 |

Registration is placement of the interlayer within the glass area. The **Color Trap** is the overlap of adjoining imprinted densities or colors. **Panel-to-Panel Match** can be controlled more tightly in the field, during glazing, when the glazing system is designed to accommodate shimming.



INSPECTION GUIDELINES

VISION AREA GLAZING - To incorporate unique product characteristics, the following table supersedes ASTM C1172, Table 3.

| CHARACTERISTIC | SIZE THRU 25 SF (2.33M2) | | SIZE OVER 25 SF (2.33M2) | |
|---|--------------------------------|----------|--------------------------|-----------------------|
| | CENTRAL | OUTER | CENTRAL | OUTER |
| Boil (Bubble) | 1/16" | 3/32" | 1/8" | 3/16" |
| | 1.6mm | 2.4mm | 3.2mm | 4.8mm |
| Blow-In, Edge Boil | N/A | C 1/4" | N/A | C 1/4" |
| | | 6.4mm | | 6.4mm |
| | | E 1/32" | | E 1/16" |
| | | 0.8mm | | 1.6mm |
| Discoloration | None | None | None | None |
| Fuse | 1/32" | 1/16" | 1/16" | 3/32" |
| | 0.8mm | 1.6mm | 1.6mm | 2.4mm |
| Hair, Lint (Single Strand) | Light | Med | Light | Med |
| Inside Dirt (Spot) | 1/16" | 3/32" | 3/32" | 5/32" |
| | 1.6mm | 2.4mm | 2.4mm | 4.0mm |
| Concentrated Lint (Area) | Light | Light | Light | Light |
| Slippage, Mismatch | N/A | 1/16" | N/A | 3/32" |
| | | 1.6mm | | 2.4mm |
| Separation, Delamination | None | 1/4" | None | 1/4" |
| | | 6.4mm | | 6.4mm |
| Short Interlayer | N/A | C 1/4" | N/A | C 1/4" |
| Unlaminated Area Chip | 6.4mm | | 6.4mm | |
| | | E 1/16" | | E 3/32" |
| | | 1.6mm | | 2.4mm |
| Interlayer Scuff, Dirt Streak | Light | Light | Light | Light |
| Interlayer Edge Ripple (15.2cm) Maximum Length | N/A | C 1/2" | N/A | C 1/2" - 6" (15.2 cm) |
| | 12.7mm | 12.7mm | | |
| | | E 3/8" | | E 3/8" |
| Interlayer Pinholes, Voids | No | Clusters | No | Clusters |
| | 1/16" (1.6mm) Maximum Diameter | Clusters | Clusters | |
| Interlayer Streaking, Mottling | Med | Med | Med | Med |
| Interlayer Roll-Wave Distortion | Heavy | Med | Heavy | Med |

The **Central Area** is an area formed by an oval or circle whose axes or diameters, when centered, do not exceed 80% of the overall dimension; the **Outer Area** is the remaining perimeter.

C = Conventionally glazed, unexposed edge; **E** = Butt-glazed or other exposed edge

Light = Barely noticeable when viewed from a distance of three feet (one meter) under normal lighting conditions

Medium = Noticeable from three, but not 11 feet (one, not 3.5m)

Heavy = Plainly noticeable from any viewing distance



GLAZING GUIDELINES

| GENERAL PRINCIPLES | |
|--|---|
| <ul style="list-style-type: none"> The glazing system must structurally support the glass, firmly and gently. It must cushion to prevent load points and excessive clamping pressures, isolate rotational forces, and minimize load transfer from the surround to the glass. For exterior applications, the glass must float in the frame and allow no metal-to-glass contact. For laminated or insulating glass, the glazing channel also must be drained to prevent prolonged moisture contact with the edge. Design for a properly functioning glazing system requires consideration of a number of factors including design modules, glass types and compatibility between components. Following the outlined glazing principles will assure a durable exterior installation and minimize glass breakage due to mechanical and thermal stresses. Reference to current guidelines published by the Glass Association of North America (GANA), American Architectural Manufacturers Association (AAMA), and Sealed Insulating Glass Manufacturers Association (SIGMA), as applicable, is recommended. Modification to these recommendations may be appropriate for special glazing systems, including pre-formed lock-strip gaskets, skylight systems, structural setting systems, bolt and plate assemblies, and interior glazing. | |
| THE FRAMING SYSTEM | THE SURROUND |
| <ul style="list-style-type: none"> Curtain wall or window anchors and expansion joints should be designed to accommodate building and wall movement without transfer of undue forces to the framing. Horizontal expansion joints should be provided at each vertical member, or at 20' maximum spacing. Vertical expansion should be allowed at each floor. The system should be designed to permit erection with expansion joints almost fully open in cold weather and almost fully closed in hot weather. At design loads, inward and outward deflection of glass framing members must be limited to the length of the unsupported span divided by 175, or 3/4", whichever is less. Horizontal deflection of the sill member should be limited to prevent breakage. A limit of 1/8", or 25% of design edge clearance, whichever is less, is recommended. Rotation or twisting of the sill member should be limited to one degree from horizontal plane. The framing system should provide openings which are square within 1/8" difference in the diagonals, have maximum corner offset of 1/32", and have maximum bow of 1/16" per 4' length. | <ul style="list-style-type: none"> When annealed glass is exposed to direct sunlight and set directly into a high heat-capacity material, such as concrete, it may be unable to withstand the resultant thermal stresses. Depending on thermal absorbance of the glass selected, the time of year, and temperature extremes, thermal stress due to exterior shading may be problematic. Maximum stress from this source occurs when a narrow shadow band, 1–2" wide, lingers at the glass edge for an hour or longer. Combinations of narrow horizontal, vertical and diagonal shadows create greater edge stress. Double-diagonal shading with the sunlit V-shape centered at an edge creates high stress. Please keep in mind, the position of interior shading devices and heating outlets can affect the degree of thermal stress in glass. Heat strengthening adds sufficient strength to withstand most adverse conditions and is recommended for the glass when the designer believes the application warrants additional thermal-stress resistance. |

THE GLAZING CHANNEL

The glazing channel must be dimensioned to adequately cushion and retain the glass, while minimizing thermal stress and preventing metal-to-glass contact. It must accommodate glass fabrication tolerances and facilitate initial and replacement glazing, free from probable edge damage.

The nominal bite and minimal edge and face clearances detailed below should be provided. Units are expressed in inches (millimeters).

| Glass Type | Nominal Thickness | Face Clearance | Edge Clearance | Bite |
|------------|----------------------------|----------------|----------------|------------|
| | Glass, Interlayer | Minimal | Minimal | Nominal |
| Single | 9/32 (6.9) | | | |
| | 2 lts 1/8, 0.037 (3, 0.9) | 1/8 (3.2) | 1/4 (6.4) | 3/8 (9.5) |
| | 5/16 (7.7) | | | |
| | 2 lts 1/8, 0.067 (3, 1.7) | 1/8 (3.2) | 1/4 (6.4) | 3/8 (9.5) |
| | 17/32 (12.9) | | | |
| | 2 lts 1/4, 0.037 (6, 0.9) | 1/8 (3.2) | 1/4 (6.4) | 1/2 (12.7) |
| | 9/16 (13.7) | | | |
| | 2 lts 1/4, 0.067 (6, 1.7) | 1/8 (3.2) | 1/4 (6.4) | 1/2 (12.7) |
| | 25/32 (20.9) | | | |
| | 2 lts 3/8, 0.037 (10, 0.9) | 3/16 (4.8) | 1/4 (6.4) | 1/2 (12.7) |
| Insulating | 13/16 (21.7) | | | |
| | 2 lts 3/8, 0.067 (10, 1.7) | 3/16 (4.8) | 5/16 (7.9) | 1/2 (12.7) |
| | 1-1/32 (26.2) | 3/16 (4.8) | 1/4 (6.4) | 1/2 (12.7) |
| | 1 lt 9/32 (7) lam | | | |
| | 1/2 cavity | | | |
| | 1 lt 1/4 (6) | | | |
| | 1-1/16 (27) | 3/16 (4.8) | 1/4 (6.4) | 1/2 (12.7) |
| | 1 lt 5/16 (8) lam | | | |
| | 1/2 cavity | | | |
| | 1 lt 1/4 (6) | | | |



The system must drain adequately to assure that the edge of the glass will not be submersed in water for prolonged periods of time. If weep holes are used, they should be minimally 5/16" diameter, or elongated slots of similar area, so they will not become easily plugged or bridge over due to surface tension. Three holes should be used at each sill in the bottom of the glazing channel—one in the center and two flanking, between jamb and setting block.

| SETTING BLOCKS | SPACERS AND OTHER GLAZING ACCESSORIES |
|--|---|
| <ul style="list-style-type: none"> Setting blocks made of permanently resilient neoprene, silicone, or other material compatible with the sealants used, 80–90 Shore A Durometer hardness, should be located in the sill glazing channel to support the glass. Two should be used per lite, centered at quarter points to support half the weight of the lite. The length of each block should be 0.100" for each square foot of glass area, but not less than 6"; width should be 1/16" less than the full channel width; and height should be appropriate to provide proper bite and edge clearance. | <ul style="list-style-type: none"> Continuous rubber-like sealant beads, gaskets or spacers should be used to maintain face clearances within the glazing channel. For wet-glazing systems, intermittent shims, 40–60 durometer, inserted on both sides of the glass, opposite each other on 18–24" centers around the perimeter, sized minimally 4" long, to provide at least 1/8" purchase on the edge, and to fit snugly, may be used for centering until the sealant cures. Gaskets or spacers should be made of permanently resilient sealant-compatible material. Their hardness will depend on specific design function. For large lites in dry-glazing systems, edge blocks should be used to in the vertical glazing channels to limit any potential lateral shifting of the glass due to vibration, wind loading, or thermal forces. These should be pre-cured, resilient neoprene, silicone, or other material compatible with the sealants used; 40–60 Shore A Durometer hardness; and sized 6" in length by full-channel width by edge-clearance-less-1/8" height—to allow a little initial space between the block and the edge of the glass. The joints of dry-glazing gaskets should be cut and sealed in accordance with the manufacturers' recommendations to provide watertight and airtight seal. |

SEALANTS

For other laminated glass products, various non-hardening, solid sealants can be used successfully with VividGlass. In product selection, consider such factors as weather resistance and other fundamental mechanical properties, durability, cost, and compatibility with other glazing components, including the laminated glass itself if direct sealant-to-edge contact is anticipated.

The VividGlass interlayer system is an advanced derivative of DuPont Butacite®. In direct sealant-to-edge contact, low molecular-weight sealant by-products—like water, plasticizers, solvents, acetic acid, ammonia, alcohol, and amines—may lead to potentially objectionable interlayer discoloration or minor edge separation. Because formulations vary over time and by manufacturer, compatibility testing of components should be initiated by the glazing contractor and conducted by the sealant manufacturer for critical applications. Where silicone is considered in such details, it should be non-acidic, neutral curing (alkoxy type). Acetoxy type silicone is not compatible with architectural laminated glass.

Sealants should be applied according to the manufacturer's recommendations. Work should be done only with clean, dry surfaces. Temperature during installation should be above 50°F (10°C) and for 24 hours after application. To limit thermal edge stress in conventional setting systems, the exterior watershed should be limited to 1/16".