



SWEEP™ CABINET PULLS

PRODUCT DATA





SWEEP™ CABINET PULLS



PRODUCT DATA

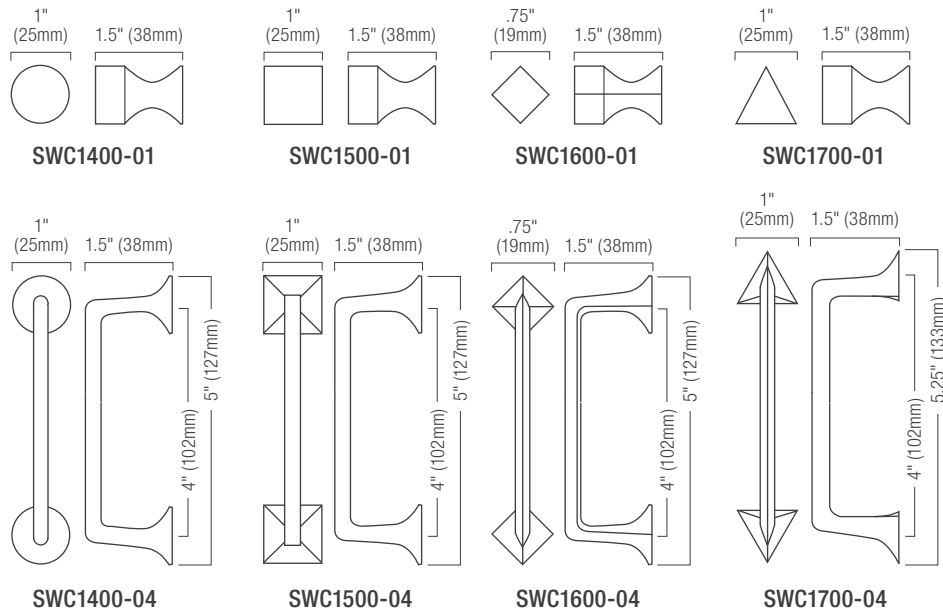
At first glance familiar, at second glance anything but ordinary, the Sweep Collection is a dramatic variation on a classic theme. Crisp lines and bold geometric forms are featured in exaggerated proportions. A rich palette of metals and finishes complements the robust shapes and provides the finishing touch to this spirited group of cabinet pulls.

MATERIALS & FINISHES

INSTALLATION & MAINTENANCE

STAINLESS STEEL		BRONZE		INSTALLATION	MAINTENANCE
US32	Polished Stainless Steel	US9	Polished Bronze	Sweep Cabinet Pulls are designed to be used with 3/4" (19mm) thick cabinet doors or drawers and are installed using a variety of screws (included with order). Please contact Inside Sales for more information regarding screw sizes and lengths.	Sweep Cabinet Pulls are well-suited for interior or exterior use. Regular maintenance will help ensure the lasting beauty of each pull. For more information, please refer to <i>Door Hardware Care & Maintenance</i> found on our website.
US32D	Satin Stainless Steel	US10	Satin Bronze		
		US10B	Oil-Rubbed Bronze		

DESIGN OPTIONS



LIST PRICING AND ORDERING INFORMATION

Pricing does not include freight. All pricing is for single units, not pairs.

MODEL	STAINLESS STEEL	BRONZE
SWC1400-01	US32, US32D	US9, US10, US10B
SWC1400-04 4" (102mm) c.c.	US32, US32D	US9, US10, US10B
SWC1500-01	US32, US32D	US9, US10, US10B
SWC1500-04 4" (102mm) c.c.	US32, US32D	US9, US10, US10B
SWC1600-01	US32, US32D	US9, US10, US10B
SWC1600-04 4" (102mm) c.c.	US32, US32D	US9, US10, US10B
SWC1700-01	US32, US32D	US9, US10, US10B
SWC1700-04 4" (102mm) c.c.	US32, US32D	US9, US10, US10B

HOW TO SPECIFY: Provide cabinet pull model number, quantity, metal and finish.

