

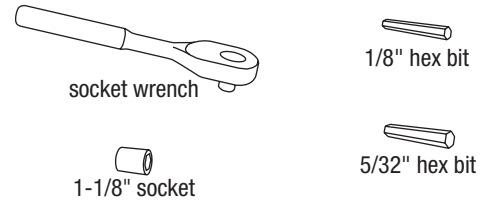
# 3RIVERS™ PEDESTRIAN

## SURFACE MOUNT INSTALLATION INSTRUCTIONS

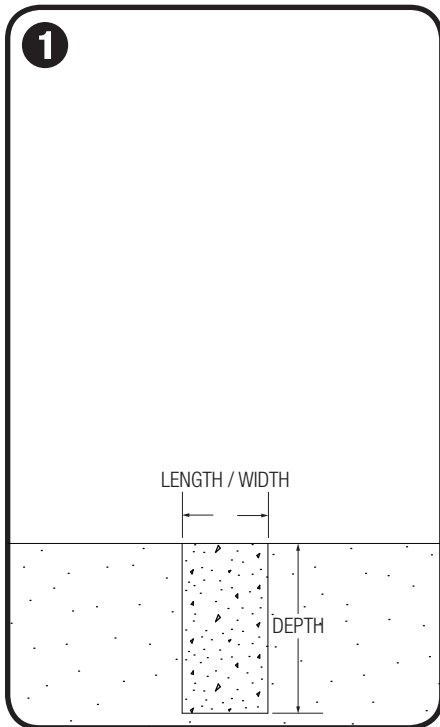
### MATERIALS INCLUDED



### TOOLS NEEDED

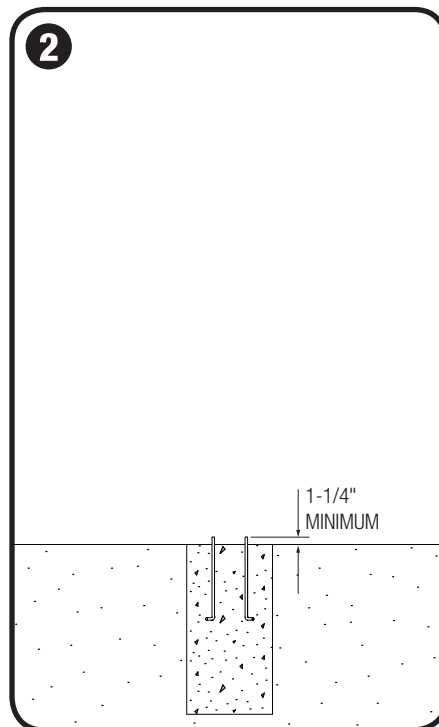


### STEP BY STEP FOR ALL 3RIVERS PEDESTRIAN LIGHTING



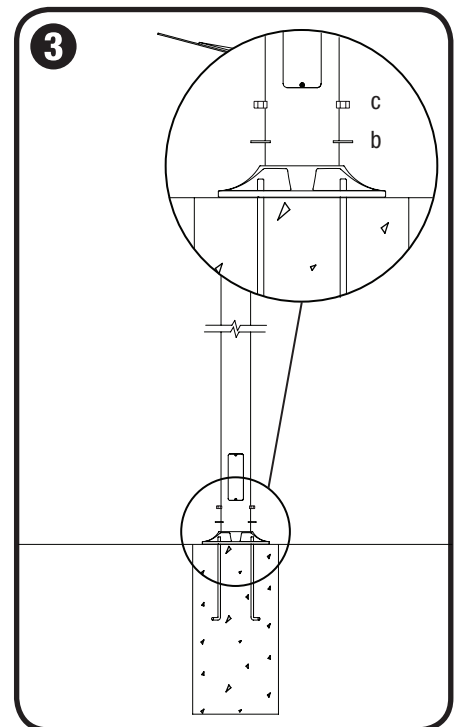
#### Pour concrete footer

- Mix and pour concrete footer according to concrete manufacturer's instructions.
- A sufficient footer size depends on frost and other conditions to be determined by the installer. A minimum of a 24" square x 36" deep footer is recommended.



#### Insert J-bolt anchors

- Insert 3/4"-10 x 24" galvanized steel J-bolt anchors (a) into concrete.
- Use template (included) to position J-bolt anchors in proper locations. Tops of J-bolt anchors must be a minimum of 1-1/4" above concrete surface.
- Allow concrete to set completely, in accordance with concrete manufacturer's instructions, before moving to step 3.



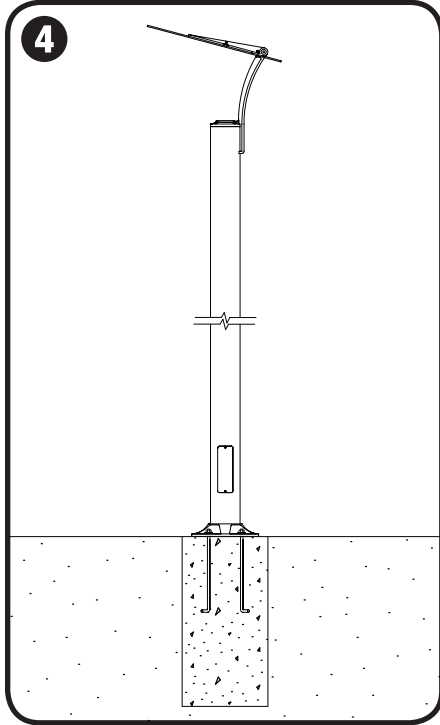
#### Position & attach pedestrian

- Slide pedestrian base plate over J-bolt anchors and lower pedestrian to concrete level. Keep supported until attached and tightened.
- Slide 3/4" washer (b), then thread 3/4"-10 nut (c) onto each J-bolt anchor.

# 3RIVERS™ PEDESTRIAN

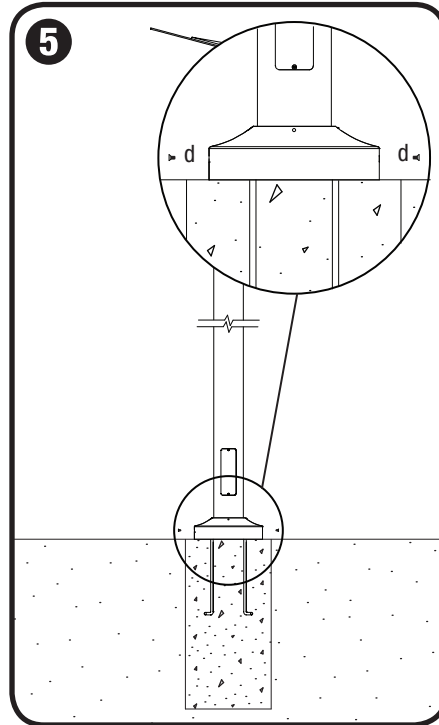
SURFACE MOUNT INSTALLATION INSTRUCTIONS

## STEP BY STEP FOR ALL 3RIVERS PEDESTRIAN LIGHTING



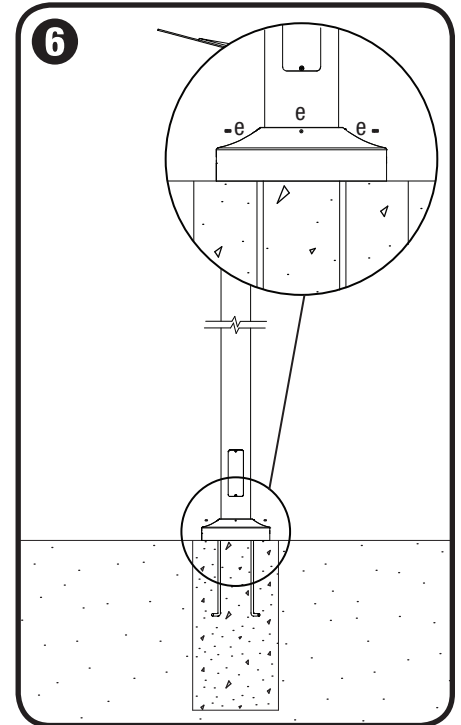
### Tighten nuts

- Use 1-1/8" socket and socket wrench to tighten all nuts until snug.



### Attach base cover (step 1)

- Place both halves of base cover in position and thread 1/4"-20 x 1/2" flat head cap screw (d) into each end hole and tighten with 5/32" hex bit or key.



### Attach base cover (step 2)

- Thread 1/4"-20 x 1/2" set screw (e) into each upper hole and tighten with 1/8" hex bit or key.