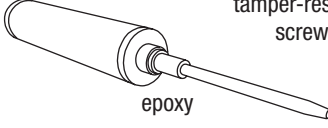


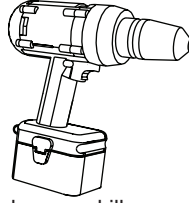
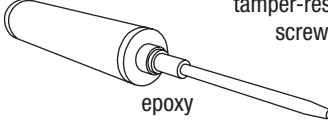


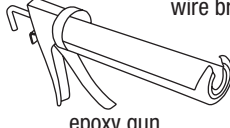
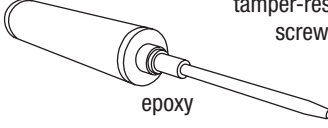
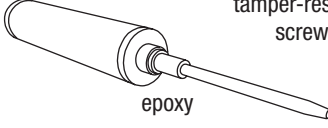

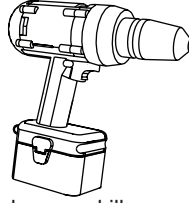
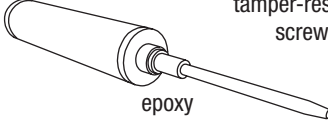
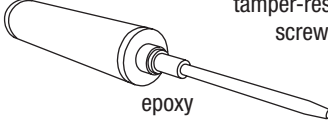

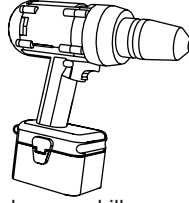
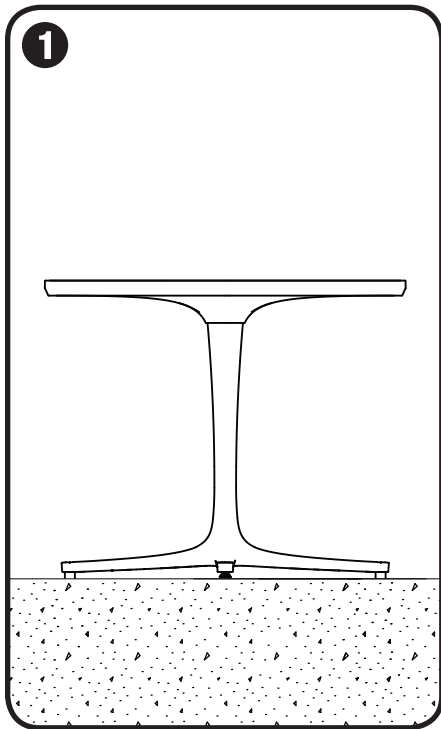


AVIVO™ PEDESTAL TABLE

SURFACE MOUNT INSTALLATION INSTRUCTIONS

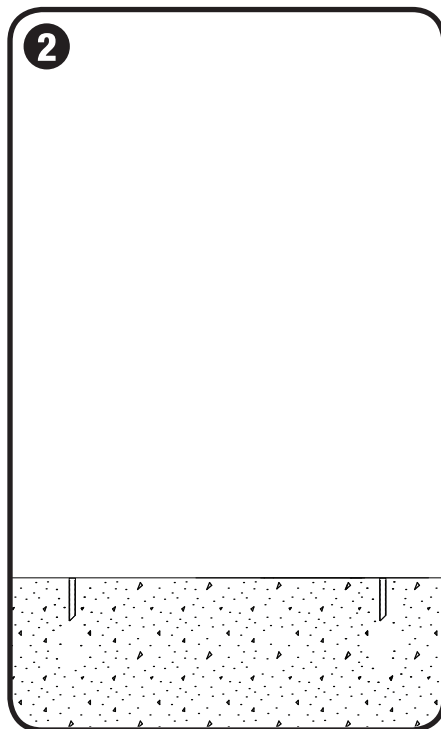
MATERIALS INCLUDED		TOOLS NEEDED	
	 7/32" hex bit for tamper-resistant screws		
	 steel wire brush		
			
			

STEP BY STEP FOR ALL SURFACE-MOUNTED AVIVO PEDESTAL TABLES



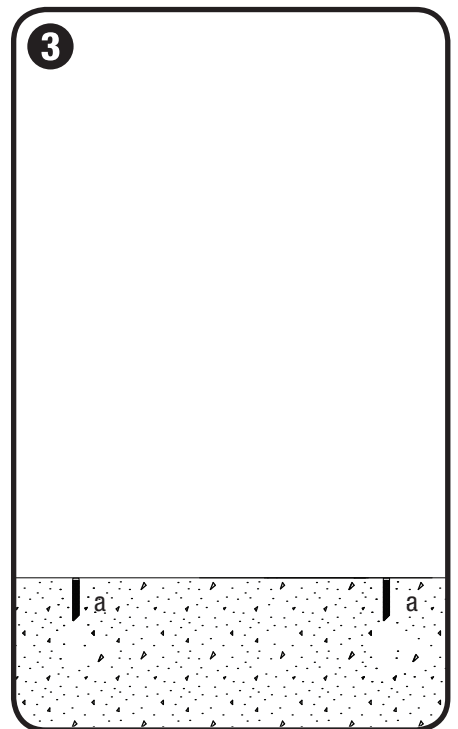
1 Mark hole locations

- Place table in desired location. Mark center of each hole location with a pencil.



2 Drill holes

- Use hammer drill to drill 4 1/2" deep x 3/4" diameter anchor hole at each marked location using a 3/4" drill bit suitable for concrete drilling.
- NOTE: Forms+Surfaces recommends starting holes with 1/4" diameter drill bit followed by 1/2" and finally 3/4" for maximum accuracy.



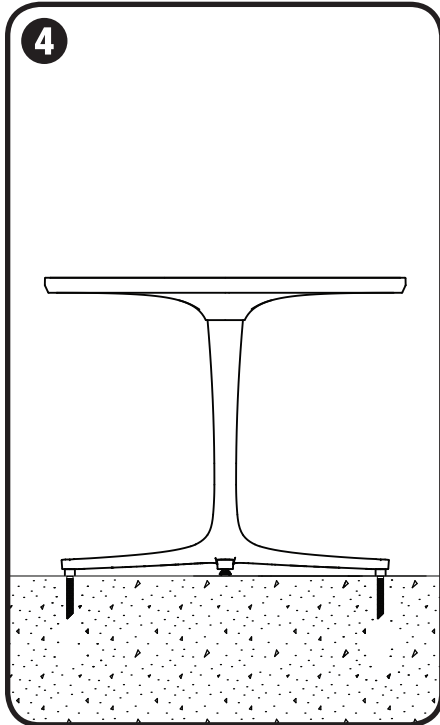
3 Fill holes & insert anchors

- Use compressed air and steel wire brush to clean each anchor hole in accordance with epoxy instructions.
- Use epoxy in epoxy gun to fill each anchor hole 5/8 of the hole depth in accordance with epoxy instructions.
- Insert 3/8" - 16 x 4" epoxy anchor (a) into each anchor hole so anchor top is flush with ground. Allow proper curing time according to cure schedule on epoxy instructions before moving on to step 4.

AVIVO™ PEDESTAL TABLE

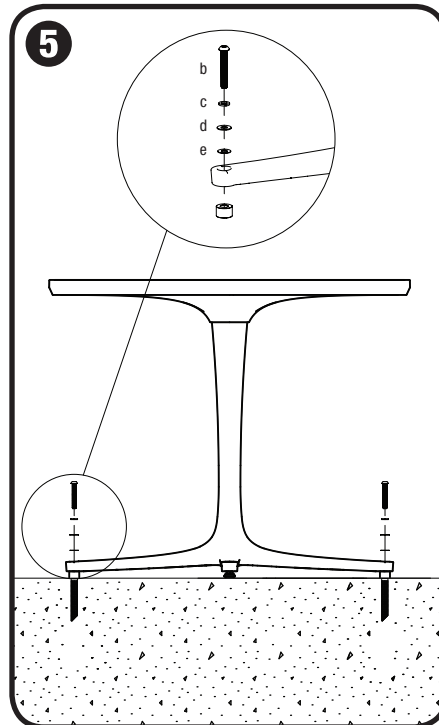
SURFACE MOUNT INSTALLATION INSTRUCTIONS

STEP BY STEP FOR ALL SURFACE-MOUNTED AVIVO PEDESTAL TABLES



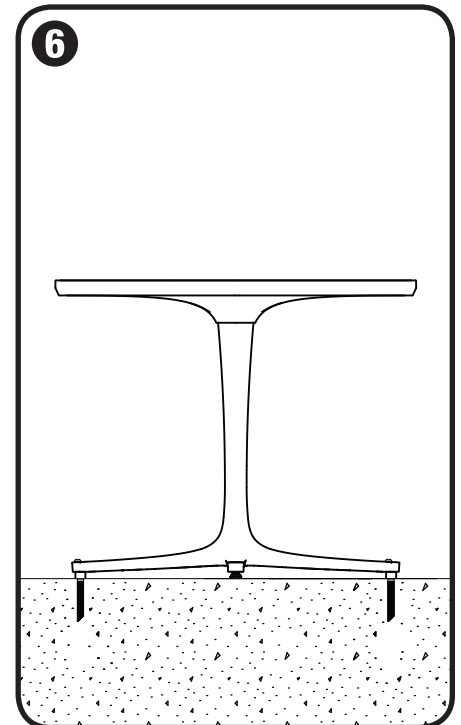
Position table

- Position table so that mounting holes line up with anchors.



Attach table

- Slide 3/8" stainless steel lock washer (c), 3/8" stainless steel flat washer (d), and 3/8" nylon flat washer (e) onto each 3/8"-16 x 2 1/2" tamper resistant button head cap screw (b).
- Insert screws into mounting holes in table base and thread into anchors using provided 7/32" hex bit for tamper-resistant screws.



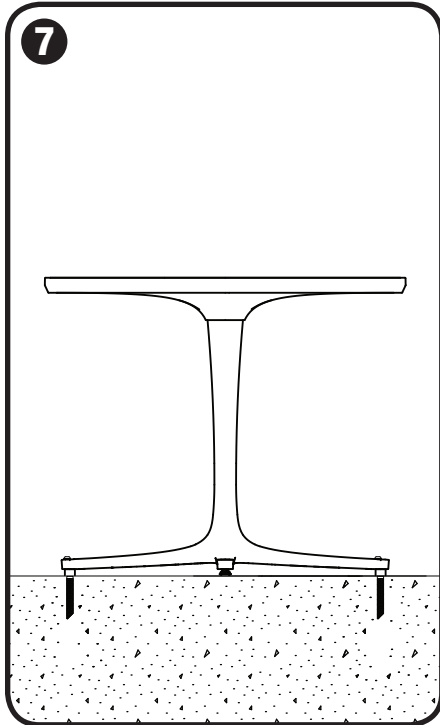
Tighten screws

- Tighten screws until snug.

AVIVO™ PEDESTAL TABLE

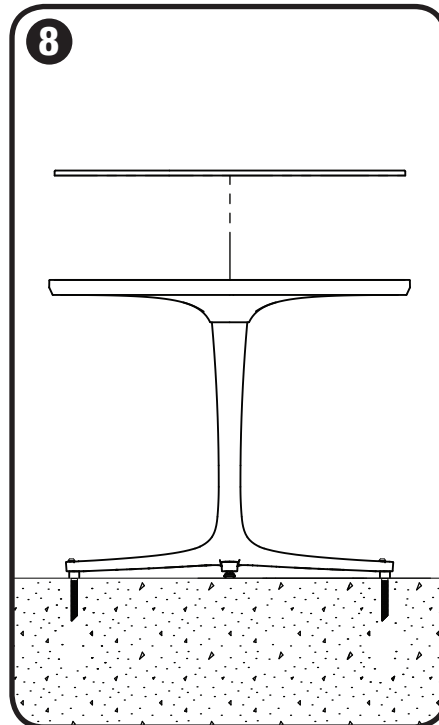
SURFACE MOUNT INSTALLATION INSTRUCTIONS

STEP BY STEP FOR ALL SURFACE-MOUNTED AVIVO PEDESTAL TABLES



Adjust leveling feet

- Adjust leveling feet as necessary to achieve an even surface.



Install glass/TENSL top

- If applicable, take the top out of the packaging and set it into the top ring.