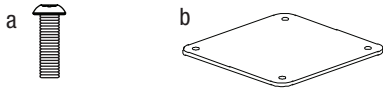


# AXIS™ RECEPTACLE

ATTACHMENT INSTRUCTIONS

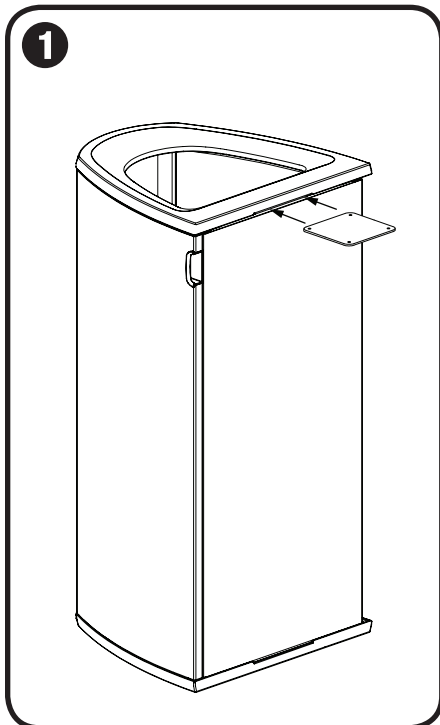
## MATERIALS INCLUDED



## TOOLS NEEDED

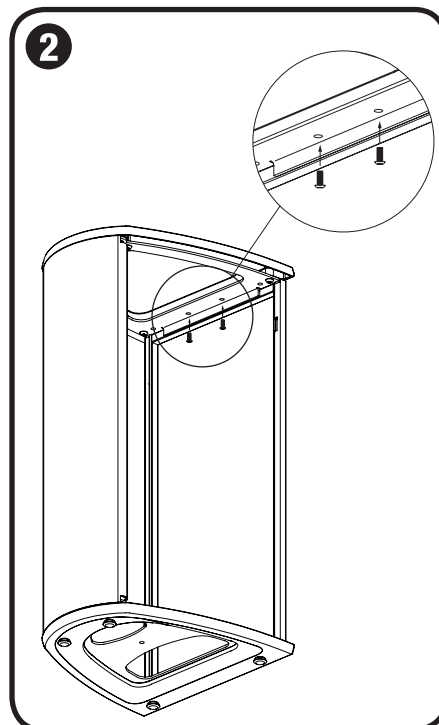


## STEP BY STEP TO ATTACH TWO AXIS RECEPTACLES



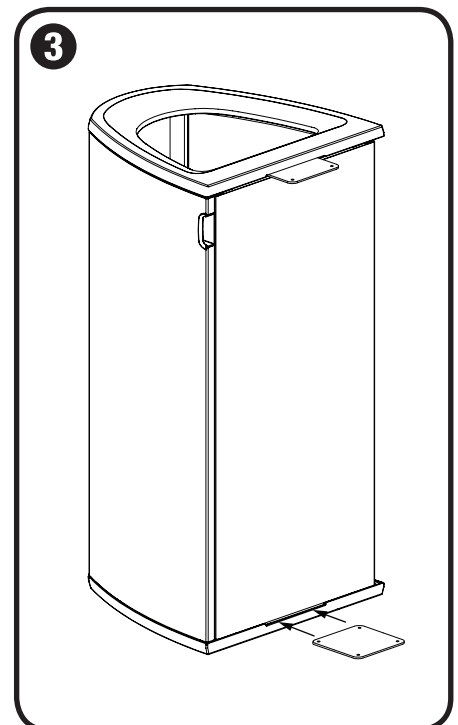
### Insert top attachment plate

- Each Axis Receptacle comes with one attachment plate and four screws. To attach two receptacles you will need two attachment plates and eight screws.
- Insert top attachment plate (b) into slot along the straight flat end of the receptacle, below the lid.
- Align holes in top attachment plate with holes in top receptacle frame.



### Attach top attachment plate

- Insert 1/4"-20 x 1/2" Phillips bit pan head screws (a) through receptacle frame and top attachment plate to secure top attachment plate to receptacle.
- Use Philips head screwdriver to tighten screws until snug.



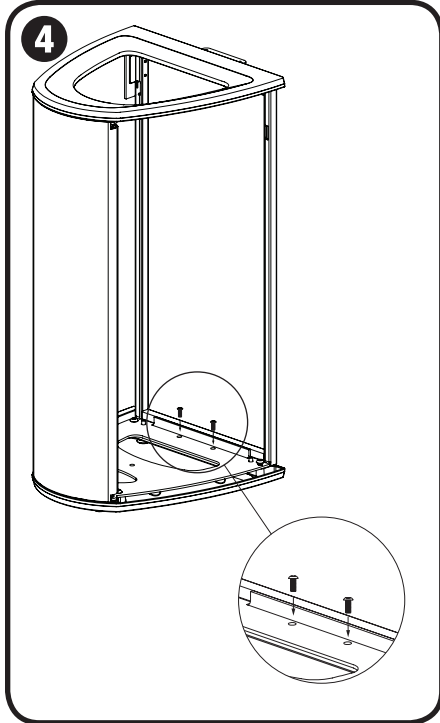
### Insert bottom attachment plate

- Insert bottom attachment plate (b) into slot along the straight flat end of the receptacle, below the body and above the base.
- Align holes in bottom attachment plate with holes in bottom receptacle frame.

# AXIS™ RECEPTACLE

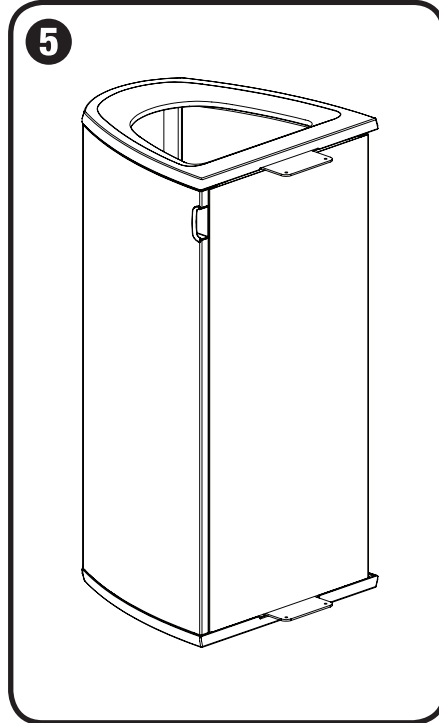
ATTACHMENT INSTRUCTIONS

## STEP BY STEP TO ATTACH TWO AXIS RECEPTACLES



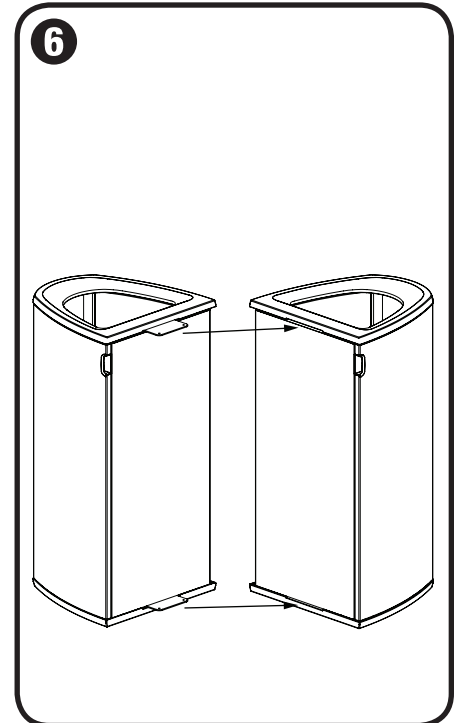
### Attach bottom attachment plate

- Insert 1/4"-20 x 1/2" Phillips bit pan head screws (a) through receptacle frame and bottom attachment plate to secure bottom attachment plate to receptacle.
- Use Philips head screwdriver to tighten screws until snug.



### Both attachment plates secured

- Both attachment plates should now be secured on the first receptacle and ready to be attached to the second receptacle.



### Align and attach second receptacle

- Align top and bottom attachment plates from the first receptacle with the slots in the second receptacle.
- Secure attachments plates with 1/4"-20 x 1/2" Phillips bit pan head screws (a) to second receptacle as in Step 2 and Step 4.
- Use Philips head screwdriver to tighten screws until snug.