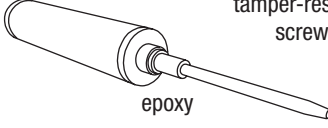


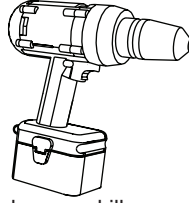
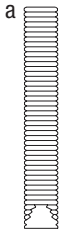





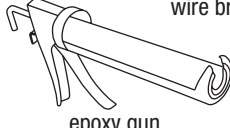

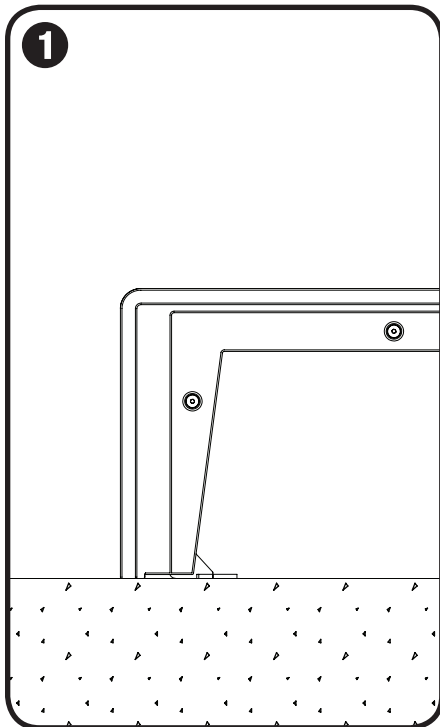


BEVEL™ BENCH

SURFACE MOUNT INSTALLATION INSTRUCTIONS

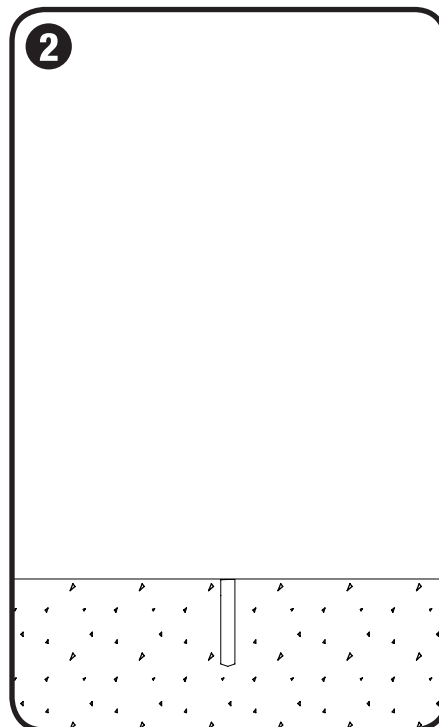
MATERIALS INCLUDED		TOOLS NEEDED	
 epoxy	 5/16" hex bit for tamper-resistant screws	 pencil	 hammer drill
 a	 b	 1/4", 1/2" & 7/8" drill bits for concrete	 steel wire brush
 c	 d		 epoxy gun
 e			

STEP BY STEP FOR ALL SURFACE MOUNTED BEVEL BENCHES



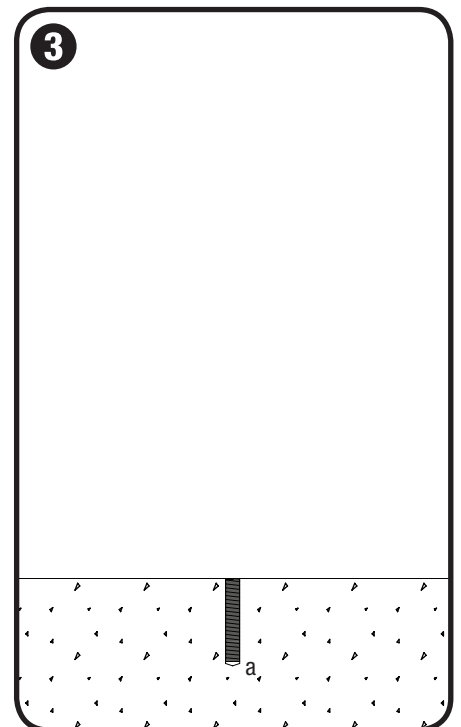
1 Mark hole locations

- Place bench in desired location. Mark center of each surface mount bracket tab hole location with a pencil.



2 Drill holes

- Use hammer drill to drill 5-3/8" deep x 7/8" diameter anchor hole at each marked location using a 7/8" drill bit suitable for concrete drilling.
- NOTE: Forms+Surfaces recommends starting holes with 1/4" diameter drill bit followed by 1/2" and finally 7/8" for maximum accuracy.



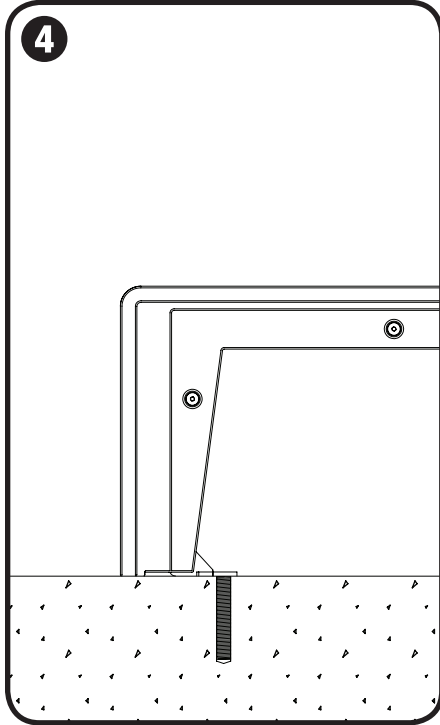
3 Fill holes & insert anchors

- Use compressed air and steel wire brush to clean each anchor hole in accordance with epoxy instructions.
- Use epoxy in epoxy gun to fill each anchor hole 5/8 of the hole depth in accordance with epoxy instructions.
- Insert 1/2"-13 x 5" epoxy anchor (a) into each anchor hole so anchor top is flush with ground. Allow proper curing time according to cure schedule on epoxy instructions before moving on to step 4.

BEVEL™ BENCH

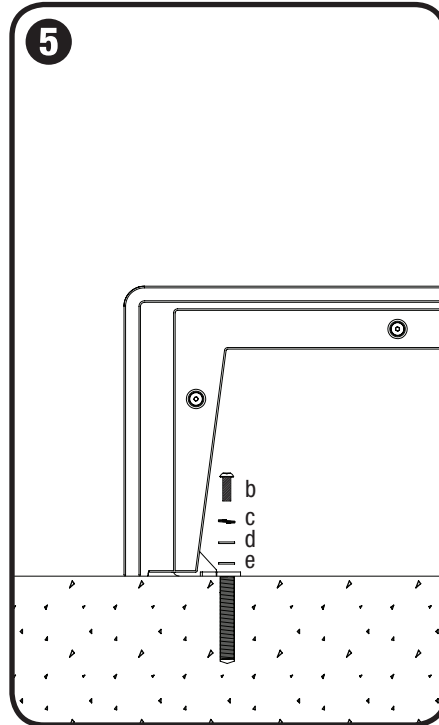
SURFACE MOUNT INSTALLATION INSTRUCTIONS

STEP BY STEP FOR ALL SURFACE MOUNTED BEVEL BENCHES



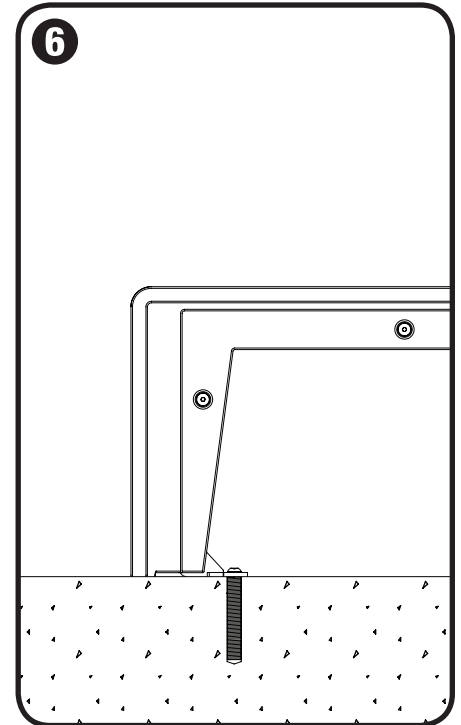
Position bench

- Position bench so that mounting holes line up with anchors.



Attach bench

- Slide 1/2" stainless steel lock washer (c), 1/2" stainless steel flat washer (d), and 1/2" nylon flat washer (e) onto each 1/2"-13 x 1-1/2" tamper-resistant button head cap screw (b).
- Insert screws into mounting holes in surface mount bracket tab and thread into anchors using provided 5/16" hex bit for tamper-resistant screws.



Tighten screws

- Tighten screws until snug.