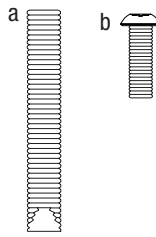
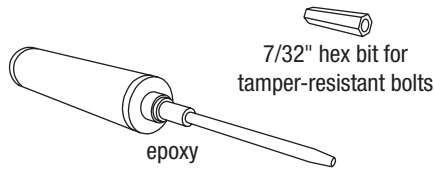


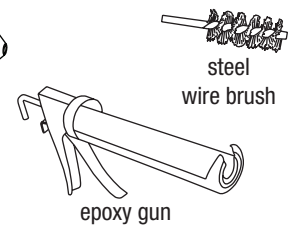
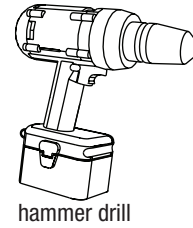
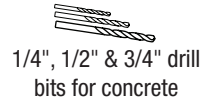
# BEVEL™ RECEPTACLE

## SURFACE MOUNT INSTALLATION INSTRUCTIONS

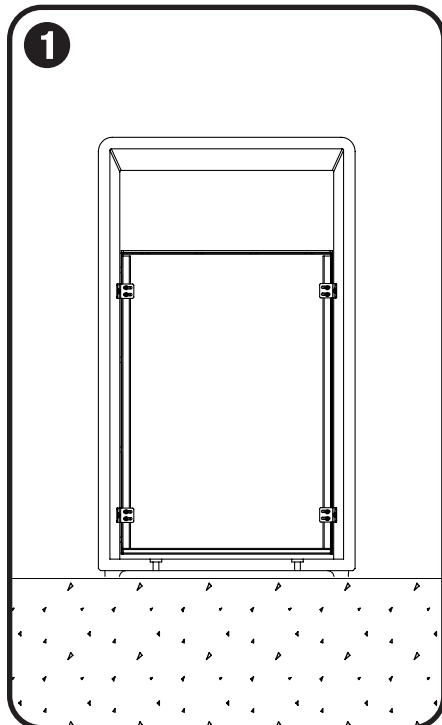
### MOUNTING KIT (SOLD SEPARATELY)



### TOOLS NEEDED

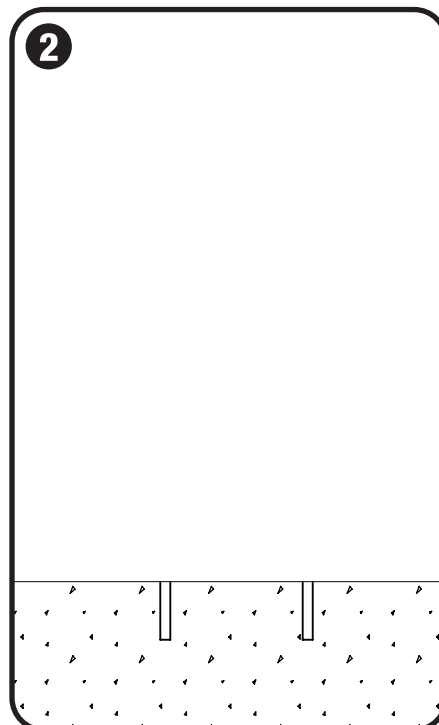


### STEP BY STEP FOR ALL SURFACE-MOUNTED BEVEL RECEPTACLES (door hidden on all images)



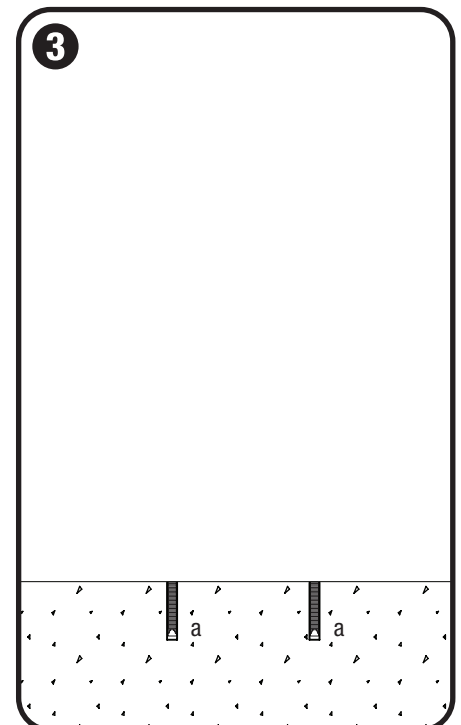
#### Mark hole locations

- Place receptacle in desired location. Mark center of each hole location with a pencil.



#### Drill holes

- Use hammer drill to drill 4 1/2" deep x 3/4" diameter anchor hole at each marked location using a 3/4" drill bit suitable for concrete drilling.
- NOTE: Forms+Surfaces recommends starting holes with 1/4" diameter drill bit followed by 1/2" and finally 3/4" for maximum accuracy.



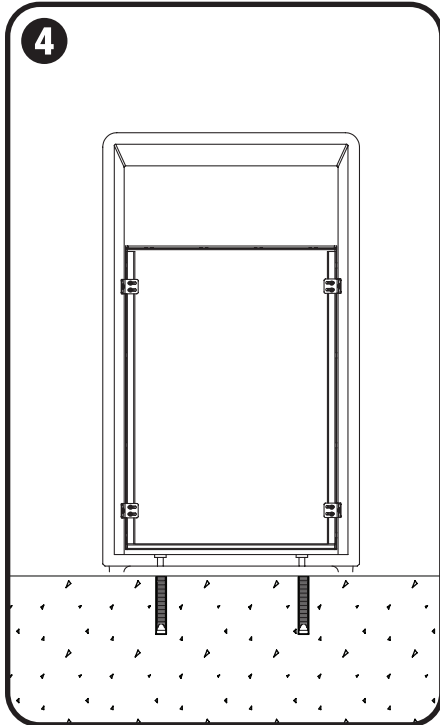
#### Fill holes & insert anchors

- Use compressed air and steel wire brush to clean each anchor hole in accordance with epoxy instructions.
- Use epoxy in epoxy gun to fill each anchor hole 5/8 of the hole depth in accordance with epoxy instructions.
- Insert 3/8" - 16 x 4" epoxy anchor (a) into each anchor hole so anchor top is flush with ground. Allow proper curing time according to cure schedule on epoxy instructions before moving on to step 4.

# BEVEL™ RECEPTACLE

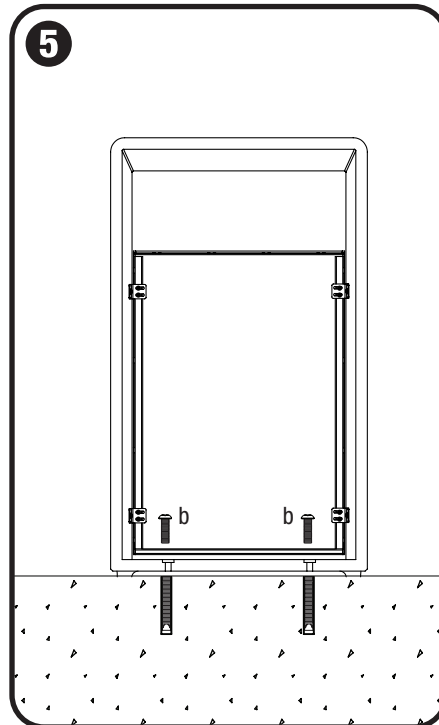
## SURFACE MOUNT INSTALLATION INSTRUCTIONS

### STEP BY STEP FOR ALL SURFACE-MOUNTED BEVEL RECEPTACLES (door hidden on all images)



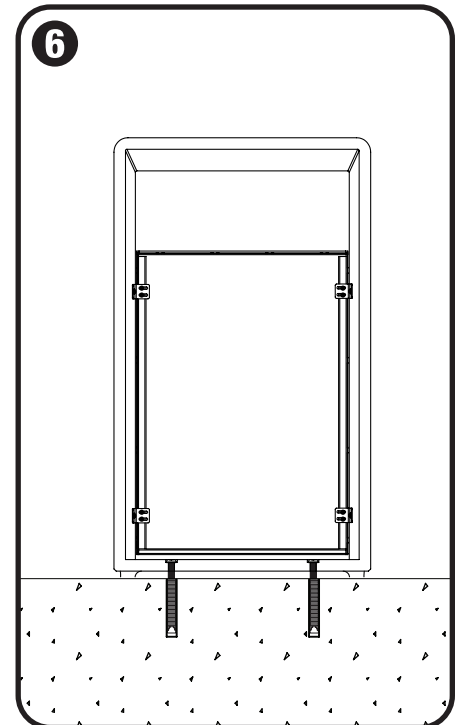
#### Position receptacle

- Position receptacle so that mounting holes line up with anchors.



#### Attach receptacle

- Insert tamper-resistant button head cap bolts (b) into mounting holes in receptacle and thread into anchors using 7/32" hex bit for tamper-resistant bolts.



#### Tighten bolts

- Tighten bolts by hand until the bottom of the bolt head makes contact with the bottom of the counterbore in the receptacle base.

NOTE: To prevent overtightening, the use of powertools is not recommended by Forms+Surfaces. Overtightening can cause fracturing in the UHPC material.