

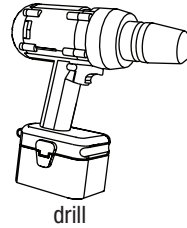
BISTRO™ TABLE

FREESTANDING INSTALLATION INSTRUCTIONS

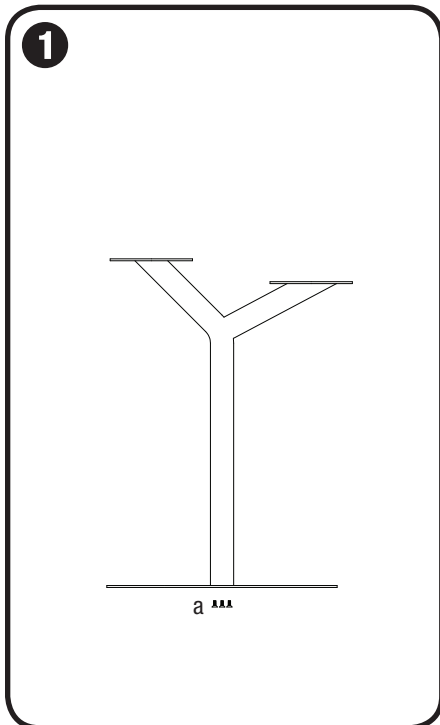
MATERIALS INCLUDED



TOOLS NEEDED

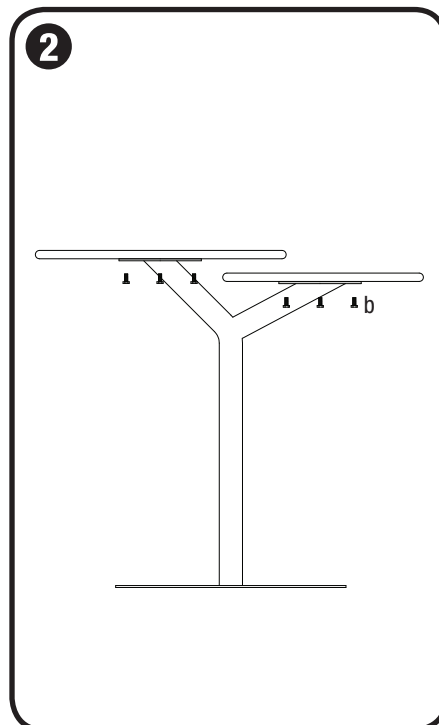


STEP BY STEP FOR ALL FREESTANDING BISTRO TABLES



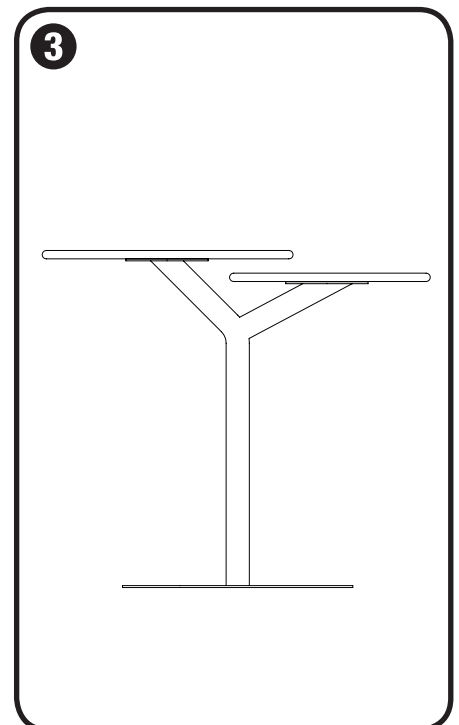
Attach base to column

- Use 3/16" hex key to attach base to column using 5/16"-24 x 3/4" button head cap screws (a).



Attach table tops to column

- Use drill with 1/2" nut driver (or socket wrench with 1/2" socket) to attach table tops to column with 5/16"-18 x 3/4" hex head bolts (b).



Tighten screws

- Tighten all screws until snug.