

BUTTLER® ASH RECEPTACLE

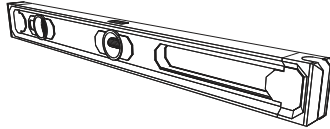
RECEPTACLE MOUNT INSTALLATION INSTRUCTIONS

HARDWARE INCLUDED



Buttler key

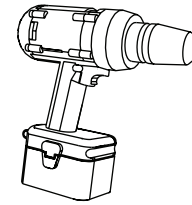
TOOLS NEEDED



level



pencil



drill

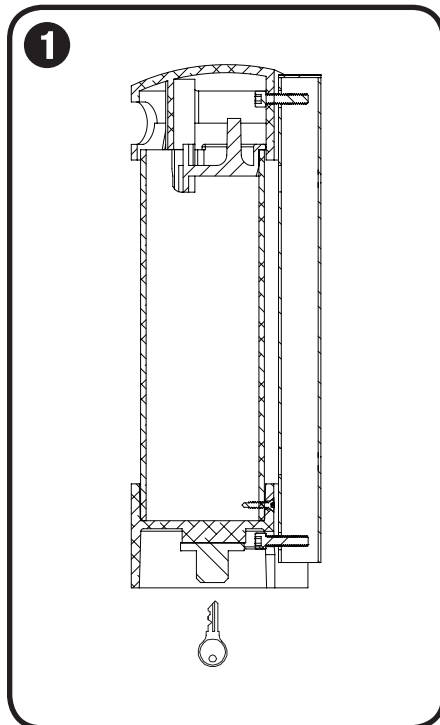


3/16" drill bit



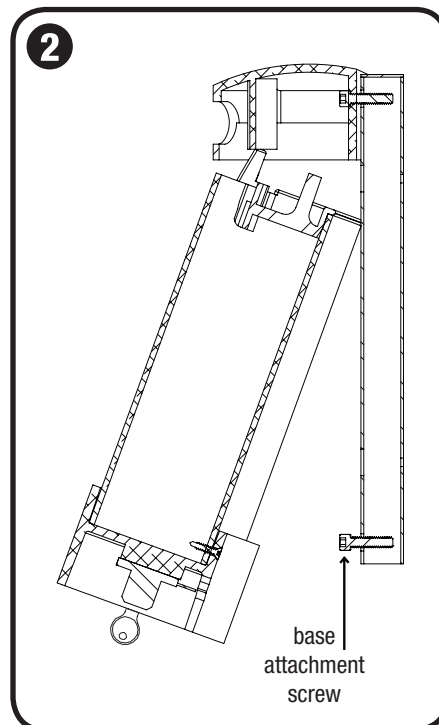
5/16" nut driver

STEP BY STEP



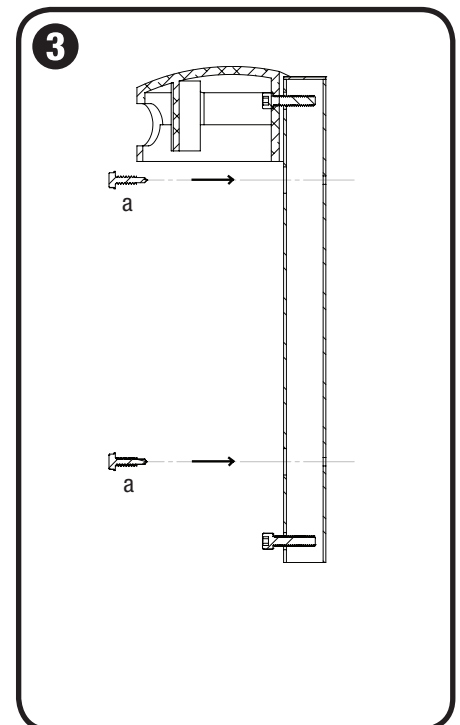
1 Unlock

- Locate lock on underside of base.
- Insert Buttler key and turn 1/2 turn clockwise.



2 Remove body

- Lift body up and tilt away from square mounting tube far enough to clear base attachment screw.
- Slide body down, out of top end cap.



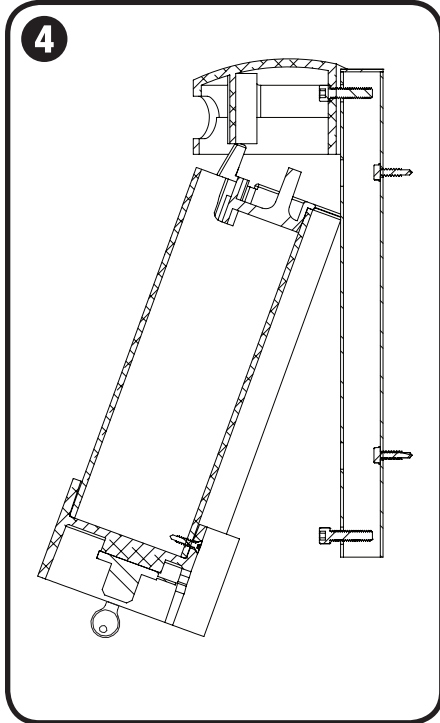
3 Install square mounting tube

- Position square mounting tube on receptacle at desired height and level.
- Mark hole locations with a pencil.
- If using provided screws*, pre-drill holes using a 3/16" diameter drill bit.
- Attach mounting tube to receptacle with provided screws (a), using drill with 5/16" nut driver (or socket wrench with 5/16" socket).

BUTTLER® ASH RECEPTACLE

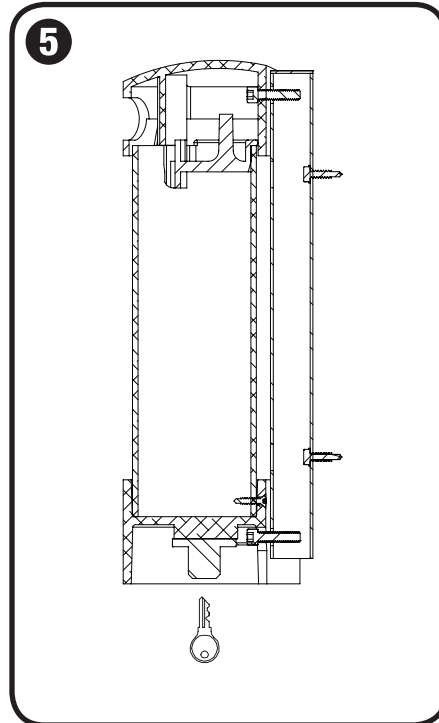
RECEPTACLE MOUNT INSTALLATION INSTRUCTIONS

STEP BY STEP



Replace body

- Tilt base away from square mounting tube and slide up into top end cap.
- Push base back against square mounting tube and pull down until engaged with base attachment screw.



Lock

- Turn Buttler key 1/2 turn counterclockwise.
- Verify that locking plate has rotated under base attachment screw.

***NOTE:** The provided screws for this installation are included as a convenience and are suitable for Forms+Surfaces' Buttler Ash receptacle. It is the installer's responsibility to determine the suitability of the mounting hardware for other receptacles and site conditions and, if necessary, provide alternative mounting hardware.