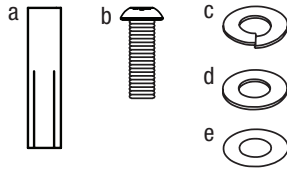


BUTTLETM ASH RECEPTACLE

POLE MOUNT INSTALLATION INSTRUCTIONS

MATERIALS INCLUDED

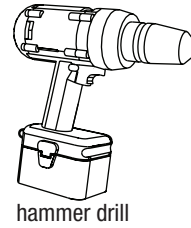
7/32 hex bit for tamper-resistant screws



TOOLS NEEDED

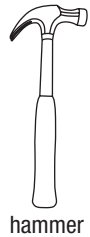
pencil

3/16, 3/8 & 1/2 drill bits for concrete

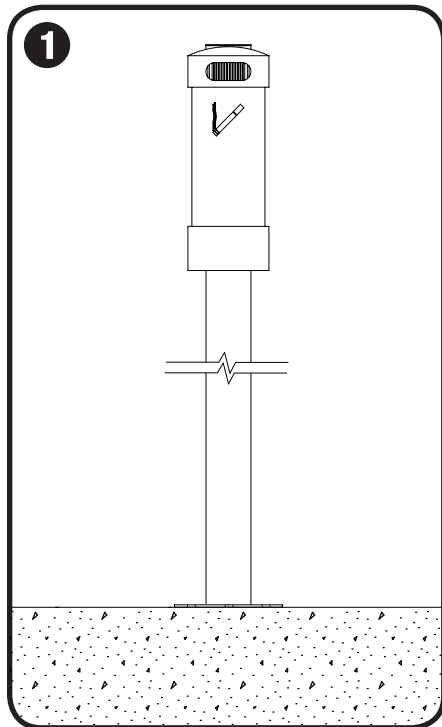


steel wire brush

1/4 punch

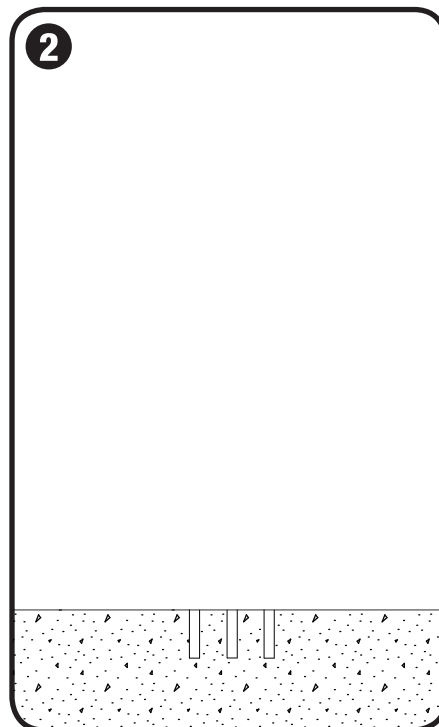


STEP BY STEP FOR ALL POLE MOUNTED BUTTLER ASH RECEPTACLES



Mark hole locations

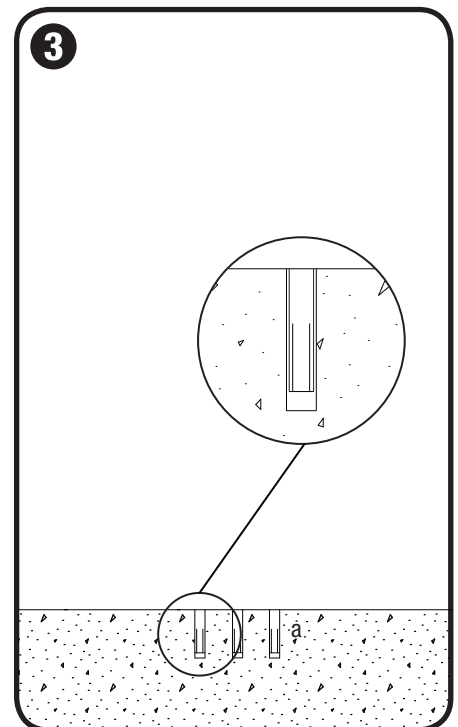
- Place unit in desired location. Mark center of each hole location in base with a pencil.



Drill holes

- Use hammer drill to drill 1-7/8" deep x 1/2" diameter anchor hole at each marked location using a 1/2" drill bit suitable for concrete drilling.

NOTE: Forms+Surfaces recommends starting holes with 3/16" diameter drill bit followed by 3/8" and finally 1/2" for maximum accuracy.



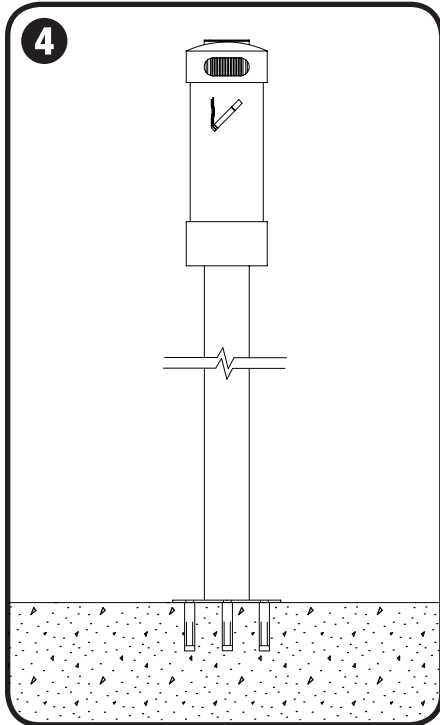
Insert & set anchors

- Use compressed air and steel wire brush to clean each anchor hole.
- Insert 3/8"-16 x 1-1/2" anchor (a) into each anchor hole and use hammer to tap anchor tops flush with ground level.
- Use 1/4" punch and hammer to set anchors by driving down the center of each anchor until it stops.

BUTTLER™ ASH RECEPTACLE

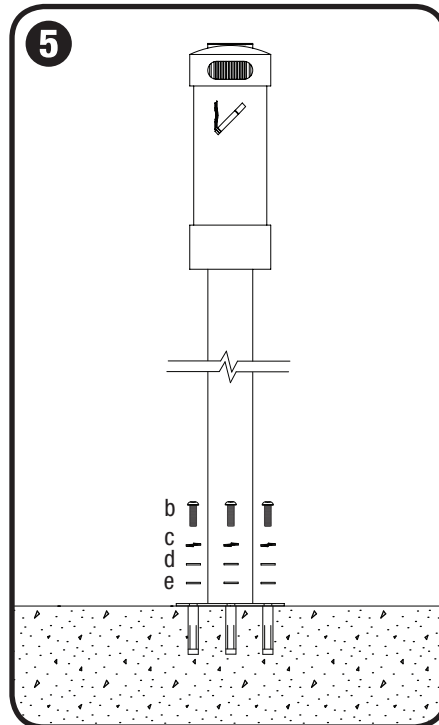
POLE MOUNT INSTALLATION INSTRUCTIONS

STEP BY STEP FOR ALL POLE MOUNTED BUTTLER ASH RECEPTACLES



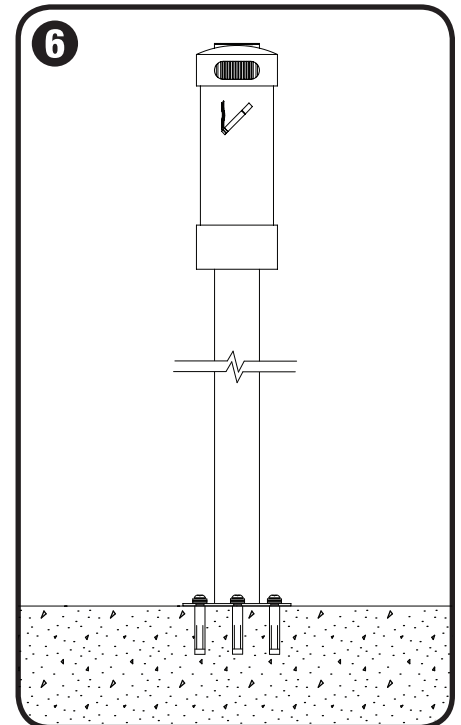
Position unit

- Position unit so that mounting holes line up with anchors.



Attach unit

- Slide 3/8" stainless steel lock washer (c), then 3/8" stainless steel flat washer (d) and 3/8" nylon flat washer (e) onto each 3/8"-16 x 1" tamper-resistant button head cap screw (b).
- Insert screws into mounting holes in base and thread into anchors using provided 7/32" hex bit for tamper-resistant screws.



Tighten screws

- Tighten screws until snug.