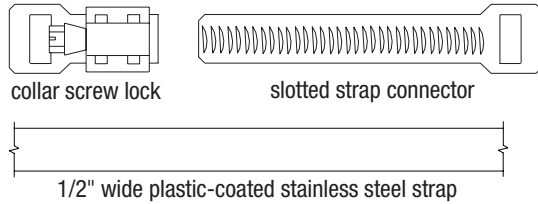


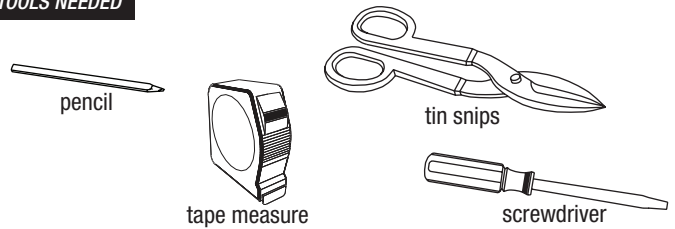
# BUTTLER® ASH RECEPTACLE

## STRAP MOUNT INSTALLATION INSTRUCTIONS

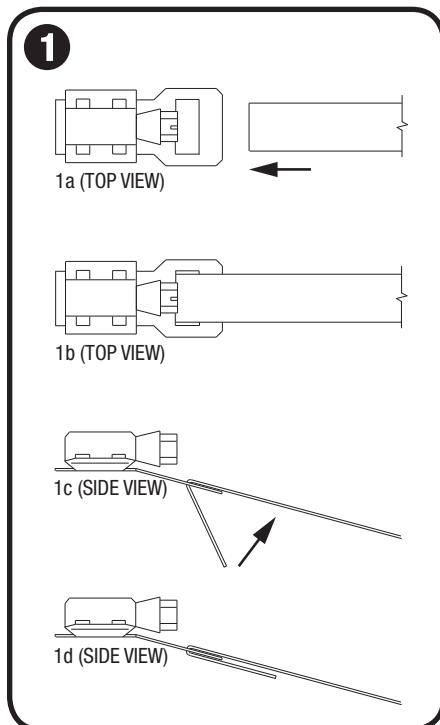
### HARDWARE INCLUDED



### TOOLS NEEDED

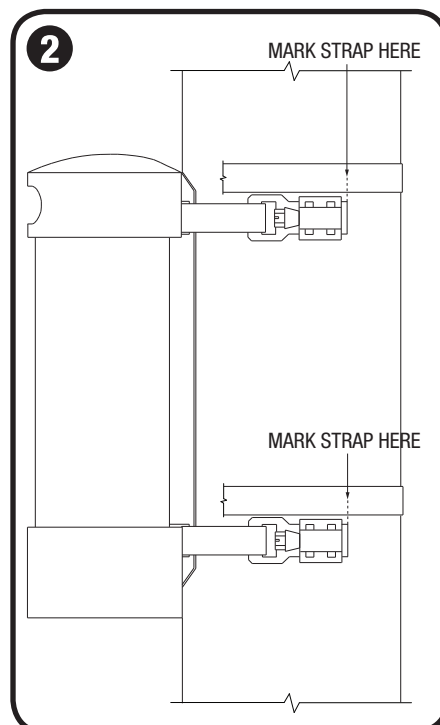


### STEP BY STEP



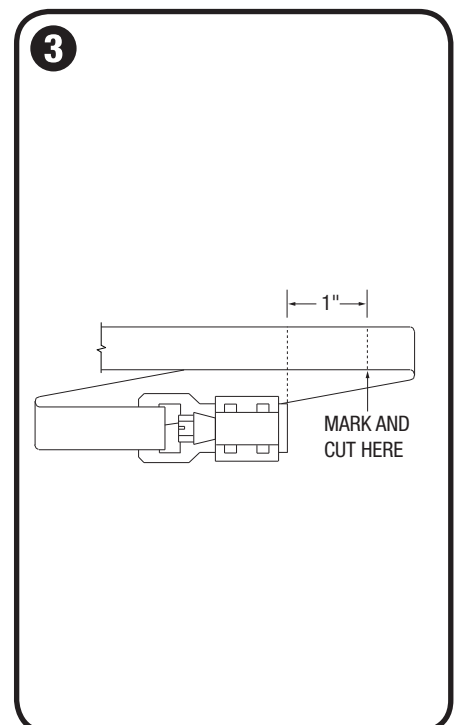
#### Attach strap to collar screw lock

- Slide 1" of plastic-coated stainless steel strap through end of screw lock and bend back against itself to secure.



#### Position receptacle and mark straps

- Slide strap through holes in Buttler strap mount and wrap around pole.
- Mark strap where it meets end of screw lock.



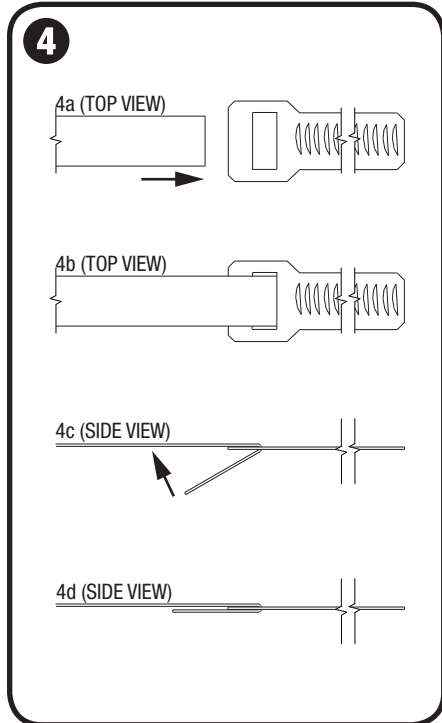
#### Mark and cut straps

- Measure 1" back from original marked location (so strap becomes 1" shorter than original marked location) and make new mark to cut. (This allows room for tightening later).
- Use snips to cut strap at new marked location.

# BUTTLER® ASH RECEPTACLE

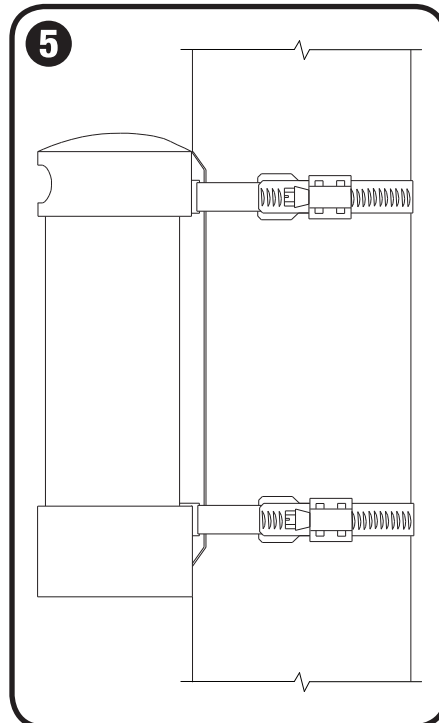
STRAP MOUNT INSTALLATION INSTRUCTIONS

## STEP BY STEP



### Attach strap to slotted strap connector

- Slide 1" of strap through end of slotted strap connector and bend back against itself to secure.



### Attach receptacle to pole

- Slide slotted strap connector into screw lock and use slotted screwdriver to rotate screw clockwise to tighten locking unit until snug.