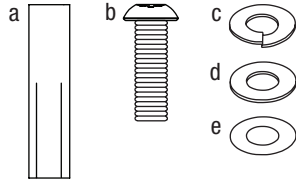


CAMBER™ BENCH

SURFACE MOUNT INSTALLATION INSTRUCTIONS

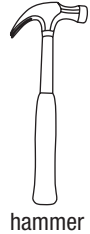
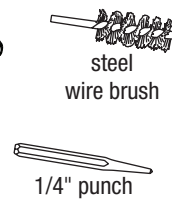
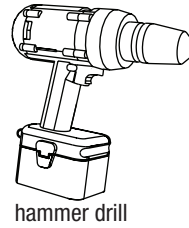
MATERIALS INCLUDED

5/16" hex bit for
tamper-resistant
screws

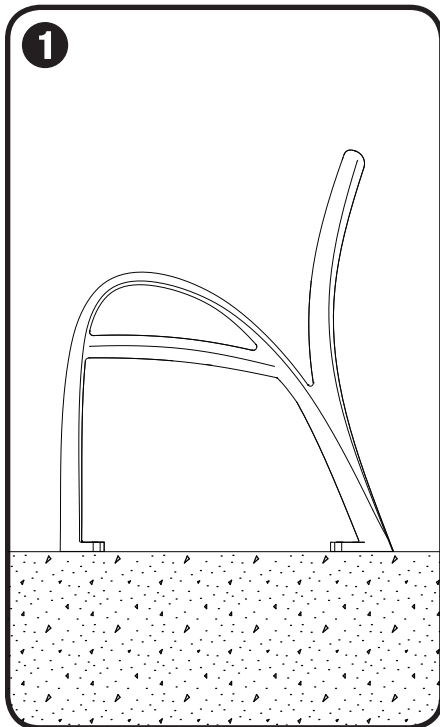


TOOLS NEEDED

pencil
3/16", 3/8" & 5/8" drill
bits for concrete

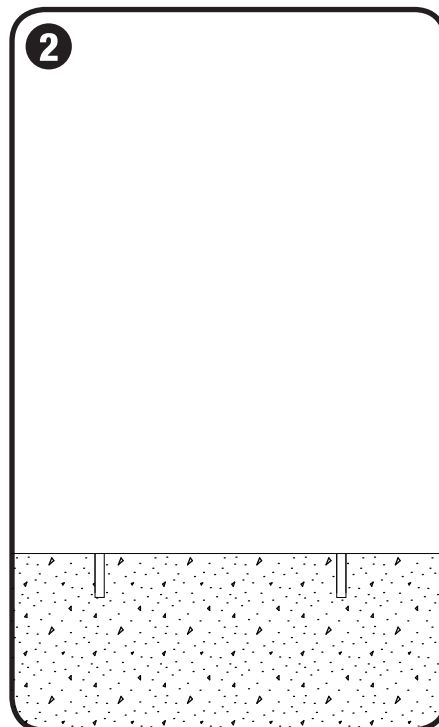


STEP BY STEP FOR ALL SURFACE MOUNTED CAMBER BENCHES (SBCAM-72B SHOWN)



Mark hole locations

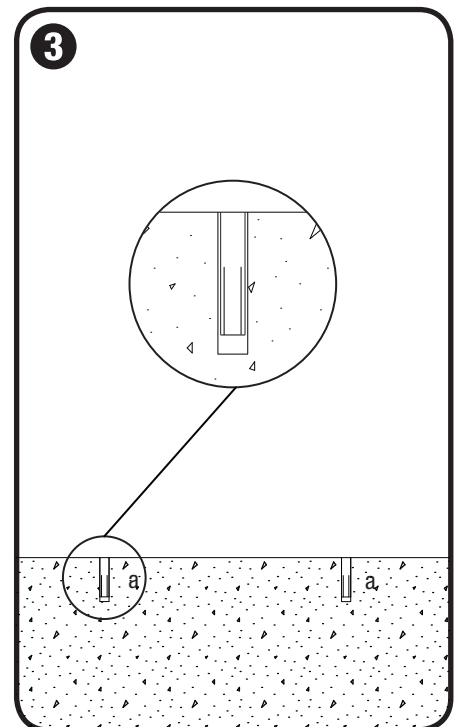
- Place bench in desired location. Mark center of each hole location with a pencil.



Drill holes

- Use hammer drill to drill 2-1/4" deep x 5/8" diameter anchor hole at each marked location using a 5/8" drill bit suitable for concrete drilling.

NOTE: Forms+Surfaces recommends starting holes with 3/16" diameter drill bit followed by 3/8" and finally 5/8" for maximum accuracy.



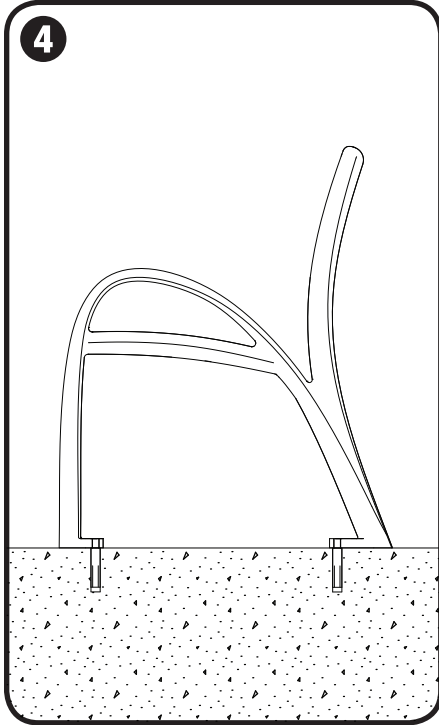
Insert & set anchors

- Use compressed air and steel wire brush to clean each anchor hole.
- Insert 1/2"-13 x 2" anchor (a) into each anchor hole and use hammer to tap anchor tops flush with ground level.
- Use 1/4" punch and hammer to set anchors by driving down the center of each anchor until it stops.

CAMBER™ BENCH

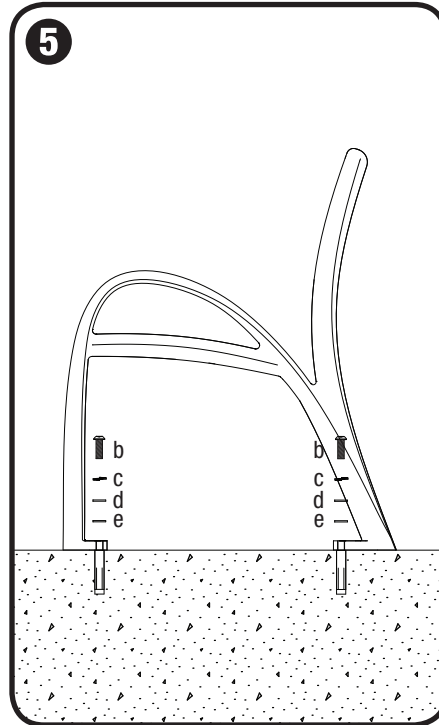
SURFACE MOUNT INSTALLATION INSTRUCTIONS

STEP BY STEP FOR ALL SURFACE MOUNTED CAMBER BENCHES (SBCAM-72B SHOWN)



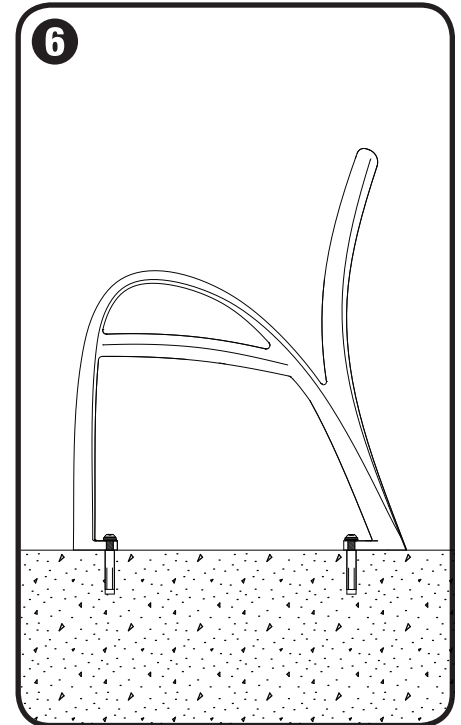
Position bench

- Position bench so that mounting holes line up with anchors.



Attach bench

- Slide 1/2" stainless steel lock washer (c), then 1/2" stainless steel flat washer (d) and 1/2" nylon flat washer (e) onto each 1/2"-13 x 1-1/2" tamper-resistant button head cap screw (b).
- Insert screws into mounting holes in bench and thread into anchors using provided 5/16" hex bit for tamper-resistant screws.



Tighten screws

- Tighten screws until snug.