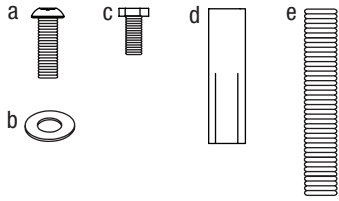


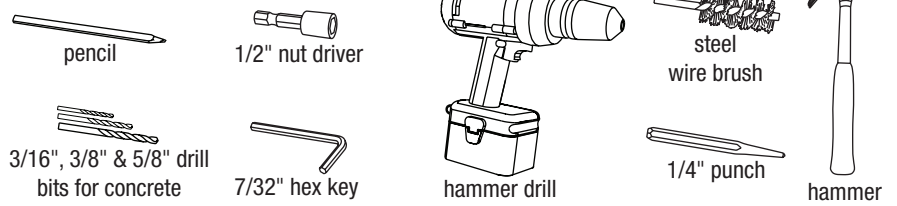
# CITRUS™ TABLE

## SURFACE MOUNT INSTALLATION INSTRUCTIONS

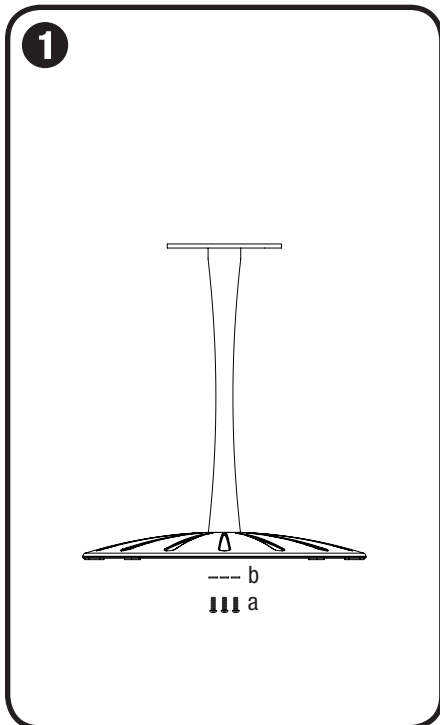
### MATERIALS INCLUDED



### TOOLS NEEDED

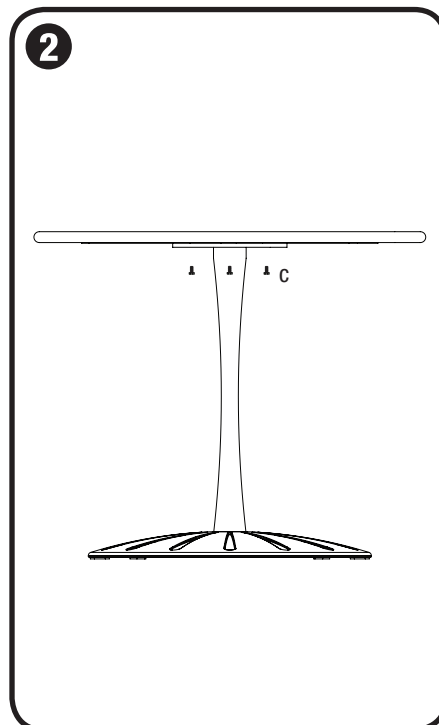


### STEP BY STEP FOR ALL SURFACE MOUNTED CITRUS TABLES



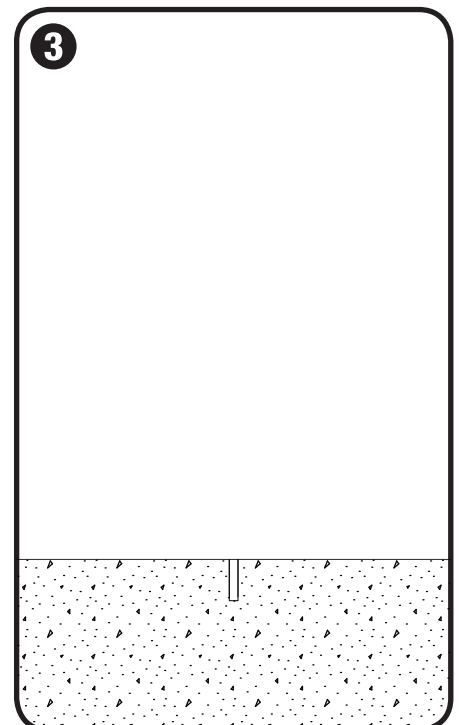
#### Attach base to column

- Slide 3/8" stainless steel flat washer (b) onto each 3/8"-16 x 1-1/2" button head cap screw (a) and attach base to column using 7/32" hex key.



#### Attach table top to column

- Use drill with 1/2" nut driver (or socket wrench with 1/2" socket) to attach table top to column with 5/16"-18 x 3/4" hex head bolts (c).



#### Mark and drill anchor hole

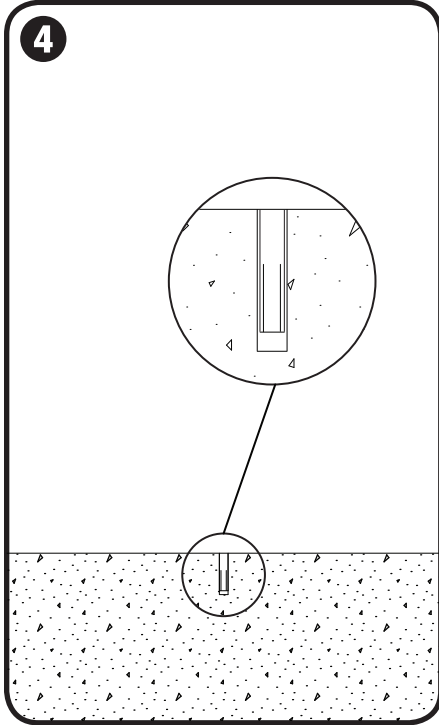
- Locate desired position for center of table on ground and mark with a pencil. Use hammer drill to drill 2-1/4" deep x 5/8" diameter anchor hole at marked location using a 5/8" drill bit suitable for concrete drilling.

NOTE: Forms+Surfaces recommends starting holes with 3/16" diameter drill bit followed by 3/8" and finally 5/8" for maximum accuracy.

# CITRUS™ TABLE

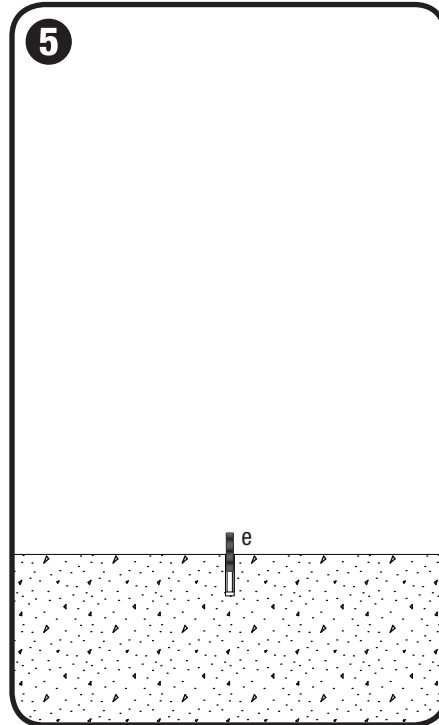
## SURFACE MOUNT INSTALLATION INSTRUCTIONS

### STEP BY STEP FOR ALL SURFACE MOUNTED CITRUS TABLES



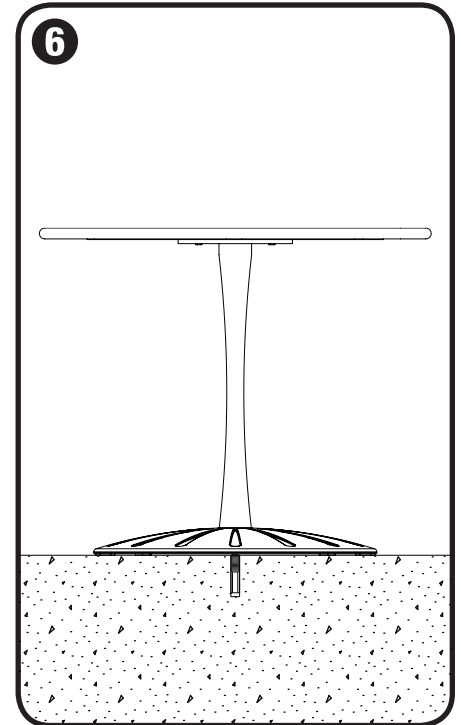
#### Insert and set anchor

- Use compressed air and steel wire brush to clean anchor hole.
- Insert 1/2"-13 x 2" anchor (d) into anchor hole and use hammer to tap anchor top flush with ground level.
- Use 1/4" punch and hammer to set anchor by driving down the center of anchor until it stops.



#### Insert all-thread rod

- Thread 1/2"-13 x 3" all-thread rod (e) into anchor until it stops.



#### Attach table

- Carefully position table on top of all-thread rod and slowly rotate table clockwise until flush with ground.