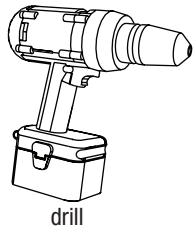


CROSS TABLE

MATERIALS INCLUDED

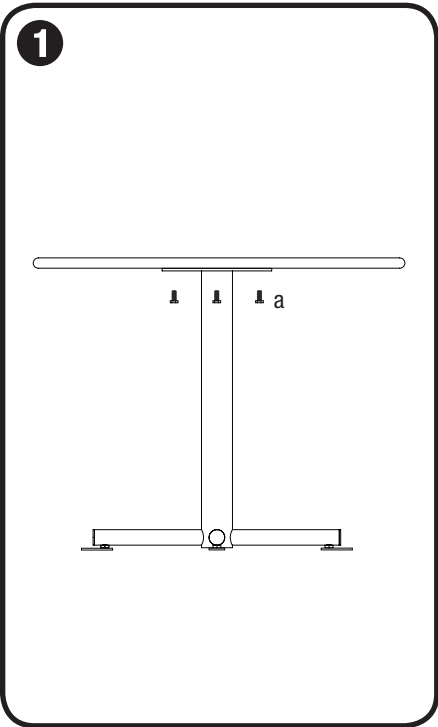


TOOLS NEEDED



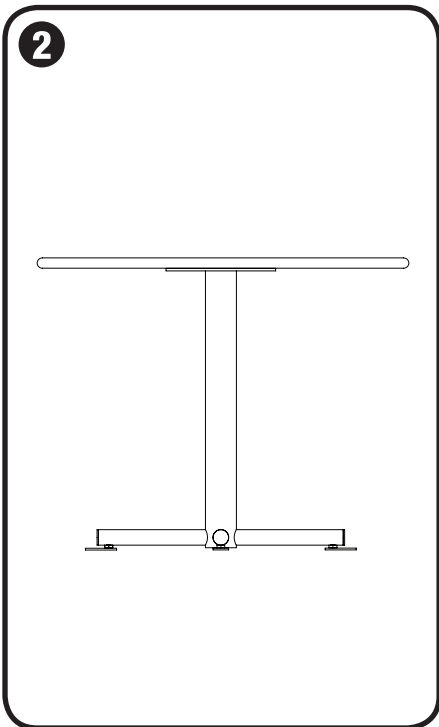
drill

STEP BY STEP FOR ALL FREESTANDING CROSS TABLES



Attach table top to column

- Use drill with 1/2" nut driver (or socket wrench with 1/2" socket) to attach table top to column with 5/16"-18 x 3/4" hex head bolts (a).



Tighten screws

- Tighten screws until snug.