

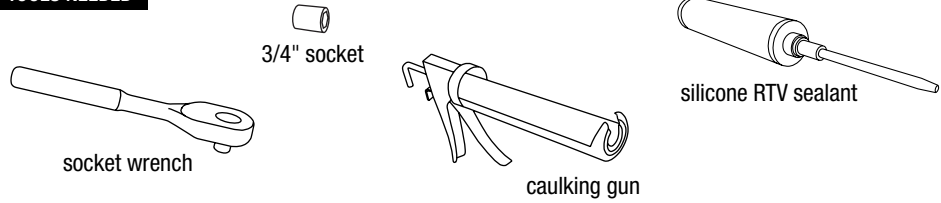
CYRCA™ M30-P1/K4 SECURITY BOLLARD

SECURITY BOLLARD WIRING & INSTALLATION INSTRUCTIONS

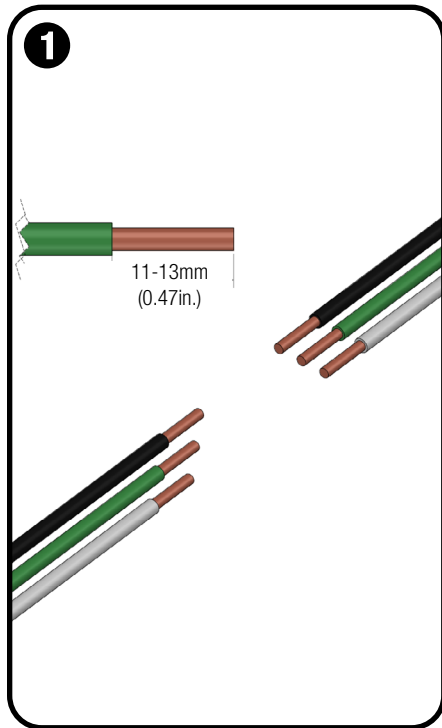
MATERIALS INCLUDED



TOOLS NEEDED

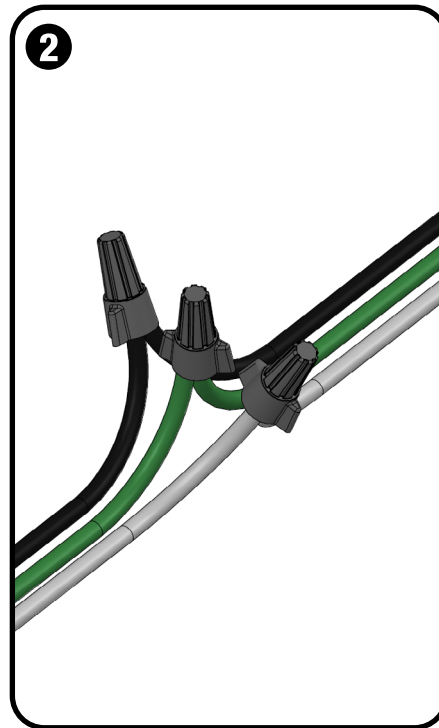


STEP BY STEP WIRING INSTRUCTIONS FOR ALL ILLUMINATED CYRCA BOLLARDS WITH EMBEDDED SECURITY CORES



Locate and prepare wires

- Before proceeding with wiring of luminary, check to ensure that all applicable site wiring and safety codes have been followed.
- Locate wires at base of light fixture.
- Ensure power supply is shut off and circuit being used is isolated.
- Prepare wiring from site junction box and bollard by stripping and removing 11-13mm (.47") of insulation.



Connect wires

- Insert ground (green), neutral (white), and positive (black) wires into provided wire nuts, being sure to match wire color codes from junction box to bollard.
- Tighten wire nuts until exposed wire ends are below bottom of wire nut.
- Inspect all wiring and connections before.

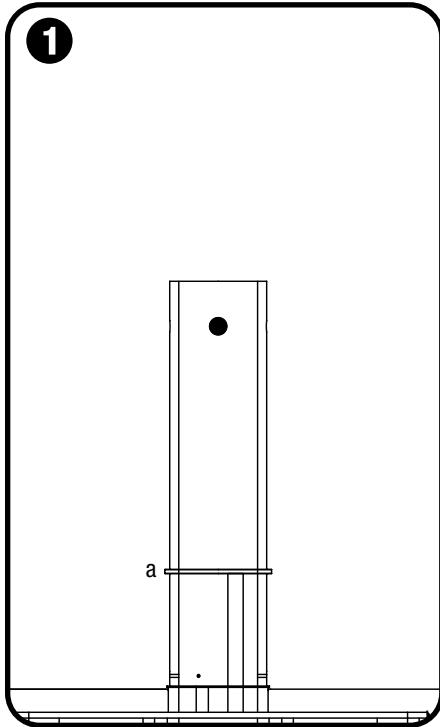
NOTES:

- Installation should be performed only by qualified individuals.
- Wire used should be 22-14 AWG copper conductors.
- Caution: Installation of a surge protector as part of each unit's wiring is recommended. Light fixture rated for 120-277 VAC power.

CYRCA™ M30-P1/K4 SECURITY BOLLARD

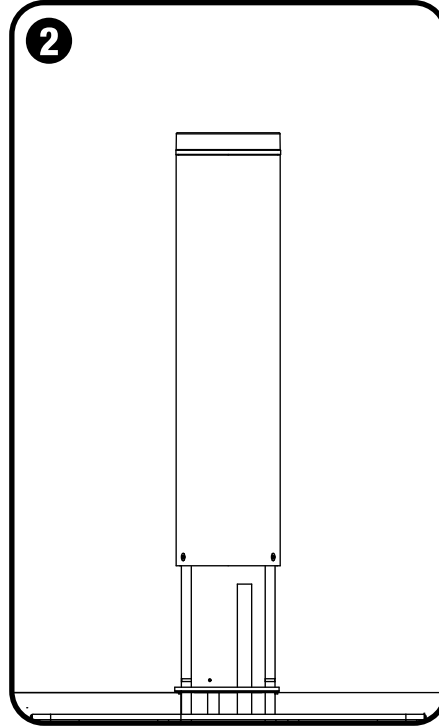
SECURITY BOLLARD WIRING & INSTALLATION INSTRUCTIONS

STEP BY STEP INSTALLATION INSTRUCTIONS FOR ALL CYRCA BOLLARDS WITH EMBEDDED SECURITY CORES



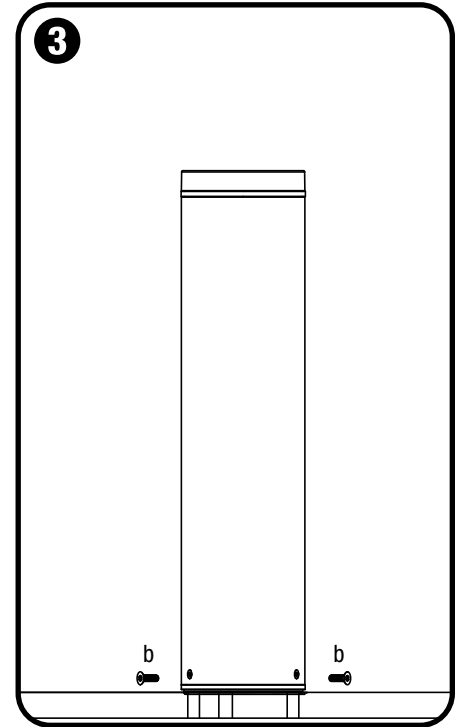
Install trim ring

- Apply a thin bead of waterproof clear silicone to the top of the flange on the security core. Take care not to over apply.
- Slide trim ring (a) over security core and drop down to flange on security core. Press down on trim ring to ensure it is fully seated on the flange.



Position bollard over security core

- Inspect security core for moisture. If moisture is present allow to dry before installing bollard. Do not install bollard unless security core is completely dry.
- Slide bollard over security core so that mounting holes in bollard body align with tapped holes in security core.

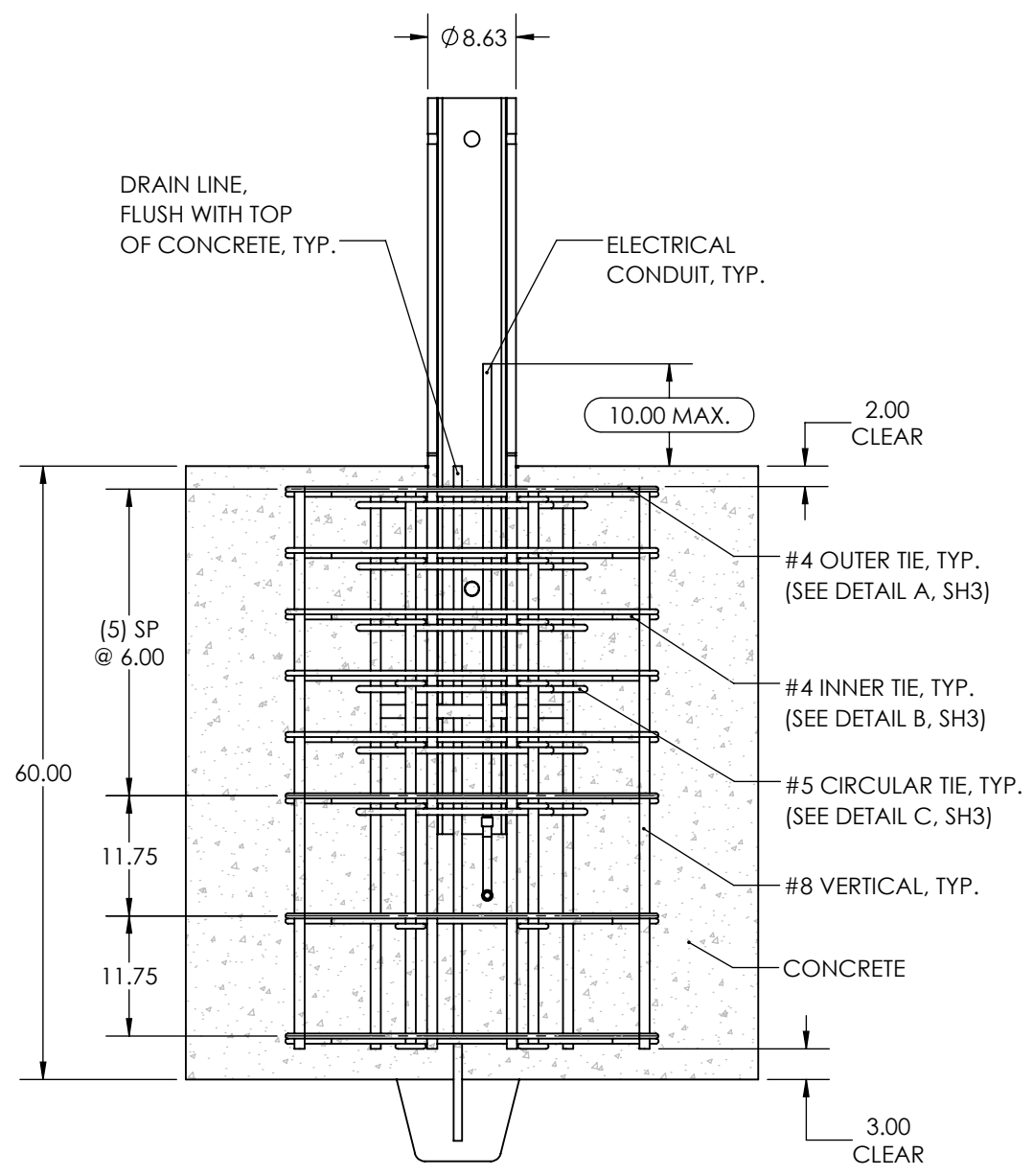


Attach bollard to security core

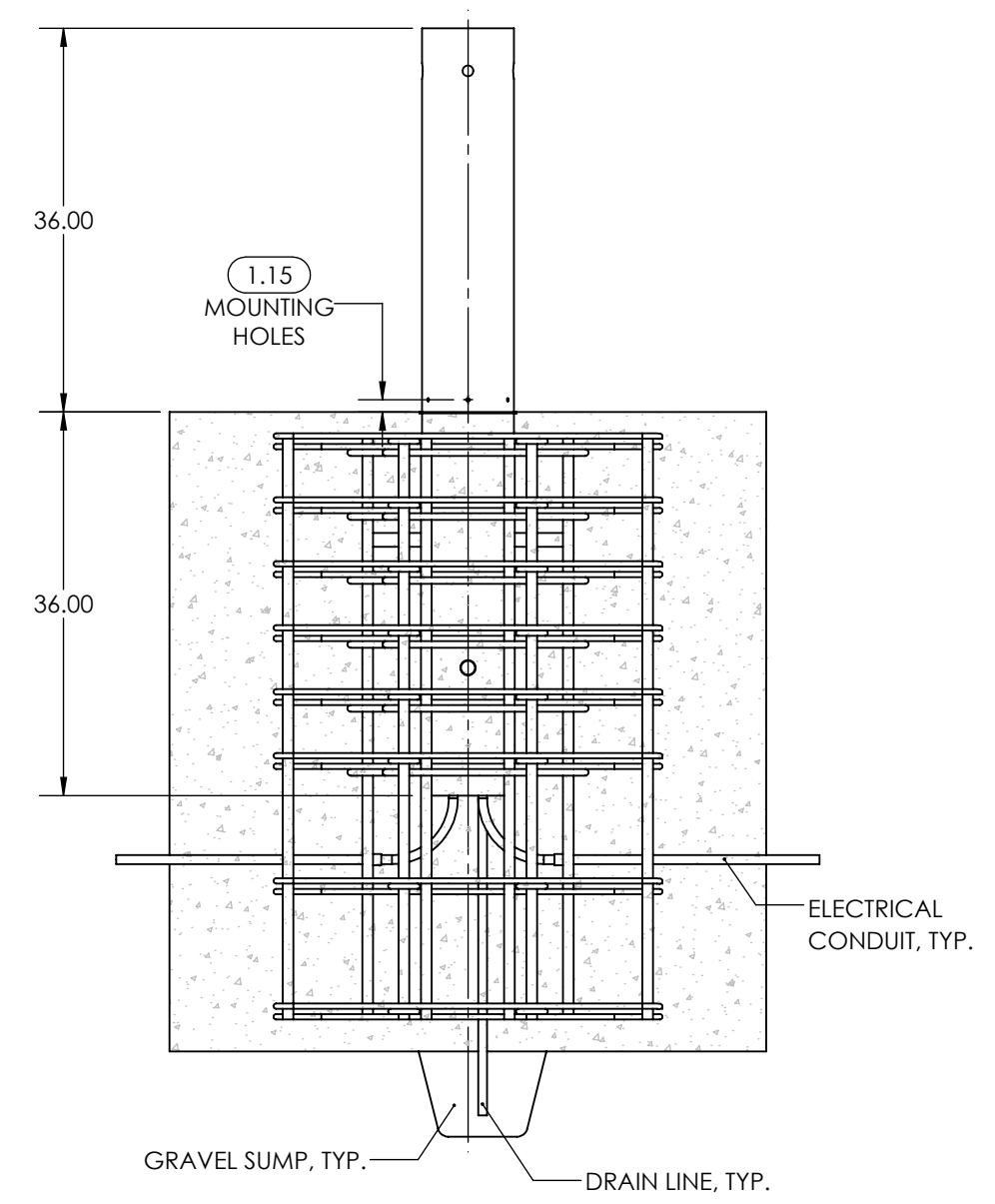
- Thread 5/16"-18x1" tamper-resistant flat head bolts (b) into each hole.
- Use provided T40 Torx bit for tamper-resistant bolts to tighten all bolts until snug.

8 7 6 5 4 3 2 1

D
C
B
A



END VIEW (PARTIAL SECTION)



SIDE VIEW (PARTIAL SECTION)

0	INITIAL RELEASE	-----	-----
REV.	DESCRIPTION	REVISED BY	DATE

UNLESS OTHERWISE SPECIFIED:
 1. PRIMARY DIM. ARE IN INCHES & SECONDARY [DIM] IN MM
 2. TOLERANCES
 FRACTIONAL: ±1/32; ANGULAR/BEND: ±1°
 TWO PLACE DECIMAL ±.030
 THREE PLACE DECIMAL ±.020
 3. REMOVE ALL BURRS AND SHARP EDGES
 THIRD ANGLE PROJECTION
 MATERIAL: N/A
 FINISH: N/A
 WEIGHT: N/A
 SCALE: NOT TO SCALE



30 Pine Street, Pittsburgh, PA 15223
 Tel (412) 781-9003 Fax (412) 781-7840

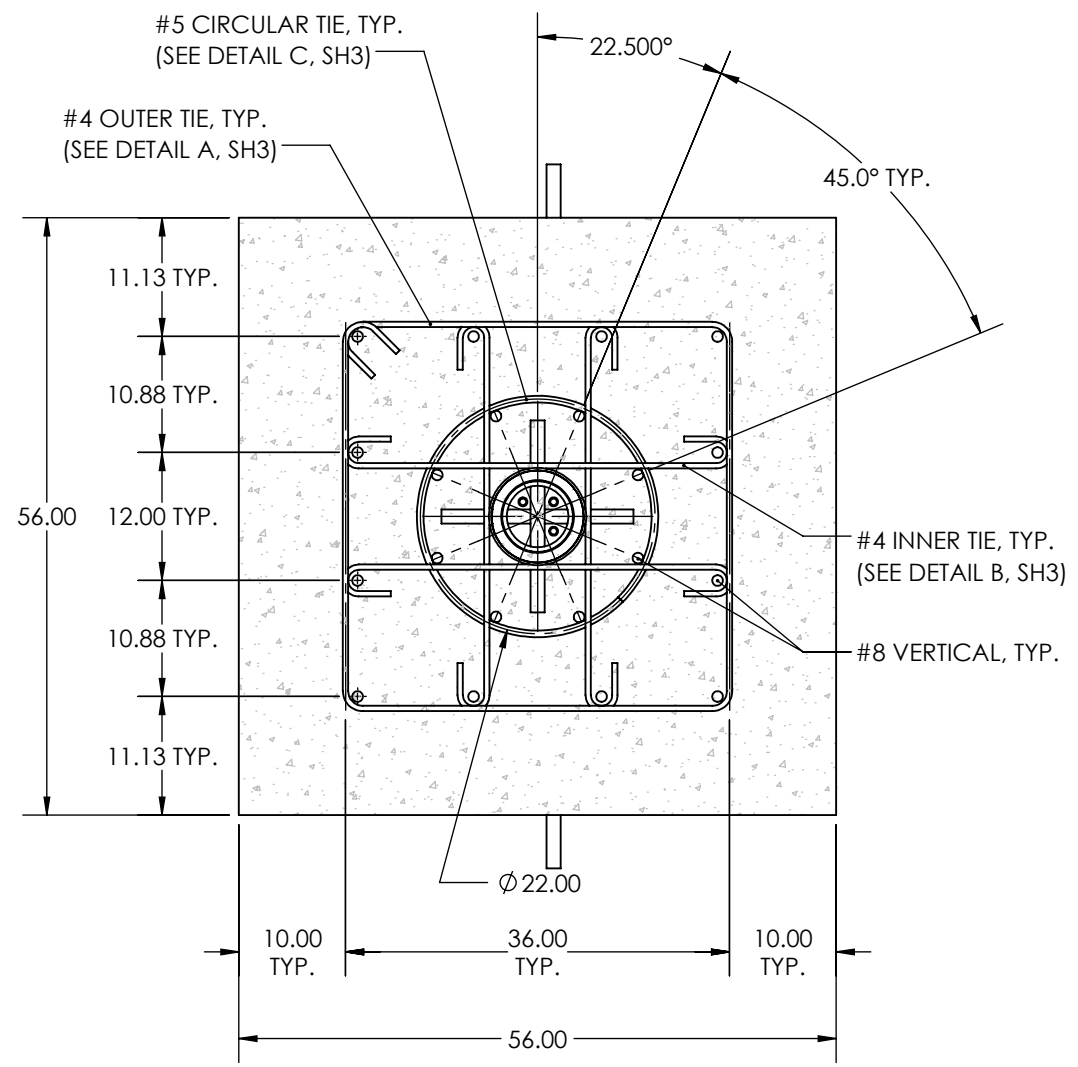
NAME	DATE
DWN	RTS 05/01/20
CHK	

DESCRIPTION:			
FORMS+SURFACES			
M30-P1 DEEP SECURITY CORE			
INDIVIDUAL FOUNDATION, NO PAVER			
SIZE	DWG. NO.	REV	SHEET
B	M30-DP-IND-NP-INSTALL	0	1 OF 3

8 7 6 5 4 3 2 1

8 7 6 5 4 3 2 1

D
C
B
A



PLAN VIEW (PARTIAL SECTION)

UNLESS OTHERWISE SPECIFIED:
 1. PRIMARY DIM. ARE IN INCHES & SECONDARY [DIM] IN MM
 2. TOLERANCES
 FRACTIONAL: ±1/32; ANGULAR/BEND: ±1°
 TWO PLACE DECIMAL ±.030
 THREE PLACE DECIMAL ±.020
 3. REMOVE ALL BURRS AND SHARP EDGES

FORMS+SURFACES 30 Pine Street, Pittsburgh, PA 15223
 Tel (412) 781-9003 Fax (412) 781-7840

NAME	DATE	DESCRIPTION: FORMS+SURFACES M30-P1 DEEP SECURITY CORE INDIVIDUAL FOUNDATION, NO PAVER
DWN	RTS 05/01/20	
CHK		

MATERIAL: N/A
 FINISH: N/A
 WEIGHT: N/A
 SCALE: NOT TO SCALE

THIRD ANGLE PROJECTION

PROPRIETARY AND CONFIDENTIAL
 THE INFORMATION CONTAINED IN THIS DRAWING IS THE SOLE PROPERTY OF FORMS + SURFACES. ANY REPRODUCTION IN PART OR AS A WHOLE WITHOUT WRITTEN PERMISSION IS PROHIBITED.

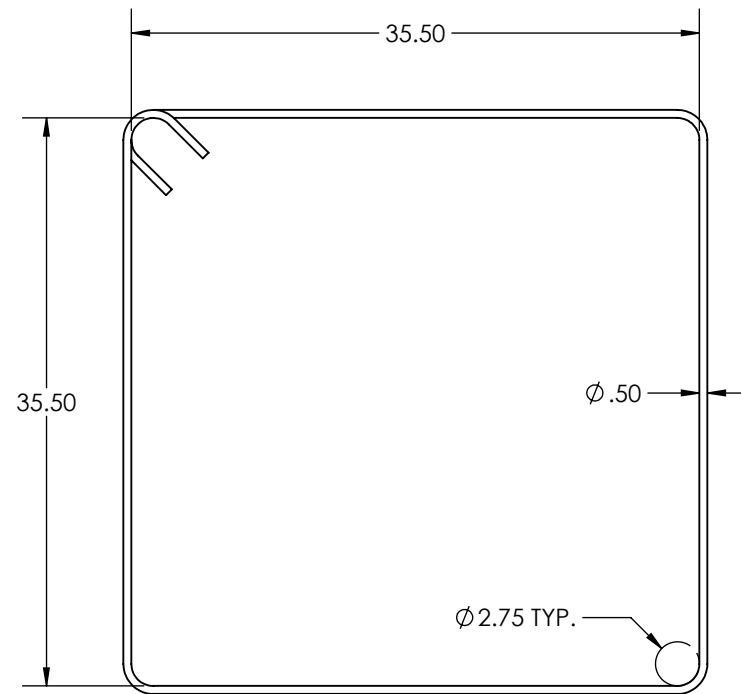
SIZE	DWG. NO.	REV	SHEET
B	M30-DP-IND-NP-INSTALL	0	2 OF 3

0	INITIAL RELEASE	-----	-----
REV.	DESCRIPTION	REVISED BY	DATE

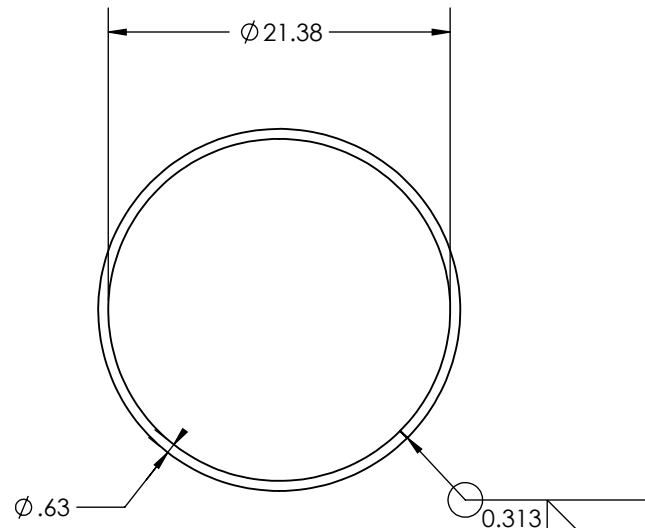
8 7 6 5 4 3 2 1

D
C
B
A

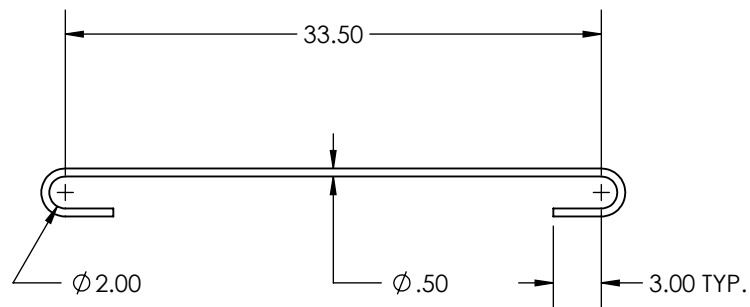
D
C
B
A



**DETAIL A
#4 OUTER TIE, TYP.**



**DETAIL C
#5 CIRCULAR TIE, TYP.**



**DETAIL B
#4 INNER TIE, TYP.**

REBAR CHART	
BAR SIZE	DIAMETER
#4	Ø 0.500
#5	Ø 0.625
#8	Ø 1.000

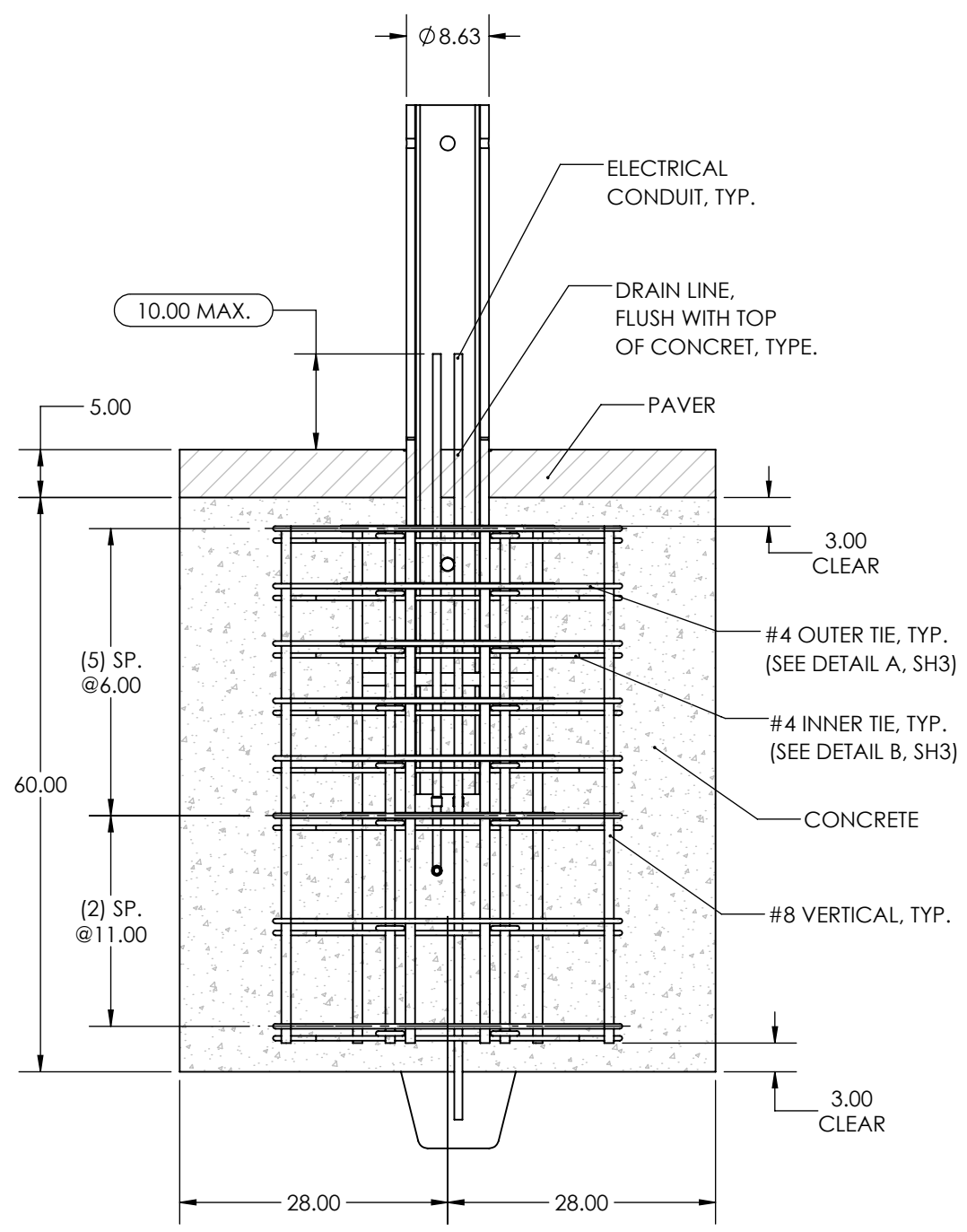
NOTES:

- FOOTINGS HAVE BEEN DESIGNED TO BEAR ON UNDISTURBED SOIL OR PROPERLY COMPACTED ENGINEERED FILL ASSUMING A NET BEARING CAPACITY OF 2000 PSF.
- REINFORCED CONCRETE WORK SHALL BE DONE IN ACCORDANCE WITH THE "BUILDING CODE REQUIREMENTS FOR REINFORCED CONCRETE" (ACI 318) AND THE SPECIFICATIONS FOR STRUCTURAL CONCRETE (ACI 301) OF THE AMERICAN CONCRETE INSTITUTE (EDITIONS AS REQUIRED BY GOVERNING CODE).
- CAST-IN-PLACE CONCRETE SHALL BE NORMAL WEIGHT CONCRETE WITH A MINIMUM 28-DAY COMPRESSIVE STRENGTH (F'C) OF 5000 PSI UNO.
- PROVIDE 6% (+/-1.5%) AIR ENTRAINMENT IN CONCRETE EXPOSED TO FREEZE/THAW.
- DEFORMED BAR REINFORCEMENT SHALL BE ASTM A615, GRADE 60; SEE CHART FOR SIZING.
- REINFORCEMENT SHALL BE SECURELY HELD IN PLACE WHILE PLACING CONCRETE. IF REQUIRED, ADDITIONAL BARS, STIRRUPS, OR CHAIRS SHALL BE PROVIDED TO FURNISH SUPPORT FOR SPECIFIED BARS.

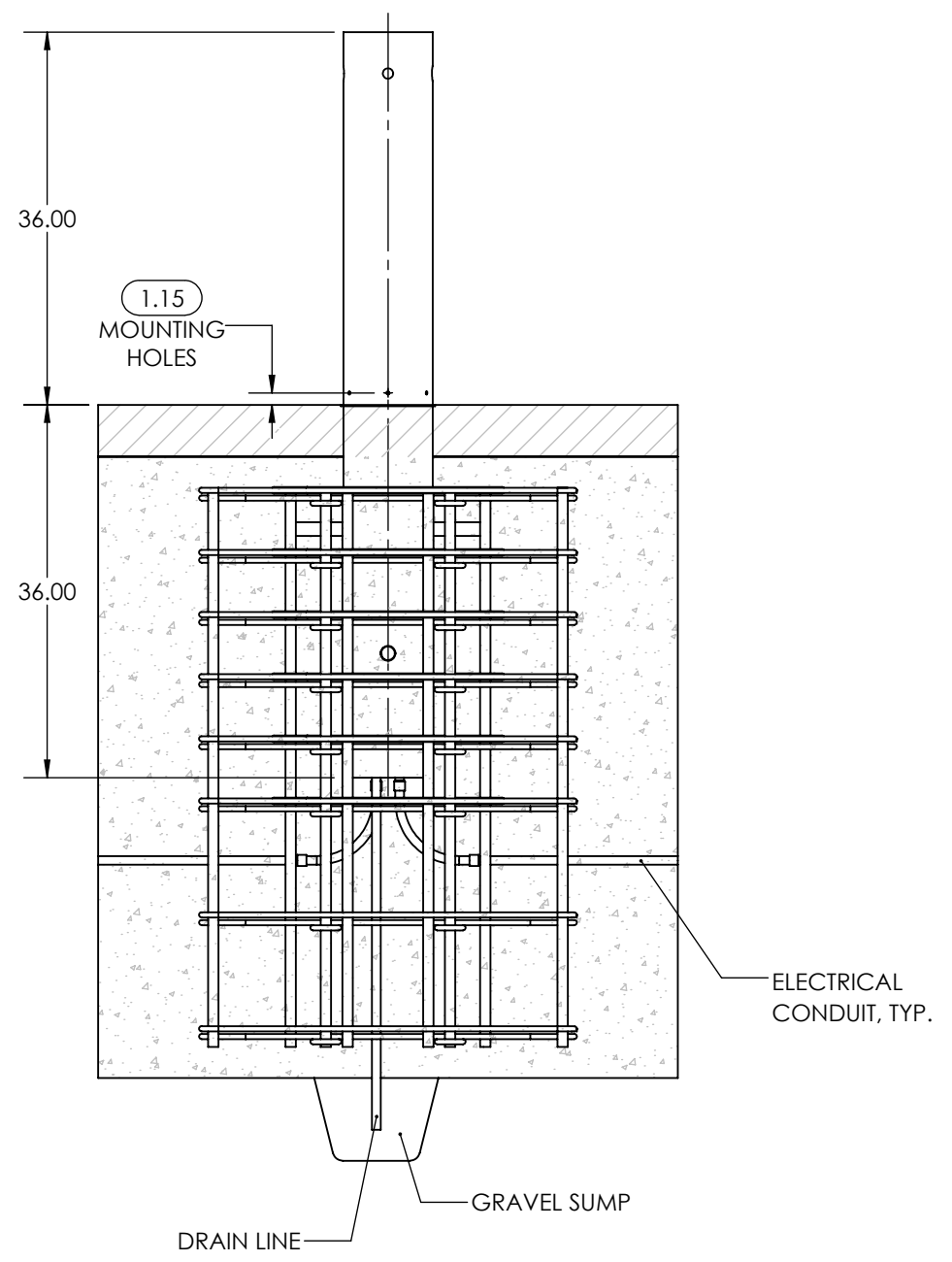
<p>UNLESS OTHERWISE SPECIFIED: 1. PRIMARY DIM. ARE IN INCHES & SECONDARY [DIM] IN MM 2. TOLERANCES FRACTIONAL: ±1/32; ANGULAR/BEND: ±1° TWO PLACE DECIMAL ±.030 THREE PLACE DECIMAL ±.020 3. REMOVE ALL BURRS AND SHARP EDGES</p>		<p>FORMS+SURFACES 30 Pine Street, Pittsburgh, PA 15223 Tel (412) 781-9003 Fax (412) 781-7840</p>	
<p>THIRD ANGLE PROJECTION</p>		<p>NAME</p>	<p>DATE</p>
<p>MATERIAL: N/A</p>		<p>DWN</p>	<p>RTS</p>
<p>FINISH: N/A</p>		<p>05/01/20</p>	
<p>WEIGHT: N/A</p>		<p>DESCRIPTION: FORMS+SURFACES M30-P1 DEEP SECURITY CORE INDIVIDUAL FOUNDATION, NO PAVER</p>	
<p>SCALE: NOT TO SCALE</p>		<p>CHK</p>	<p>DO NOT SCALE DRAWING</p>
<p>PROPRIETARY AND CONFIDENTIAL THE INFORMATION CONTAINED IN THIS DRAWING IS THE SOLE PROPERTY OF FORMS + SURFACES. ANY REPRODUCTION IN PART OR AS A WHOLE WITHOUT WRITTEN PERMISSION IS PROHIBITED.</p>		<p>SIZE</p>	<p>DWG. NO.</p>
<p>REV. 0</p>		<p>B</p>	<p>M30-DP-IND-NP-INSTALL</p>
<p>INITIAL RELEASE</p>		<p>REV</p>	<p>0</p>
<p>DESCRIPTION</p>		<p>SHEET</p>	<p>3 OF 3</p>
<p>REVISED BY</p>		<p>DATE</p>	

8 7 6 5 4 3 2 1

D
C
B
A



END VIEW (PARTIAL SECTION)



SIDE VIEW (PARTIAL SECTION)

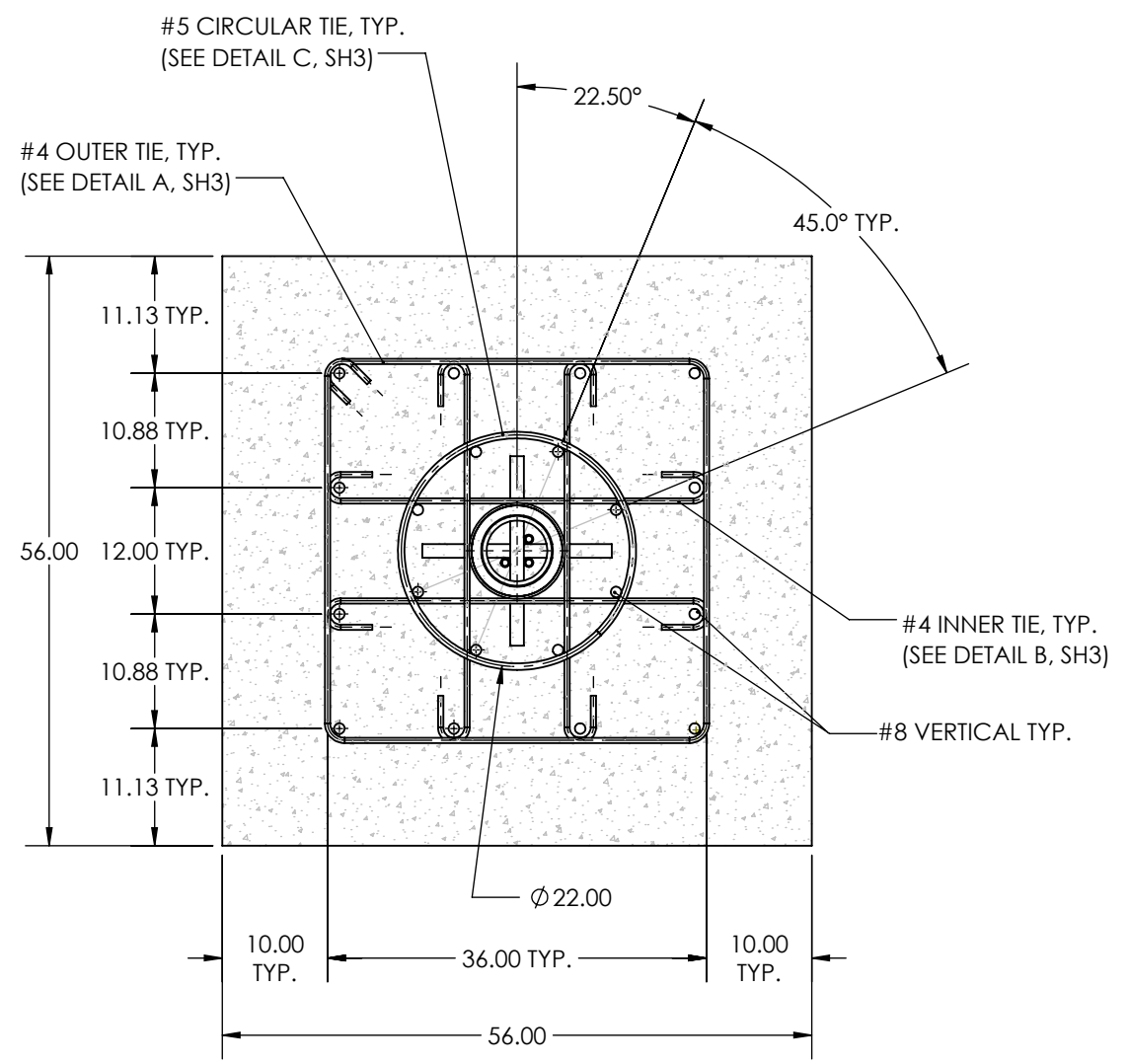
REV.	DESCRIPTION	REVISED BY	DATE
0	INITIAL RELEASE	-----	-----

UNLESS OTHERWISE SPECIFIED: 1. PRIMARY DIM. ARE IN INCHES & SECONDARY [DIM] IN MM 2. TOLERANCES FRACTIONAL: ±1/32; ANGULAR/BEND: ±1° TWO PLACE DECIMAL ±.030 THREE PLACE DECIMAL ±.020 3. REMOVE ALL BURRS AND SHARP EDGES THIRD ANGLE PROJECTION		FORMS+SURFACES 30 Pine Street, Pittsburgh, PA 15223 Tel (412) 781-9003 Fax (412) 385-4715	
NAME	DATE	DESCRIPTION:	
DWN	YAF 06/29/2023	FORMS+SURFACES M30-P1 DEEP SECURITY CORE INDIVIDUAL FOUNDATION, WITH PAVER	
CHK		DO NOT SCALE DRAWING	
MATERIAL: N/A		FINISH: N/A	PROPRIETARY AND CONFIDENTIAL THE INFORMATION CONTAINED IN THIS DRAWING IS THE SOLE PROPERTY OF FORMS + SURFACES. ANY REPRODUCTION IN PART OR AS A WHOLE WITHOUT WRITTEN PERMISSION IS PROHIBITED.
		WEIGHT: N/A	
		SCALE: NOT TO SCALE	
SIZE	DWG. NO.	REV	SHEET
B	M30-DP-IND-PV-INSTALL	0	1 OF 3

8 7 6 5 4 3 2 1

8 7 6 5 4 3 2 1

D
C
B
A



PLAN VIEW (PARTIAL SECTION)

UNLESS OTHERWISE SPECIFIED:
 1. PRIMARY DIM. ARE IN INCHES & SECONDARY [DIM] IN MM
 2. TOLERANCES
 FRACTIONAL: ±1/32; ANGULAR/BEND: ±1°
 TWO PLACE DECIMAL ±.030
 THREE PLACE DECIMAL ±.020
 3. REMOVE ALL BURRS AND SHARP EDGES

THIRD ANGLE PROJECTION

MATERIAL: N/A
 FINISH: N/A
 WEIGHT: N/A
 SCALE: NOT TO SCALE

FORMS+SURFACES 30 Pine Street, Pittsburgh, PA 15223
 Tel (412) 781-9003 Fax (412) 385-4715

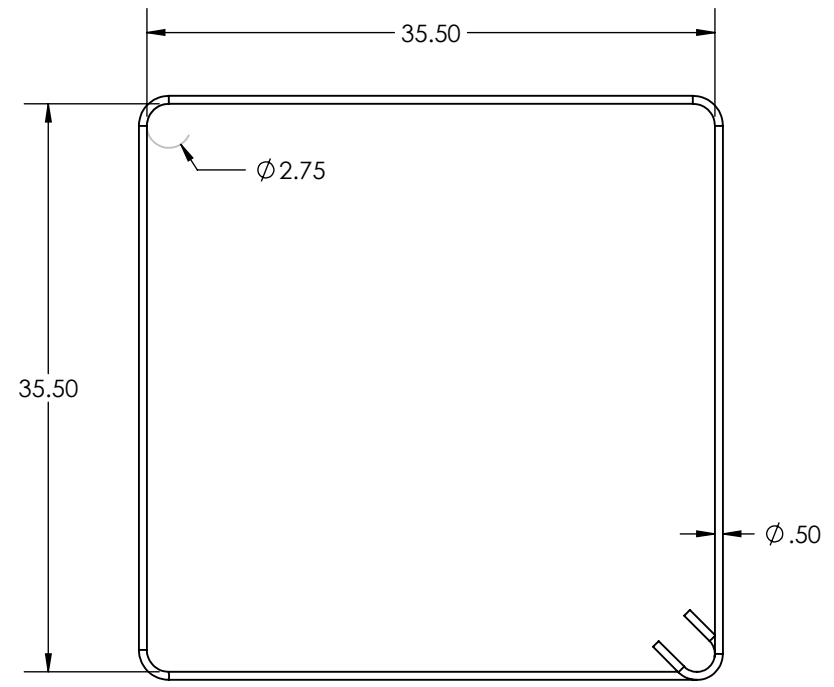
NAME	DATE	DESCRIPTION:
DWN	YAF 06/29/2023	FORMS+SURFACES M30-P1 DEEP SECURITY CORE INDIVIDUAL FOUNDATION, WITH PAVER
CHK		
DO NOT SCALE DRAWING		SIZE DWG. NO. REV SHEET
		B M30-DP-IND-PV-INSTALL 0 2 OF 3

PROPRIETARY AND CONFIDENTIAL
 THE INFORMATION CONTAINED IN THIS DRAWING IS THE SOLE PROPERTY OF FORMS + SURFACES. ANY REPRODUCTION IN PART OR AS A WHOLE WITHOUT WRITTEN PERMISSION IS PROHIBITED.

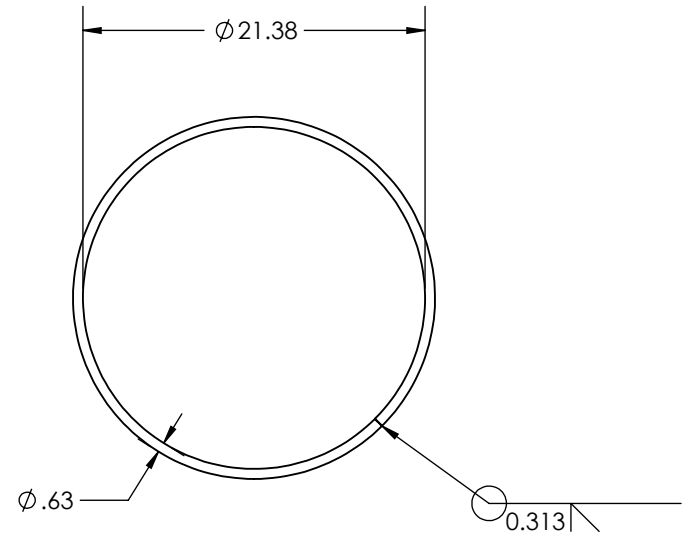
REV.	DESCRIPTION	REVISED BY	DATE
0	INITIAL RELEASE	-----	-----

8 7 6 5 4 3 2 1

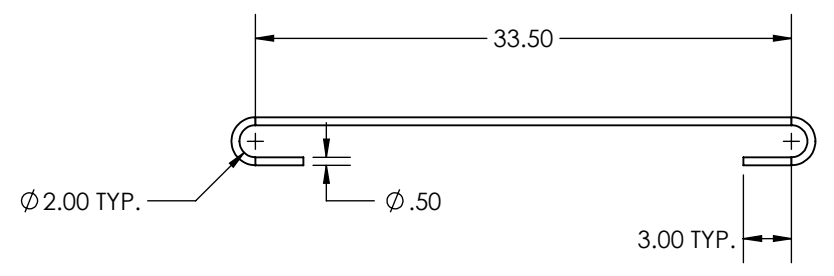
8 7 6 5 4 3 2 1



**DETAIL A
#4 OUTER TIE, TYP.**



**DETAIL C
#5 INNER TIE, TYP.**



**DETAIL B
#4 INNER TIE, TYP.**

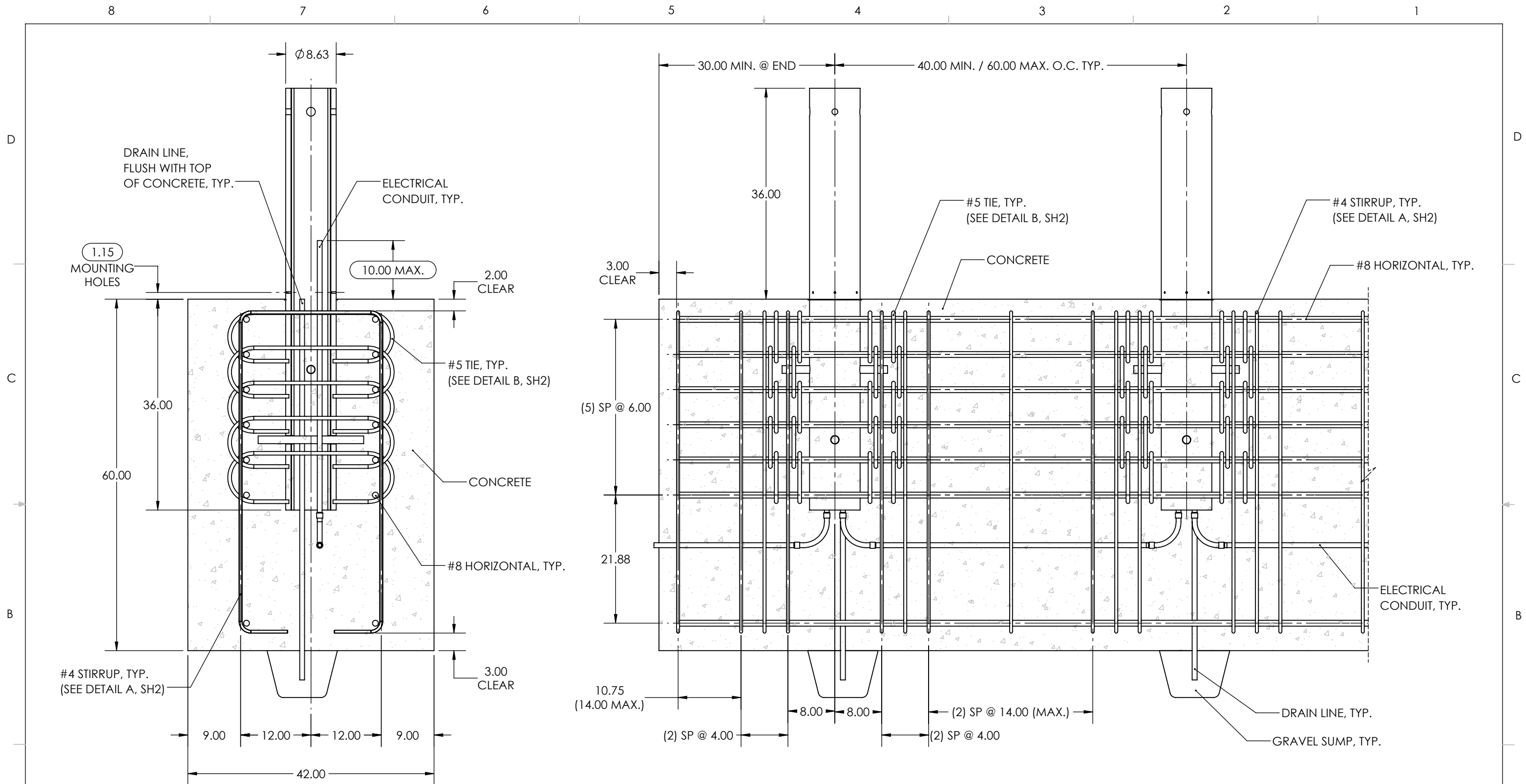
REBAR CHART	
BAR SIZE	DIAMETER
#4	$\phi 0.500$
#5	$\phi 0.625$
#8	$\phi 1.000$

NOTES:

1. FOOTINGS HAVE BEEN DESIGNED TO BEAR ON UNDISTURBED SOIL OR PROPERLY COMPACTED ENGINEERED FILL ASSUMING A NET BEARING CAPACITY OF 2000 PSF.
2. REINFORCED CONCRETE WORK SHALL BE DONE IN ACCORDANCE WITH THE "BUILDING CODE REQUIREMENTS FOR REINFORCED CONCRETE" (ACI 318) AND THE SPECIFICATIONS FOR STRUCTURAL CONCRETE (ACI 301) OF THE AMERICAN CONCRETE INSTITUTE (EDITIONS AS REQUIRED BY GOVERNING CODE).
3. CAST-IN-PLACE CONCRETE SHALL BE NORMAL WEIGHT CONCRETE WITH A MINIMUM 28-DAY COMPRESSIVE STRENGTH (F'C) OF 5000 PSI UNO.
4. PROVIDE 6% (+/-1.5%) AIR ENTRAINMENT IN CONCRETE EXPOSED TO FREEZE/THAW.
5. DEFORMED BAR REINFORCEMENT SHALL BE ASTM A615, GRADE 60; SEE CHART FOR SIZING.
6. REINFORCEMENT SHALL BE SECURELY HELD IN PLACE WHILE PLACING CONCRETE. IF REQUIRED, ADDITIONAL BARS, STIRRUPS, OR CHAIRS SHALL BE PROVIDED TO FURNISH SUPPORT FOR SPECIFIED BARS.

UNLESS OTHERWISE SPECIFIED: 1. PRIMARY DIM. ARE IN INCHES & SECONDARY [DIM] IN MM 2. TOLERANCES FRACTIONAL: $\pm 1/32$; ANGULAR/BEND: $\pm 1^\circ$ TWO PLACE DECIMAL $\pm .030$ THREE PLACE DECIMAL $\pm .020$ 3. REMOVE ALL BURRS AND SHARP EDGES 		30 Pine Street, Pittsburgh, PA 15223 Tel (412) 781-9003 Fax (412) 781-7840	
MATERIAL: N/A FINISH: N/A WEIGHT: N/A SCALE: NOT TO SCALE		NAME: DWN DATE: 06/29/2023 CHECKED: CHK	DESCRIPTION: FORMS+SURFACES M30-P1 DEEP SECURITY CORE INDIVIDUAL FOUNDATION, WITH PAVER
PROPRIETARY AND CONFIDENTIAL THE INFORMATION CONTAINED IN THIS DRAWING IS THE SOLE PROPERTY OF FORMS + SURFACES. ANY REPRODUCTION IN PART OR AS A WHOLE WITHOUT WRITTEN PERMISSION IS PROHIBITED.		SIZE: B DWG. NO.: M30-DP-IND-PV-INSTALL	REV: 0 SHEET: 3 OF 3

8 7 6 5 4 3 2 1



END VIEW (PARTIAL SECTION)

SIDE VIEW (PARTIAL SECTION)

UNLESS OTHERWISE SPECIFIED:
 1. PRIMARY DIM. ARE IN INCHES & SECONDARY [DIM] IN MM
 2. TOLERANCES
 FRACTIONAL: ±1/32; ANGULAR/BEND: ±1°
 TWO PLACE DECIMAL ±.030
 THREE PLACE DECIMAL ±.020
 3. REMOVE ALL BURRS AND SHARP EDGES

THIRD ANGLE PROJECTION

MATERIAL: N/A
 FINISH: N/A
 WEIGHT: N/A
 SCALE: NOT TO SCALE

FORMS+SURFACES 30 Pine Street, Pittsburgh, PA 15223
 Tel (412) 781-9003 Fax (412) 781-7840

NAME	DATE	DESCRIPTION:
DWN	RTS	05/01/20
CHK		

DO NOT SCALE DRAWING

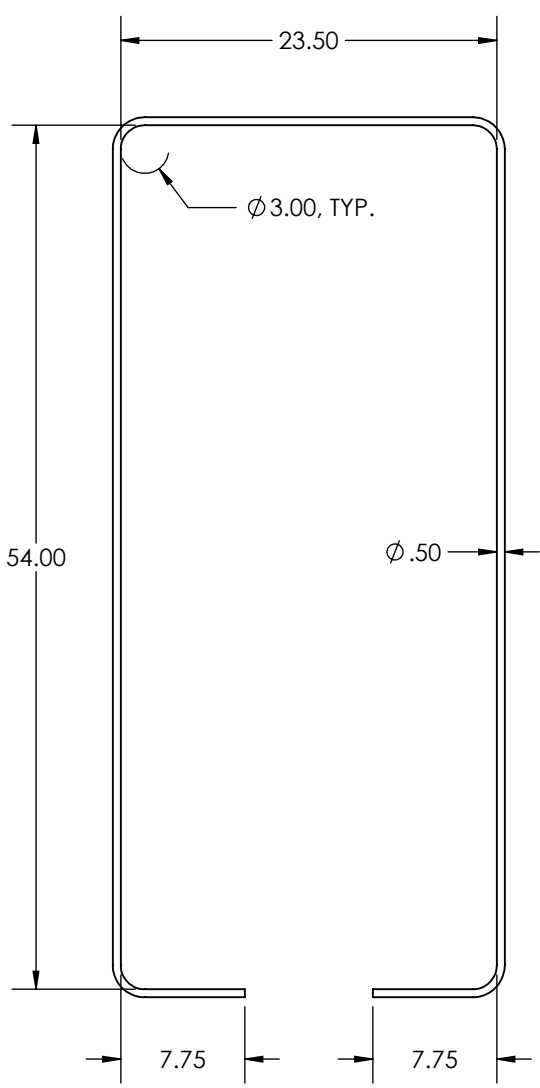
FORMS+SURFACES
M30-P1 DEEP SECURITY CORE
STRIP FOUNDATION, NO PAVER

SIZE	DWG. NO.	REV	SHEET
B	M30-DP-STR-NP-INSTALL	0	1 OF 2

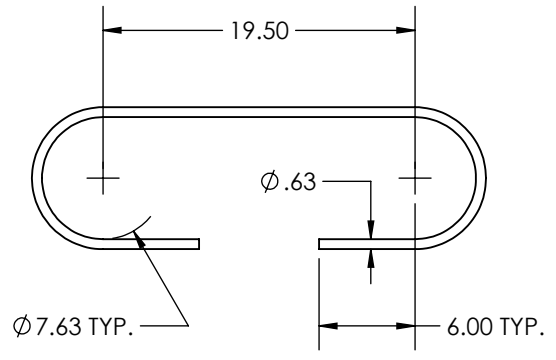
PROPRIETARY AND CONFIDENTIAL
 THE INFORMATION CONTAINED IN THIS DRAWING IS THE SOLE PROPERTY OF FORMS + SURFACES. ANY REPRODUCTION IN PART OR AS A WHOLE WITHOUT WRITTEN PERMISSION IS PROHIBITED.

REV.	DESCRIPTION	REVISED BY	DATE
0	INITIAL RELEASE	-----	-----

D
C
B
A



**DETAIL A
#4 STIRRUP, TYP.**



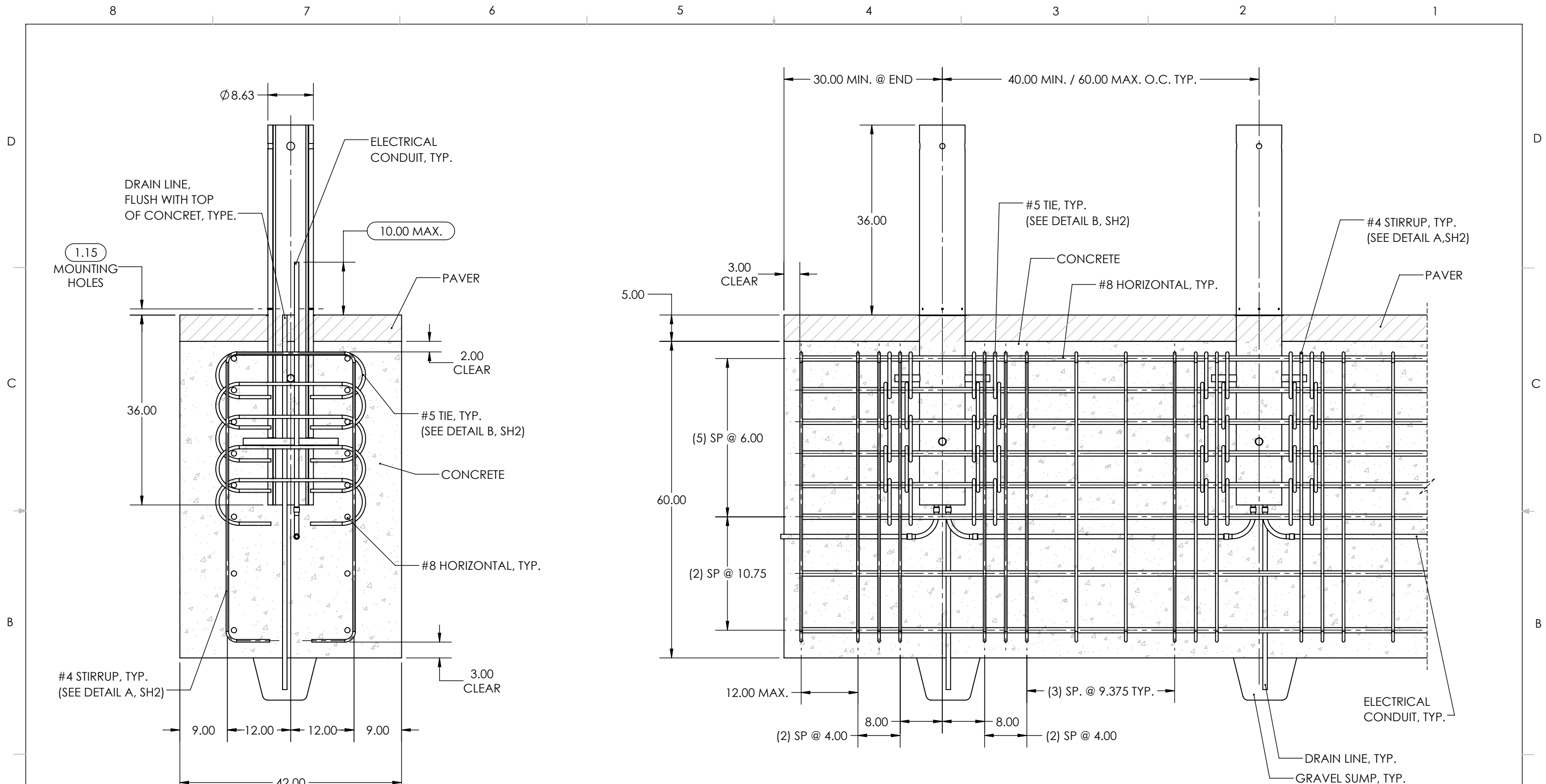
**DETAIL B
#5 TIE, TYP.**

REBAR CHART	
BAR SIZE	DIAMETER
#4	Ø 0.500
#5	Ø 0.625
#8	Ø 1.000

NOTES:

- FOOTINGS HAVE BEEN DESIGNED TO BEAR ON UNDISTURBED SOIL OR PROPERLY COMPACTED ENGINEERED FILL ASSUMING A NET BEARING CAPACITY OF 2000 PSF.
- REINFORCED CONCRETE WORK SHALL BE DONE IN ACCORDANCE WITH THE "BUILDING CODE REQUIREMENTS FOR REINFORCED CONCRETE" (ACI 318) AND THE SPECIFICATIONS FOR STRUCTURAL CONCRETE (ACI 301) OF THE AMERICAN CONCRETE INSTITUTE (EDITIONS AS REQUIRED BY GOVERNING CODE).
- CAST-IN-PLACE CONCRETE SHALL BE NORMAL WEIGHT CONCRETE WITH A MINIMUM 28-DAY COMPRESSIVE STRENGTH (F'C) OF 5000 PSI UNO.
- PROVIDE 6% (+/-1.5%) AIR ENTRAINMENT IN CONCRETE EXPOSED TO FREEZE/THAW.
- DEFORMED BAR REINFORCEMENT SHALL BE ASTM A615, GRADE 60; SEE CHART FOR SIZING.
- REINFORCEMENT SHALL BE SECURELY HELD IN PLACE WHILE PLACING CONCRETE. IF REQUIRED, ADDITIONAL BARS, STIRRUPS, OR CHAIRS SHALL BE PROVIDED TO FURNISH SUPPORT FOR SPECIFIED BARS.

UNLESS OTHERWISE SPECIFIED: 1. PRIMARY DIM. ARE IN INCHES & SECONDARY [DIM] IN MM 2. TOLERANCES FRACTIONAL: ±1/32; ANGULAR/BEND: ±1° TWO PLACE DECIMAL ±.030 THREE PLACE DECIMAL ±.020 3. REMOVE ALL BURRS AND SHARP EDGES		30 Pine Street, Pittsburgh, PA 15223 Tel (412) 781-9003 Fax (412) 781-7840	
MATERIAL: N/A FINISH: N/A WEIGHT: N/A SCALE: NOT TO SCALE		NAME: DWN DATE: 05/01/20 CHECKED: CHK	DESCRIPTION: FORMS+SURFACES M30-P1 DEEP SECURITY CORE STRIP FOUNDATION, NO PAVER
PROPRIETARY AND CONFIDENTIAL THE INFORMATION CONTAINED IN THIS DRAWING IS THE SOLE PROPERTY OF FORMS + SURFACES. ANY REPRODUCTION IN PART OR AS A WHOLE WITHOUT WRITTEN PERMISSION IS PROHIBITED.		SIZE: B DWG. NO.: M30-DP-STR-NP-INSTALL REV: 0 SHEET: 2 OF 2	



END VIEW (PARTIAL SECTION)

SIDE VIEW (PARTIAL SECTION)

UNLESS OTHERWISE SPECIFIED:
 1. PRIMARY DIM. ARE IN INCHES & SECONDARY [DIM] IN MM
 2. TOLERANCES
 FRACTIONAL: ±1/32; ANGULAR/BEND: ±1°
 TWO PLACE DECIMAL ±.030
 THREE PLACE DECIMAL ±.020
 3. REMOVE ALL BURRS AND SHARP EDGES

FORMS+SURFACES 30 Pine Street, Pittsburgh, PA 15223
 Tel (412) 781-9003 Fax (412) 385-4715

NAME	DATE	DESCRIPTION: FORMS+SURFACES M30-P1 DEEP SECURITY CORE STRIP FOUNDATION, WITH PAVER
DWN	YAF 06/29/2023	
CHK	CHK	

MATERIAL: N/A
 FINISH: N/A
 WEIGHT: N/A
 SCALE: NOT TO SCALE

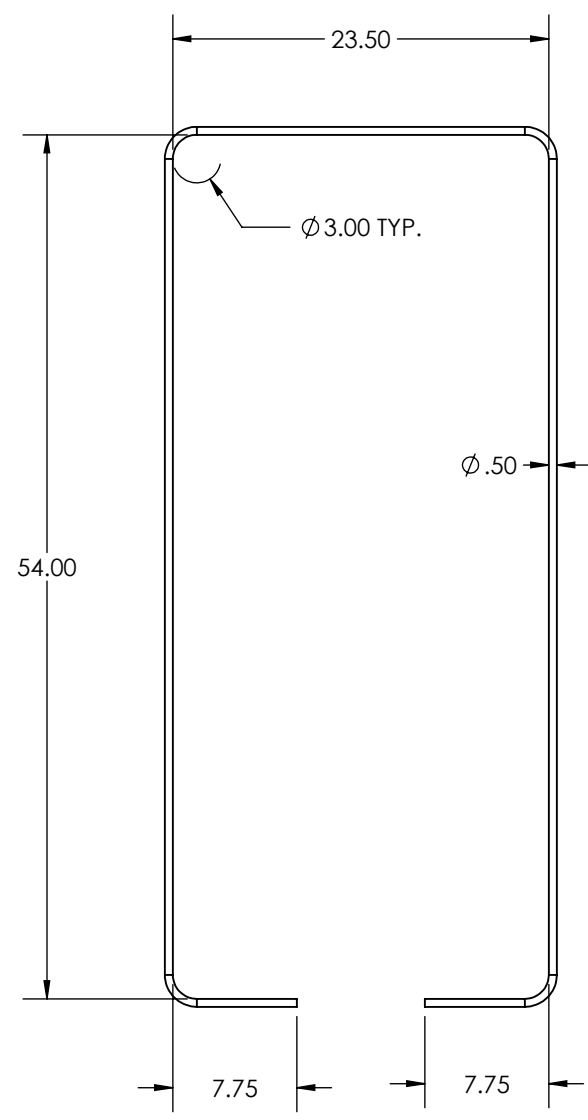
PROPRIETARY AND CONFIDENTIAL
 THE INFORMATION CONTAINED IN THIS DRAWING IS THE SOLE PROPERTY OF FORMS + SURFACES. ANY REPRODUCTION IN PART OR AS A WHOLE WITHOUT WRITTEN PERMISSION IS PROHIBITED.

SIZE	DWG. NO.	REV	SHEET
B	M30-DP-STR-PV-INSTALL	0	1 OF 2

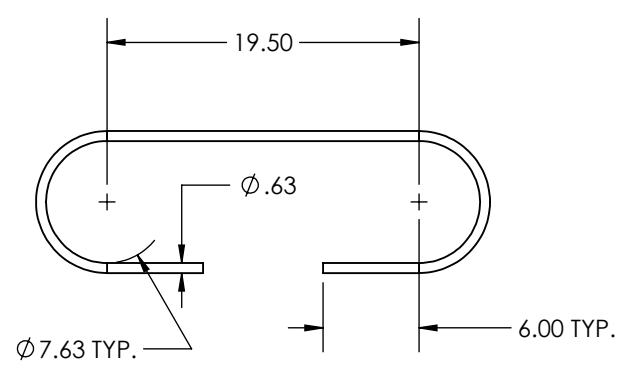
0	INITIAL RELEASE	-----	-----
REV.	DESCRIPTION	REVISED BY	DATE

8 7 6 5 4 3 2 1

D
C
B
A



**DETAIL A
#4 STIRRUP, TYP.**


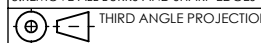


**DETAIL B
#5 TIE, TYP.**

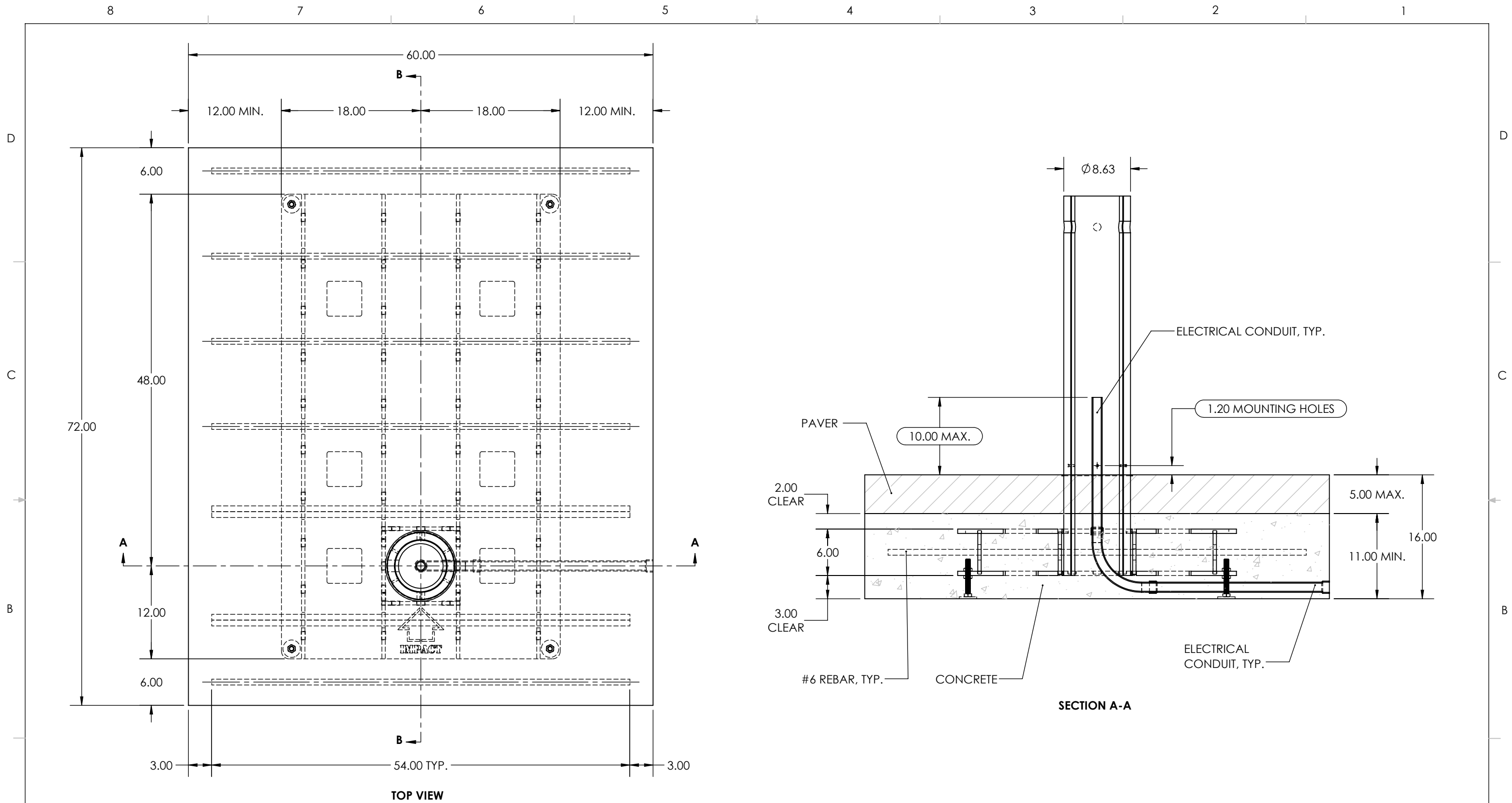
REBAR CHART	
BAR SIZE	DIAMETER
#4	Ø 0.500
#5	Ø 0.625
#8	Ø 1.000

NOTES:

1. FOOTINGS HAVE BEEN DESIGNED TO BEAR ON UNDISTURBED SOIL OR PROPERLY COMPACTED ENGINEERED FILL ASSUMING A NET BEARING CAPACITY OF 2000 PSF.
2. REINFORCED CONCRETE WORK SHALL BE DONE IN ACCORDANCE WITH THE "BUILDING CODE REQUIREMENTS FOR REINFORCED CONCRETE" (ACI 318) AND THE SPECIFICATIONS FOR STRUCTURAL CONCRETE (ACI 301) OF THE AMERICAN CONCRETE INSTITUTE (EDITIONS AS REQUIRED BY GOVERNING CODE).
3. CAST-IN-PLACE CONCRETE SHALL BE NORMAL WEIGHT CONCRETE WITH A MINIMUM 28-DAY COMPRESSIVE STRENGTH (FC) OF 5000 PSI UNO.
4. PROVIDE 6% (+/-1.5%) AIR ENTRAINMENT IN CONCRETE EXPOSED TO FREEZE/THAW.
5. DEFORMED BAR REINFORCEMENT SHALL BE ASTM A615, GRADE 60; SEE CHART FOR SIZING.
6. REINFORCEMENT SHALL BE SECURELY HELD IN PLACE WHILE PLACING CONCRETE. IF REQUIRED, ADDITIONAL BARS, STIRRUPS, OR CHAIRS SHALL BE PROVIDED TO FURNISH SUPPORT FOR SPECIFIED BARS.

UNLESS OTHERWISE SPECIFIED: 1. PRIMARY DIM. ARE IN INCHES & SECONDARY [DIM] IN MM 2. TOLERANCES FRACTIONAL: ±1/32; ANGULAR/BEND: ±1° TWO PLACE DECIMAL ±.030 THREE PLACE DECIMAL ±.020 3. REMOVE ALL BURRS AND SHARP EDGES		 30 Pine Street, Pittsburgh, PA 15223 Tel (412) 781-9003 Fax (412) 781-7840		
 THIRD ANGLE PROJECTION				
MATERIAL: N/A	FINISH: N/A	NAME	DATE	DESCRIPTION: FORMS+SURFACES M30-P1 DEEP SECURITY CORE STRIP FOUNDATION, WITH PAVER
WEIGHT: N/A	SCALE: NOT TO SCALE	DWN	YAF	
PROPRIETARY AND CONFIDENTIAL THE INFORMATION CONTAINED IN THIS DRAWING IS THE SOLE PROPERTY OF FORMS + SURFACES. ANY REPRODUCTION IN PART OR AS A WHOLE WITHOUT WRITTEN PERMISSION IS PROHIBITED.		06/29/2023	CHK	
		DO NOT SCALE DRAWING		SIZE: B DWG. NO.: M30-DP-STR-PV-INSTALL REV: 0 SHEET: 2 OF 2

8 7 6 5 4 3 2 1



TOP VIEW

SECTION A-A

UNLESS OTHERWISE SPECIFIED:

- 1. PRIMARY DIM. ARE IN INCHES & SECONDARY [DIM] IN MM
- 2. TOLERANCES
 FRACTIONAL: ±1/32; ANGULAR/BEND: ±1°
 TWO PLACE DECIMAL ±.030
 THREE PLACE DECIMAL ±.020
- 3. REMOVE ALL BURRS AND SHARP EDGES

THIRD ANGLE PROJECTION

MATERIAL: N/A

FINISH: N/A

WEIGHT: N/A

SCALE: NOT TO SCALE



30 Pine Street, Pittsburgh, PA 15223
Tel (412) 781-9003 Fax (412) 781-7840

NAME	DATE
DWN YAF	06/23/2023
CHK	

DO NOT SCALE DRAWING

PROPRIETARY AND CONFIDENTIAL
 THE INFORMATION CONTAINED IN THIS DRAWING IS THE SOLE PROPERTY OF FORMS + SURFACES. ANY REPRODUCTION IN PART OR AS A WHOLE WITHOUT WRITTEN PERMISSION IS PROHIBITED.

DESCRIPTION:			
FORMS+SURFACES			
M30-P1 SHALLOW SECURITY CORE			
INDIVIDUAL FOUNDATION, WITH PAVER			
SIZE	DWG. NO.	REV	SHEET
B	M30-SH-IND-PV-INSTALL	0	1 OF 3

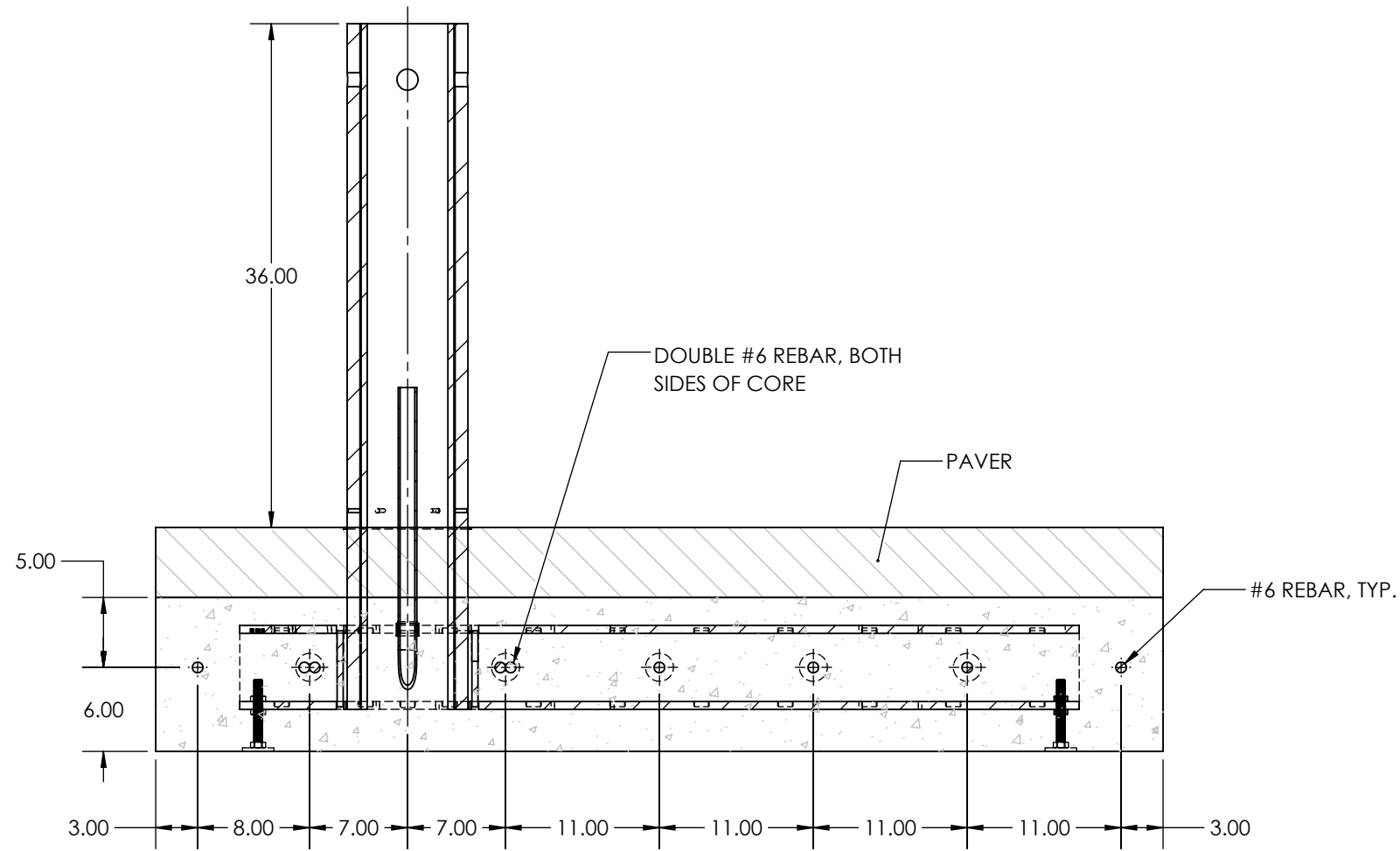
REV.	DESCRIPTION	REVISED BY	DATE
0	INITIAL RELEASE	-----	-----

D
C
B
A

D
C
B
A

NOTES:

1. FOOTINGS HAVE BEEN DESIGNED TO BEAR ON UNDISTURBED SOIL OR PROPERLY COMPACTED ENGINEERED FILL ASSUMING A NET BEARING CAPACITY OF 2000 PSF.
2. REINFORCED CONCRETE WORK SHALL BE DONE IN ACCORDANCE WITH THE "BUILDING CODE REQUIREMENTS FOR REINFORCED CONCRETE" (ACI 318) AND THE SPECIFICATIONS FOR STRUCTURAL CONCRETE (ACI 301) OF THE AMERICAN CONCRETE INSTITUTE (EDITIONS AS REQUIRED BY GOVERNING CODE).
3. CAST-IN-PLACE CONCRETE SHALL BE NORMAL WEIGHT CONCRETE WITH A MINIMUM 28-DAY COMPRESSIVE STRENGTH (F'c) OF 5000 PSI UNO.
4. PROVIDE 6% (+/-1.5%) AIR ENTRAINMENT IN CONCRETE EXPOSED TO FREEZE/THAW.
5. DEFORMED BAR REINFORCEMENT SHALL BE ASTM A615, GRADE 60; SEE CHART FOR SIZING.
6. REINFORCEMENT SHALL BE SECURELY HELD IN PLACE WHILE PLACING CONCRETE. IF REQUIRED, ADDITIONAL BARS, STIRRUPS, OR CHAIRS SHALL BE PROVIDED TO FURNISH SUPPORT FOR SPECIFIED BARS.



SECTION B-B

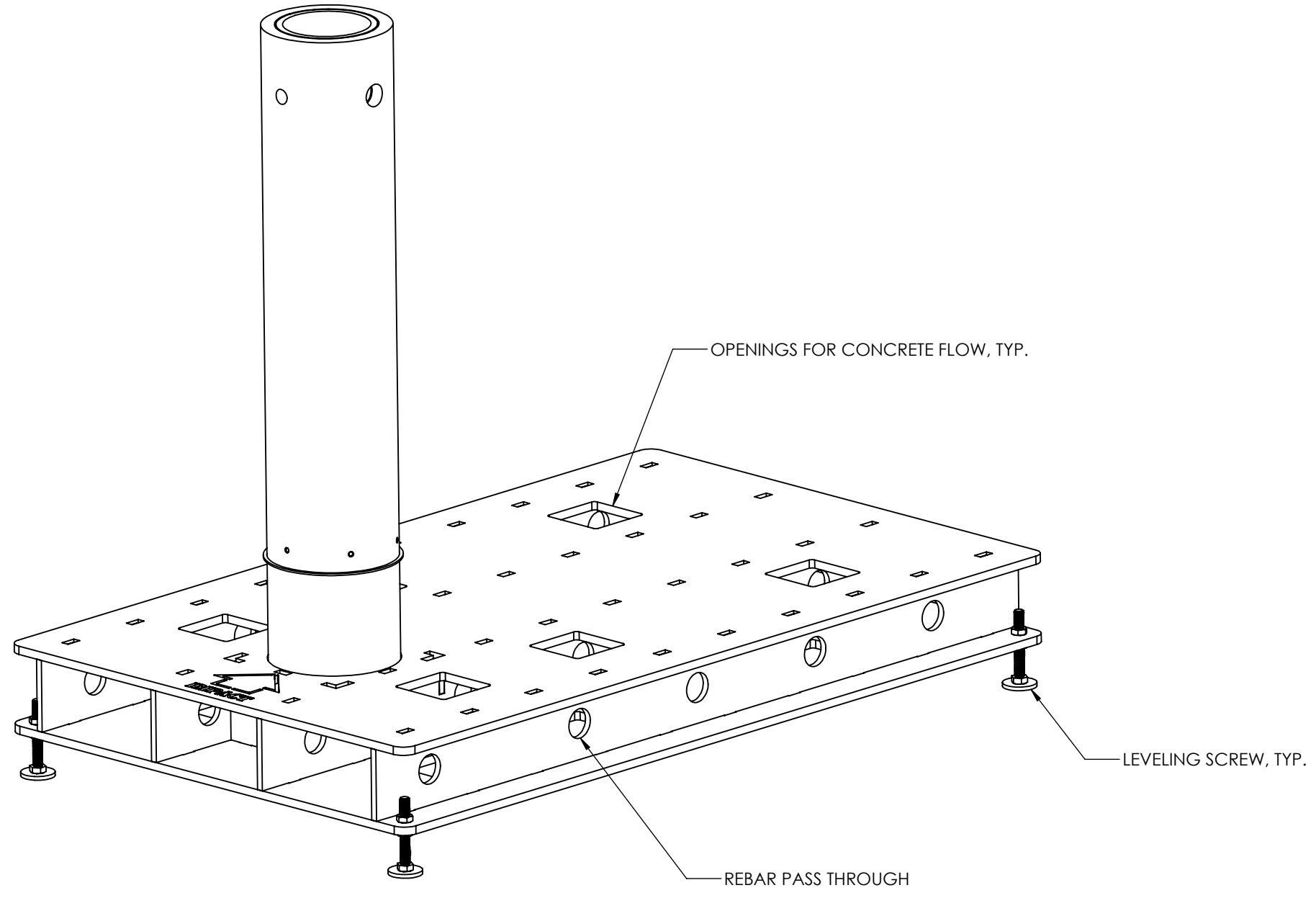
REBAR CHART	
BAR SIZE	DIAMETER
#6	Ø 0.750

<p>UNLESS OTHERWISE SPECIFIED: 1. PRIMARY DIM. ARE IN INCHES & SECONDARY [DIM] IN MM 2. TOLERANCES FRACTIONAL: ±1/32; ANGULAR/BEND: ±1° TWO PLACE DECIMAL ±.030 THREE PLACE DECIMAL ±.020 3. REMOVE ALL BURRS AND SHARP EDGES</p>		<p>FORMS+SURFACES 30 Pine Street, Pittsburgh, PA 15223 Tel (412) 781-9003 Fax (412) 781-7840</p>		
<p>THIRD ANGLE PROJECTION</p>	<p>NAME DWN YAF</p>	<p>DATE 06/23/2023</p>	<p>DESCRIPTION: FORMS+SURFACES M30-P1 SHALLOW SECURITY CORE INDIVIDUAL FOUNDATION, WITH PAVER</p>	
<p>MATERIAL: N/A</p>	<p>DO NOT SCALE DRAWING</p>			
<p>FINISH: N/A</p>	<p>PROPRIETARY AND CONFIDENTIAL THE INFORMATION CONTAINED IN THIS DRAWING IS THE SOLE PROPERTY OF FORMS + SURFACES. ANY REPRODUCTION IN PART OR AS A WHOLE WITHOUT WRITTEN PERMISSION IS PROHIBITED.</p>			
<p>WEIGHT: N/A</p>	<p>SIZE B</p>	<p>DWG. NO. M30-SH-IND-PV-INSTALL</p>		<p>REV 0</p>
<p>SCALE: NOT TO SCALE</p>				

8 7 6 5 4 3 2 1

D
C
B
A

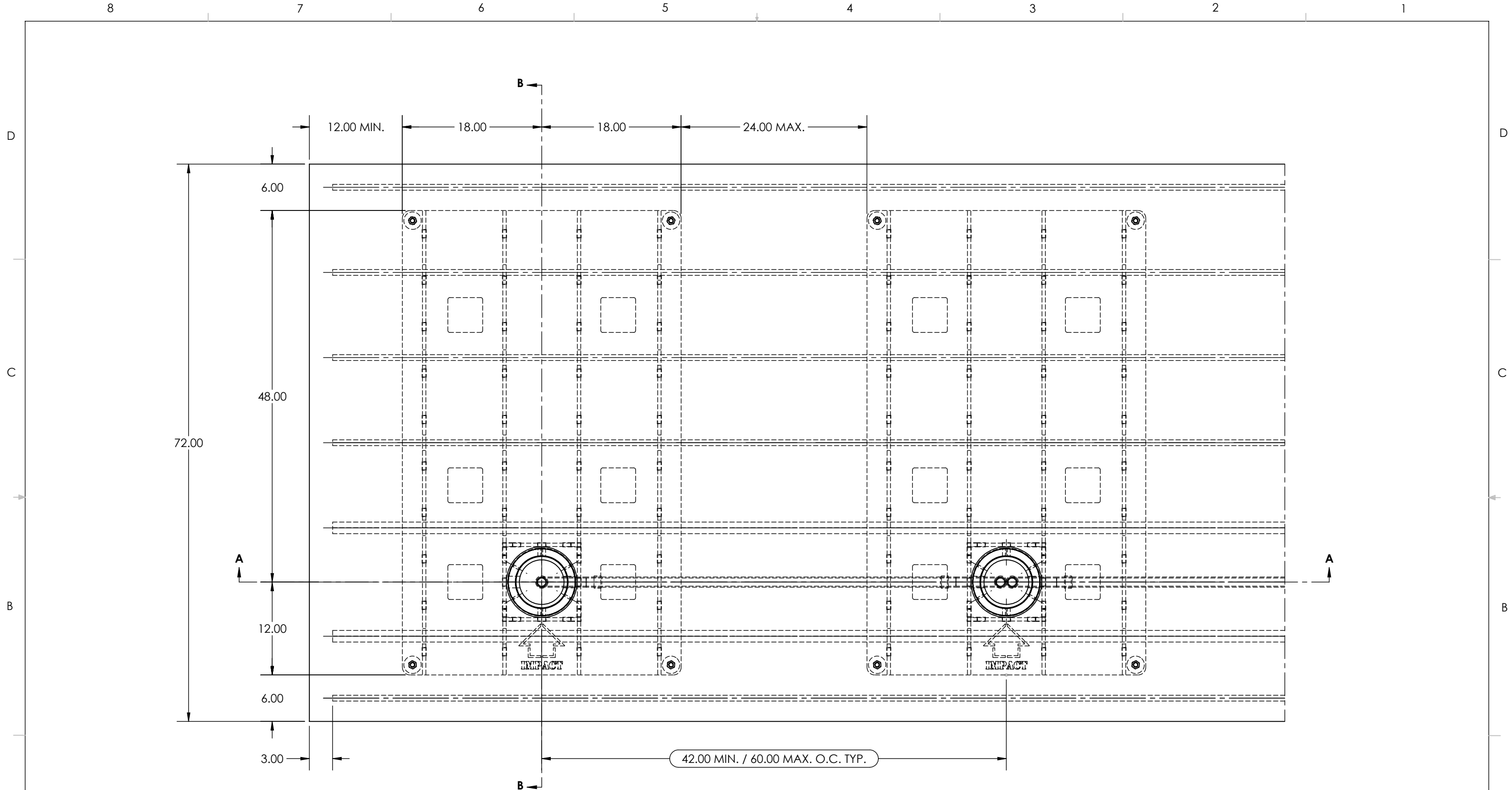
D
C
B
A



**ISOMETRIC VIEW
SECURITY CORE WELDMENT**

UNLESS OTHERWISE SPECIFIED: 1. PRIMARY DIM. ARE IN INCHES & SECONDARY [DIM] IN MM 2. TOLERANCES FRACTIONAL: $\pm 1/32$; ANGULAR/BEND: $\pm 1^\circ$ TWO PLACE DECIMAL $\pm .030$ THREE PLACE DECIMAL $\pm .020$ 3. REMOVE ALL BURRS AND SHARP EDGES				30 Pine Street, Pittsburgh, PA 15223 Tel (412) 781-9003 Fax (412) 781-7840	
THIRD ANGLE PROJECTION		NAME DWN YAF	DATE 06/23/2023	DESCRIPTION: FORMS+SURFACES M30-P1 SHALLOW SECURITY CORE INDIVIDUAL FOUNDATION, WITH PAVER	
MATERIAL: N/A		DO NOT SCALE DRAWING		SIZE B	
FINISH: N/A		PROPRIETARY AND CONFIDENTIAL <small>THE INFORMATION CONTAINED IN THIS DRAWING IS THE SOLE PROPERTY OF FORMS + SURFACES. ANY REPRODUCTION IN PART OR AS A WHOLE WITHOUT WRITTEN PERMISSION IS PROHIBITED.</small>		DWG. NO. M30-SH-IND-PV-INSTALL	REV 0
WEIGHT: N/A		SCALE: NOT TO SCALE		SHEET 3 OF 3	

8 7 6 5 4 3 2 1



TOP VIEW

UNLESS OTHERWISE SPECIFIED:
 1. PRIMARY DIM. ARE IN INCHES & SECONDARY [DIM] IN MM
 2. TOLERANCES
 FRACTIONAL: ±1/32; ANGULAR/BEND: ±1°
 TWO PLACE DECIMAL ±.030
 THREE PLACE DECIMAL ±.020
 3. REMOVE ALL BURRS AND SHARP EDGES

FORMS+SURFACES 30 Pine Street, Pittsburgh, PA 15223
 Tel (412) 781-9003 Fax (412) 781-7840

NAME	DATE	DESCRIPTION: FORMS+SURFACES M30-P1 SHALLOW SECURITY CORE STRIP FOUNDATION, WITH PAVER
DWN	JRF 07/07/2022	
CHK		

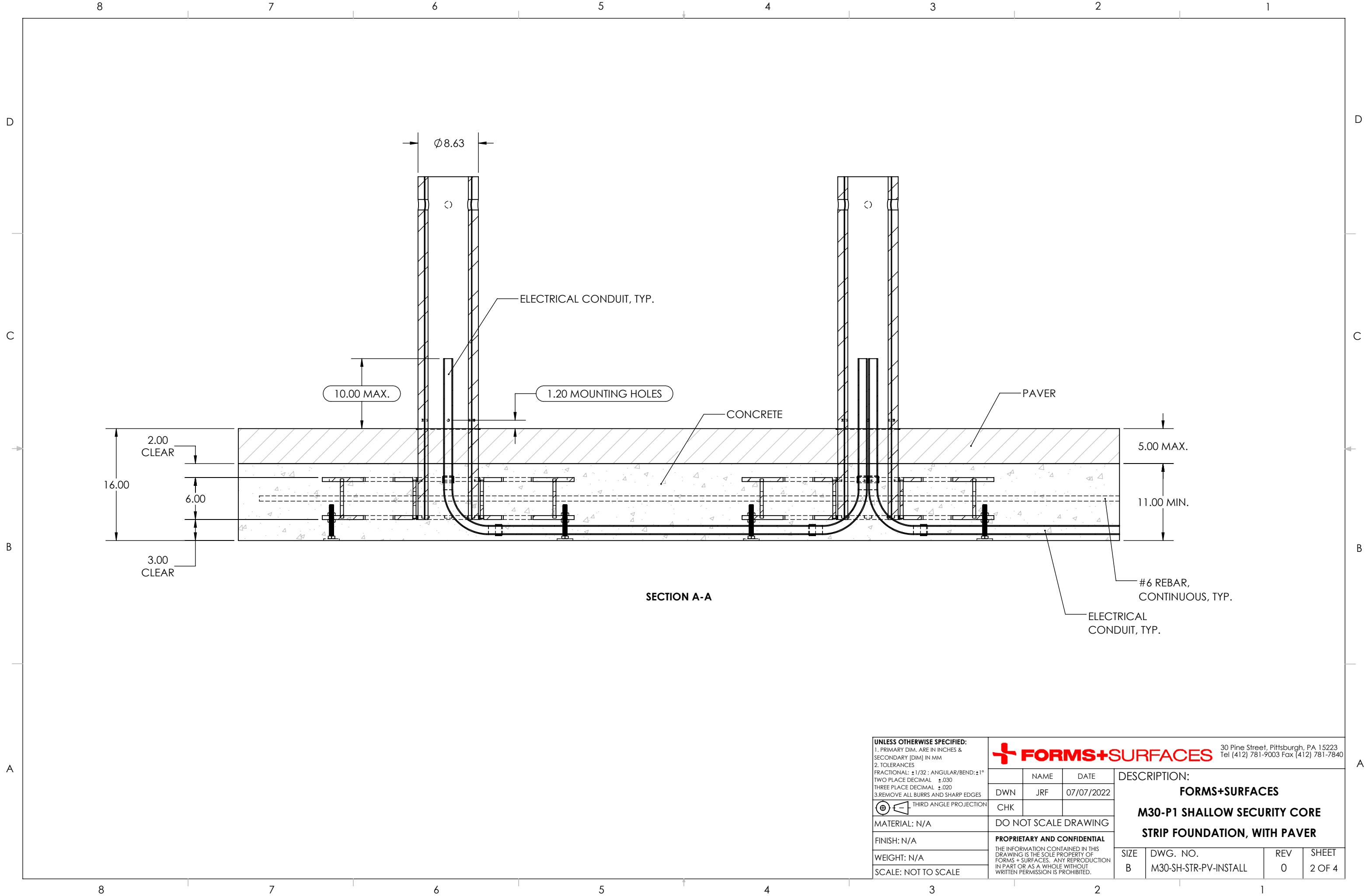
THIRD ANGLE PROJECTION

MATERIAL: N/A
 FINISH: N/A
 WEIGHT: N/A
 SCALE: NOT TO SCALE

PROPRIETARY AND CONFIDENTIAL
 THE INFORMATION CONTAINED IN THIS DRAWING IS THE SOLE PROPERTY OF FORMS + SURFACES. ANY REPRODUCTION IN PART OR AS A WHOLE WITHOUT WRITTEN PERMISSION IS PROHIBITED.

SIZE	DWG. NO.	REV	SHEET
B	M30-SH-STR-PV-INSTALL	0	1 OF 4

0	INITIAL RELEASE	-----	-----
REV.	DESCRIPTION	REVISED BY	DATE



SECTION A-A

UNLESS OTHERWISE SPECIFIED:
 1. PRIMARY DIM. ARE IN INCHES & SECONDARY [DIM] IN MM
 2. TOLERANCES
 FRACTIONAL: ±1/32; ANGULAR/BEND: ±1°
 TWO PLACE DECIMAL ±.030
 THREE PLACE DECIMAL ±.020
 3. REMOVE ALL BURRS AND SHARP EDGES

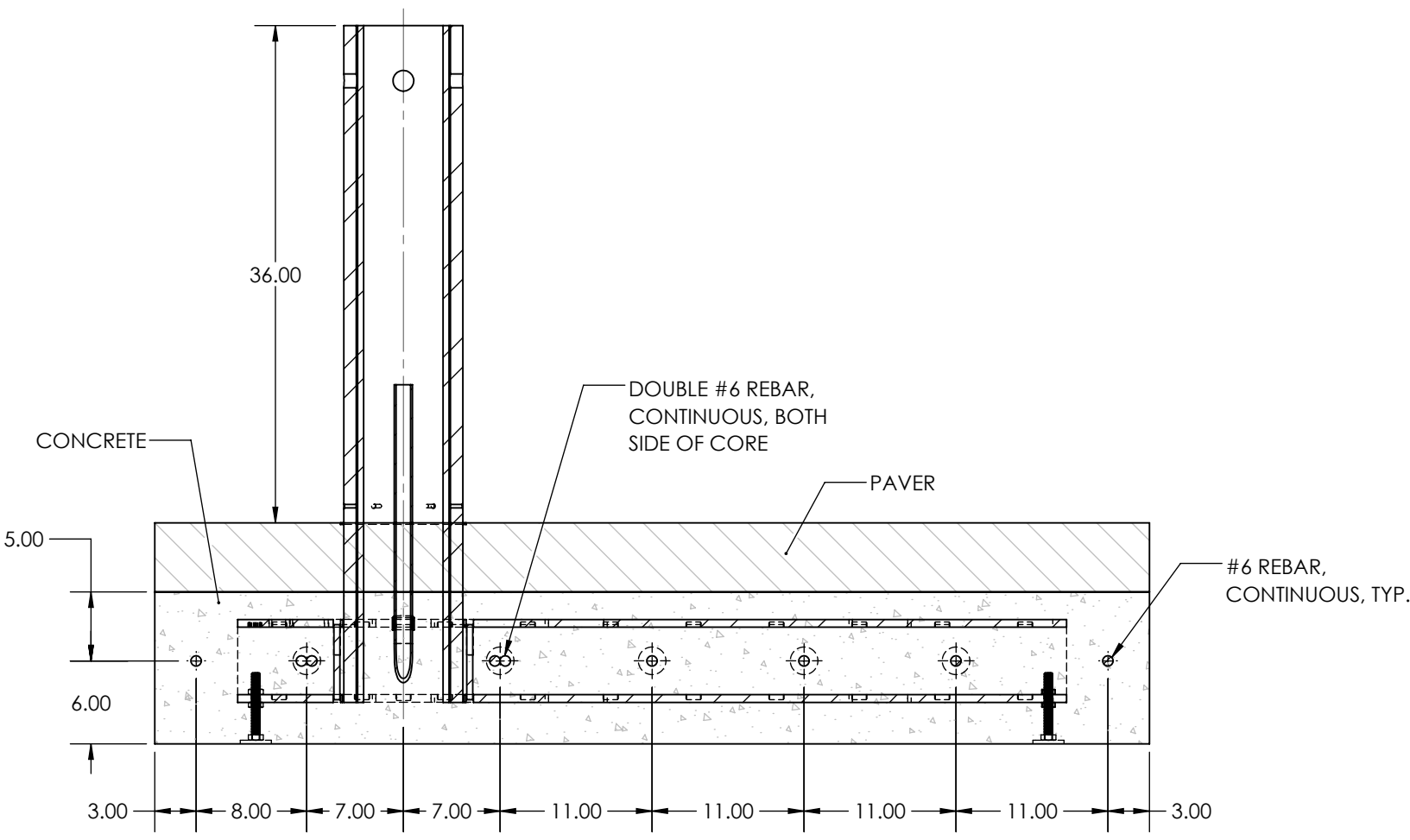
THIRD ANGLE PROJECTION

MATERIAL: N/A
 FINISH: N/A
 WEIGHT: N/A
 SCALE: NOT TO SCALE

		NAME	DATE
		DWN	JRF 07/07/2022
		CHK	
DO NOT SCALE DRAWING		PROPRIETARY AND CONFIDENTIAL <small>THE INFORMATION CONTAINED IN THIS DRAWING IS THE SOLE PROPERTY OF FORMS + SURFACES. ANY REPRODUCTION IN PART OR AS A WHOLE WITHOUT WRITTEN PERMISSION IS PROHIBITED.</small>	

30 Pine Street, Pittsburgh, PA 15223 Tel (412) 781-9003 Fax (412) 781-7840			
DESCRIPTION: FORMS+SURFACES M30-P1 SHALLOW SECURITY CORE STRIP FOUNDATION, WITH PAVER			
SIZE	DWG. NO.	REV	SHEET
B	M30-SH-STR-PV-INSTALL	0	2 OF 4

D
C
B
A



SECTION B-B

NOTES:

1. FOOTINGS HAVE BEEN DESIGNED TO BEAR ON UNDISTURBED SOIL OR PROPERLY COMPACTED ENGINEERED FILL ASSUMING A NET BEARING CAPACITY OF 2000 PSF.
2. REINFORCED CONCRETE WORK SHALL BE DONE IN ACCORDANCE WITH THE "BUILDING CODE REQUIREMENTS FOR REINFORCED CONCRETE" (ACI 318) AND THE SPECIFICATIONS FOR STRUCTURAL CONCRETE (ACI 301) OF THE AMERICAN CONCRETE INSTITUTE (EDITIONS AS REQUIRED BY GOVERNING CODE).
3. CAST-IN-PLACE CONCRETE SHALL BE NORMAL WEIGHT CONCRETE WITH A MINIMUM 28-DAY COMPRESSIVE STRENGTH (F'c) OF 5000 PSI UNO.
4. PROVIDE 6% (+/-1.5%) AIR ENTRAINMENT IN CONCRETE EXPOSED TO FREEZE/THAW.
5. DEFORMED BAR REINFORCEMENT SHALL BE ASTM A615, GRADE 60; SEE CHART FOR SIZING.
6. REINFORCEMENT SHALL BE SECURELY HELD IN PLACE WHILE PLACING CONCRETE. IF REQUIRED, ADDITIONAL BARS, STIRRUPS, OR CHAIRS SHALL BE PROVIDED TO FURNISH SUPPORT FOR SPECIFIED BARS.

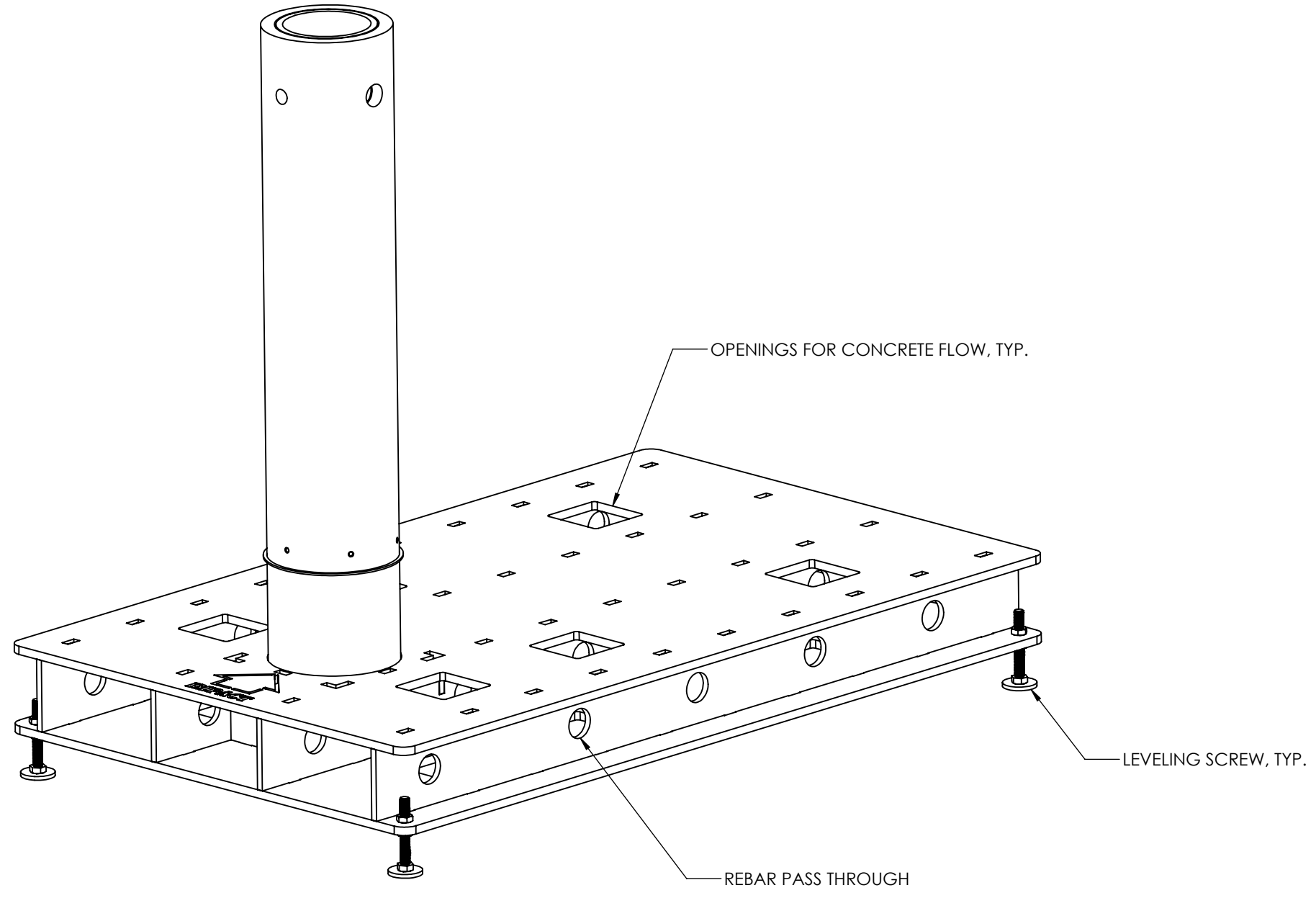
REBAR CHART	
BAR SIZE	DIAMETER
#6	Ø 0.750

<p>UNLESS OTHERWISE SPECIFIED: 1. PRIMARY DIM. ARE IN INCHES & SECONDARY [DIM] IN MM 2. TOLERANCES FRACTIONAL: ±1/32; ANGULAR/BEND: ±1° TWO PLACE DECIMAL ±.030 THREE PLACE DECIMAL ±.020 3. REMOVE ALL BURRS AND SHARP EDGES</p>		<p>FORMS+SURFACES 30 Pine Street, Pittsburgh, PA 15223 Tel (412) 781-9003 Fax (412) 781-7840</p>	
<p>THIRD ANGLE PROJECTION</p>	<p>NAME: DWN DATE: JRF 07/07/2022</p>	<p>DESCRIPTION: FORMS+SURFACES M30-P1 SHALLOW SECURITY CORE STRIP FOUNDATION, WITH PAVER</p>	
<p>MATERIAL: N/A</p>	<p>CHK: _____</p>	<p>DO NOT SCALE DRAWING</p>	
<p>FINISH: N/A</p>	<p>PROPRIETARY AND CONFIDENTIAL THE INFORMATION CONTAINED IN THIS DRAWING IS THE SOLE PROPERTY OF FORMS + SURFACES. ANY REPRODUCTION IN PART OR AS A WHOLE WITHOUT WRITTEN PERMISSION IS PROHIBITED.</p>		
<p>WEIGHT: N/A</p>	<p>SIZE: B</p>	<p>DWG. NO.: M30-SH-STR-PV-INSTALL</p>	<p>REV: 0</p>
<p>SCALE: NOT TO SCALE</p>	<p>SHEET: 3 OF 4</p>		<p>SHEET: 3 OF 4</p>

8 7 6 5 4 3 2 1

D
C
B
A

D
C
B
A



**ISOMETRIC VIEW
SECURITY CORE WELDMENT**

UNLESS OTHERWISE SPECIFIED: 1. PRIMARY DIM. ARE IN INCHES & SECONDARY [DIM] IN MM 2. TOLERANCES FRACTIONAL: $\pm 1/32$; ANGULAR/BEND: $\pm 1^\circ$ TWO PLACE DECIMAL $\pm .030$ THREE PLACE DECIMAL $\pm .020$ 3. REMOVE ALL BURRS AND SHARP EDGES THIRD ANGLE PROJECTION				30 Pine Street, Pittsburgh, PA 15223 Tel (412) 781-9003 Fax (412) 781-7840	
MATERIAL: N/A FINISH: N/A WEIGHT: N/A SCALE: NOT TO SCALE		NAME DWN JRF	DATE 07/07/2022	DESCRIPTION: FORMS+SURFACES M30-P1 SHALLOW SECURITY CORE STRIP FOUNDATION, WITH PAVER	
PROPRIETARY AND CONFIDENTIAL THE INFORMATION CONTAINED IN THIS DRAWING IS THE SOLE PROPERTY OF FORMS + SURFACES. ANY REPRODUCTION IN PART OR AS A WHOLE WITHOUT WRITTEN PERMISSION IS PROHIBITED.		CHK CHK	DO NOT SCALE DRAWING		SIZE B
		DWG. NO. M30-SH-STR-PV-INSTALL	REV 0	SHEET 4 OF 4	

8 7 6 5 4 3 2 1