













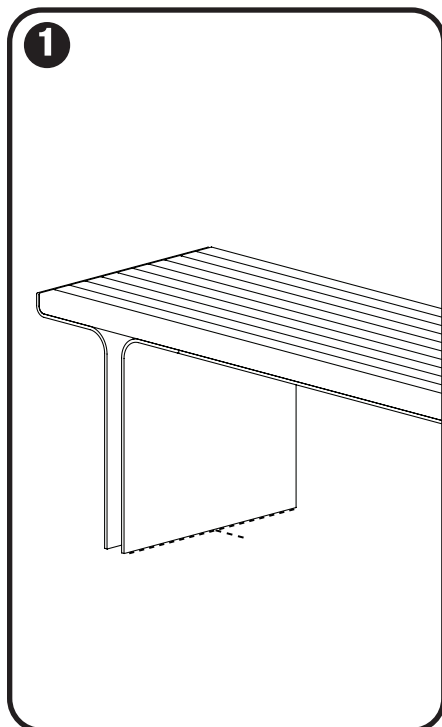


FLIGHT BENCH

INSTALLATION INSTRUCTIONS

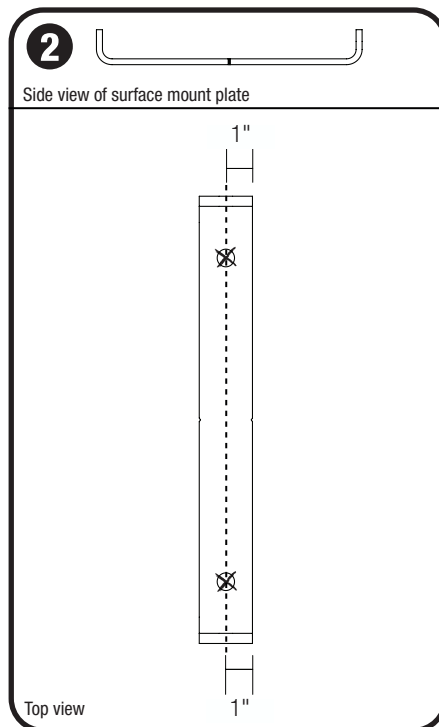
| MATERIALS INCLUDED | | | | TOOLS NEEDED | | | |
|---|---|---|---|---|--|---|---|
|  |  |  |  |  |  |  |  |
| 7/32" hex bit for tamper-resistant screws | | | | | tape measure | | steel wire brush |
|  |  |  |  |  | | |  |
| epoxy | | | | 1/4", 1/2" & 3/4" drill bits for concrete | | Loctite® | epoxy gun |

STEP BY STEP FOR ALL FLIGHT BENCHES (SBFLT-72NW SHOWN)



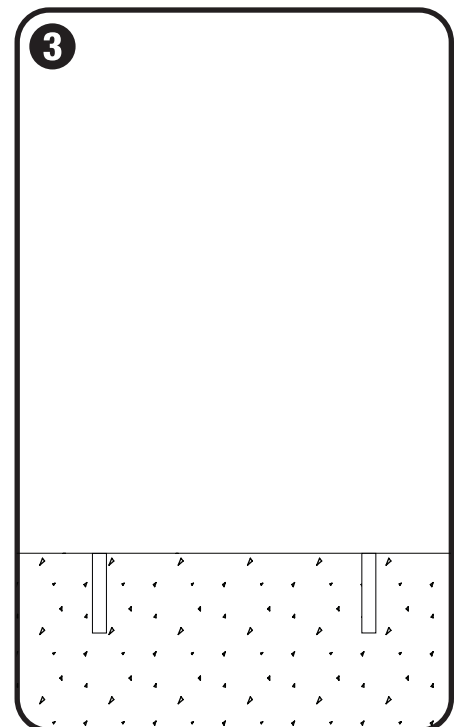
Mark surface mount location

- Once bench is in the desired location, mark the ground along the inside of each leg including the center, indicated by the dashed line.
- Carefully move bench to the side once mounting surface is marked



Position surface mount plate

- Measure and mark 1" from surface mount mark to find the surface mount plate center line, indicated by the dashed line.
- Position the surface mount plate by first aligning the center notch with the center line.
- Next, align the mounting holes and positioning notches to the surface mount plate center line.
- Mark the center of each mounting hole.

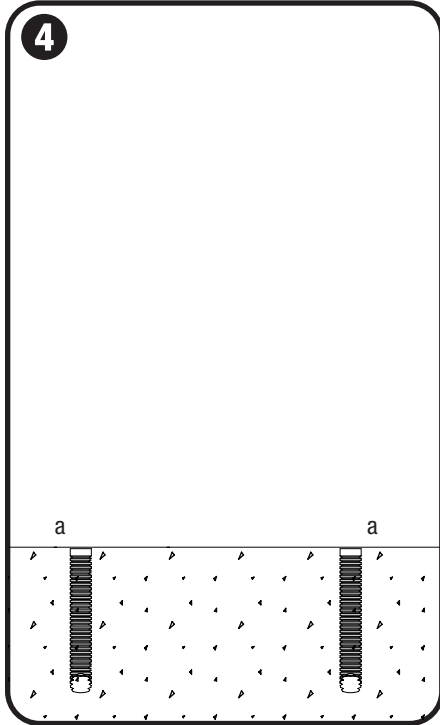


Drill holes

- Use hammer drill to drill 4.5" deep x 3/4" diameter anchor hole at each marked location using a 3/4" drill bit suitable for concrete drilling.
- Note: Forms+Surfaces recommends starting holes with 1/4" diameter drill bit followed by 1/2" and finally 3/4" for maximum accuracy.

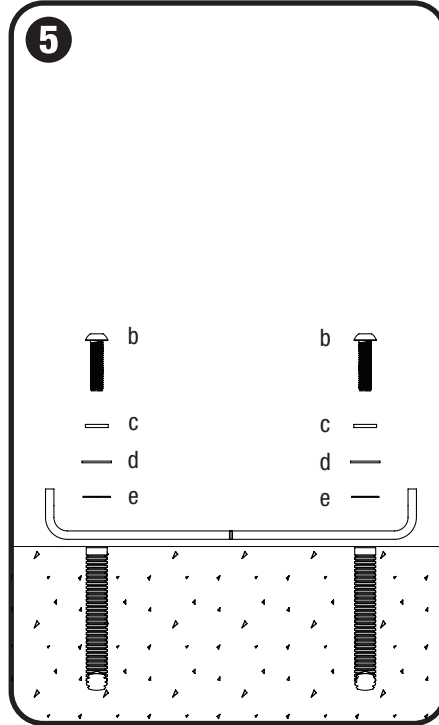
FLIGHT BENCH

STEP BY STEP FOR ALL FLIGHT BENCHES (SBFLT-72NW SHOWN)



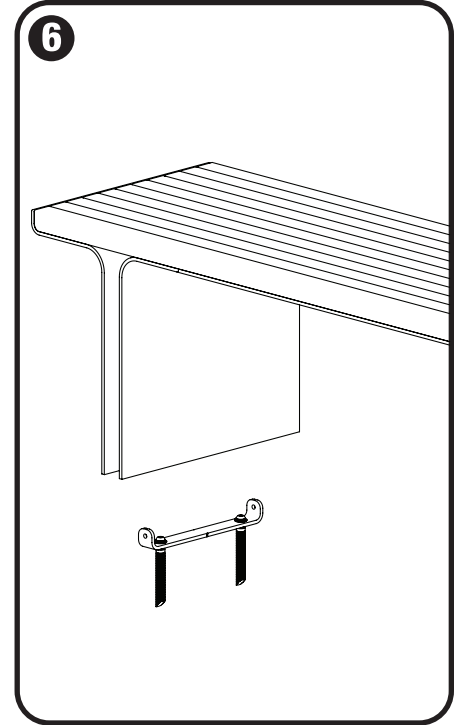
Fill holes & insert anchors

- Use compressed air and steel wire brush to clean each anchor hole in accordance with epoxy instructions.
- Use epoxy in epoxy gun to fill each anchor hole 5/8 of the hole depth in accordance with epoxy instructions
- Insert 3/8"-16 x 4-1/4" epoxy anchor (a) into each anchor hole so anchor top is flush with ground. Allow proper curing time according to cure schedule on epoxy instructions before moving on to Step 5.



Attach surface mount plate

- Position surface mount plate so that mounting holes line up with anchors.
- Insert 3/8"-16 x 1-1/2" tamper-resistant button cap screws (b), 3/8" lock washer (c), 3/8" flat washer (d) and 3/8" plastic washer (e) into mounting holes in surface mount plate using provided 7/32" hex bit for tamper resistant screws.



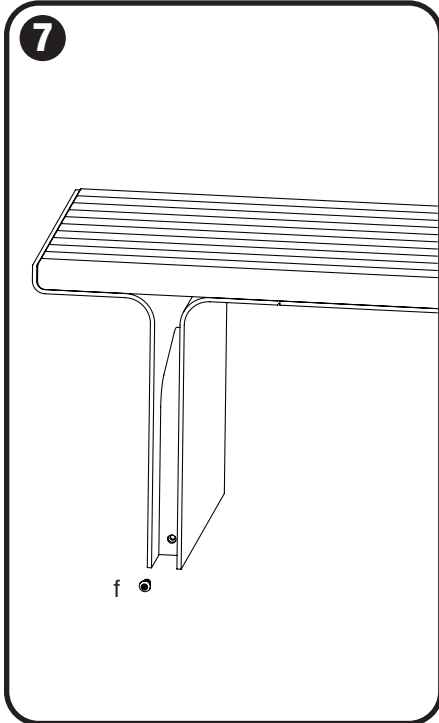
Fit bench onto surface mount plate

- Lift bench up and slide legs onto mounted surface mount plates.

FLIGHT BENCH

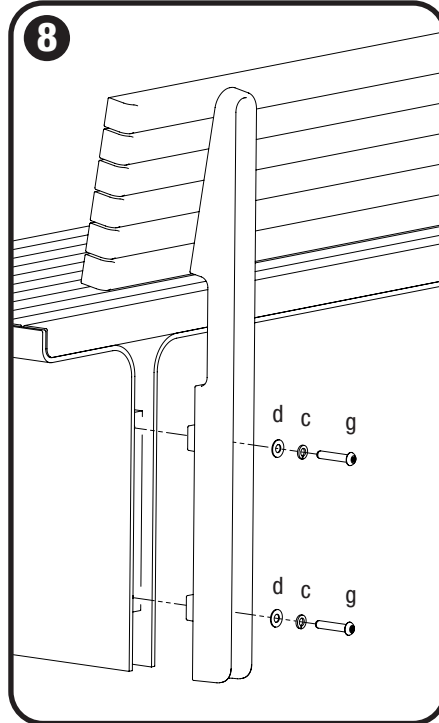
INSTALLATION INSTRUCTIONS

STEP BY STEP FOR ALL FLIGHT BENCHES (SBFLT-72NW SHOWN)



Attach legs to surface mount plates

- Ensure that leg mounting hole and surface mount plate mounting hole align.
- Insert 3/8"-16 x 1" tamper-resistant button head cap screw (f) into bench connection holes using provided 7/32" hex bit for tamper resistant screws.



Attach back (if included)

- Ensuring back assembly is properly supported for installation, position behind bench seat.
- Insert (4) 3/8"-16 x 2" button head screws (g) with 3/8" lock washers (c) and 3/8" flat washers (d) through back support into bench legs, using LOCTITE® 243™ thread locker or similar on fastener threads. Hand snug using ratchet and provided 7/32" hex bit for tamper resistant screws; do not overtighten.