

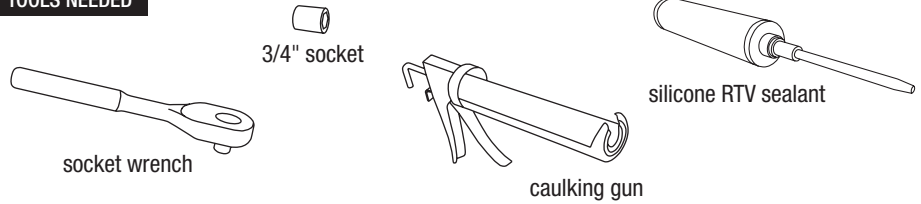
HELIO™ BOLLARD, SERIES 600

SECURITY BOLLARD WIRING & INSTALLATION INSTRUCTIONS

MATERIALS INCLUDED

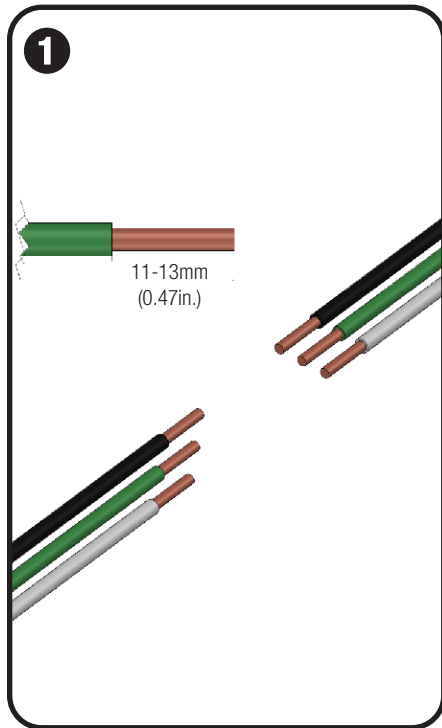


TOOLS NEEDED



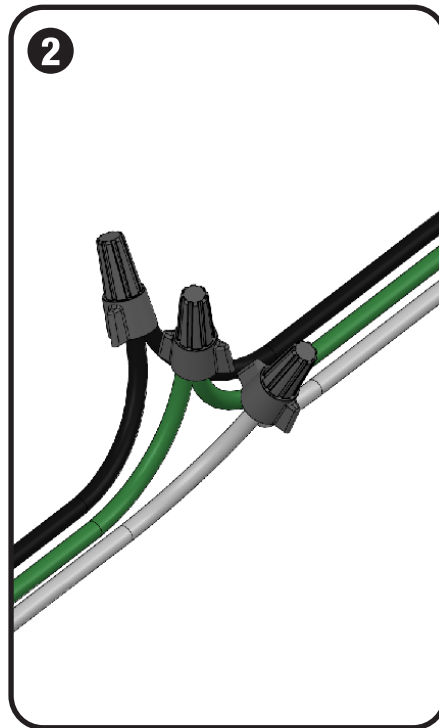
STEP BY STEP

WIRING INSTRUCTIONS FOR ALL ILLUMINATED HELIO BOLLARDS WITH EMBEDDED SECURITY CORES



Locate and prepare wires

- Before proceeding with wiring of luminary, check to ensure that all applicable site wiring and safety codes have been followed.
- Locate wires at base of light fixture.
- Ensure power supply is shut off and circuit being used is isolated.
- Prepare wiring from site junction box and bollard by stripping and removing 11-13mm (.47") of insulation.



Connect wires

- Insert ground (green), neutral (white), and positive (black) wires into provided wire nuts, being sure to match wire color codes from junction box to bollard.
- Tighten wire nuts until exposed wire ends are below bottom of wire nut.
- Inspect all wiring and connections before.

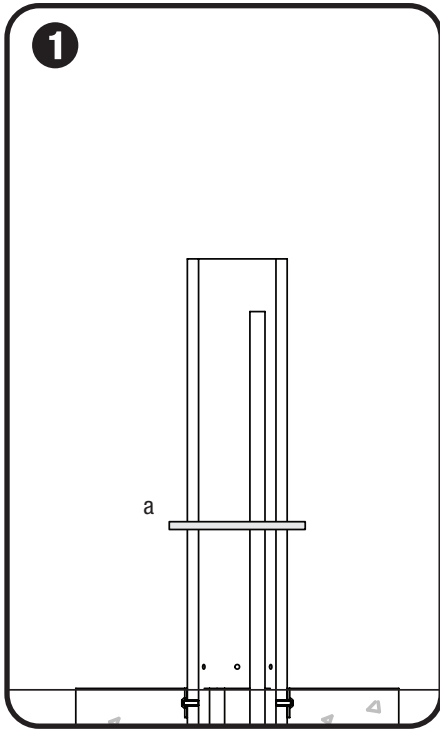
NOTES:

- Installation should be performed only by qualified individuals.
- Wire used should be 22-14 AWG copper conductors.
- Caution: Installation of a surge protector as part of each unit's wiring is recommended. Light fixture rated for 120-277 VAC power.

HELIO™ BOLLARD, SERIES 600

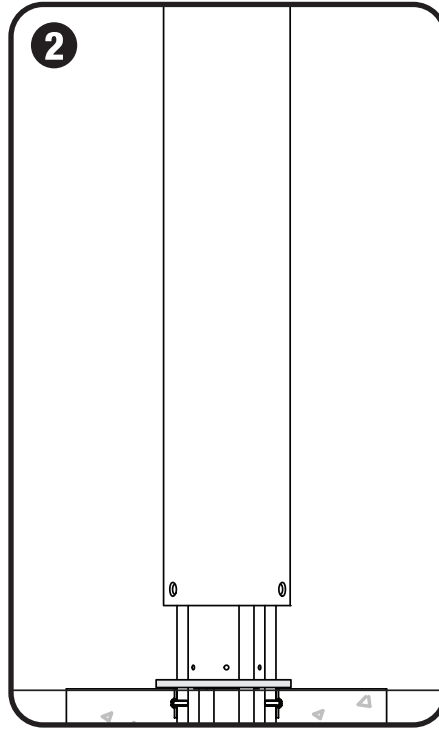
SECURITY BOLLARD WIRING & INSTALLATION INSTRUCTIONS

STEP BY STEP INSTALLATION INSTRUCTIONS FOR ALL HELIO BOLLARDS WITH EMBEDDED SECURITY CORES



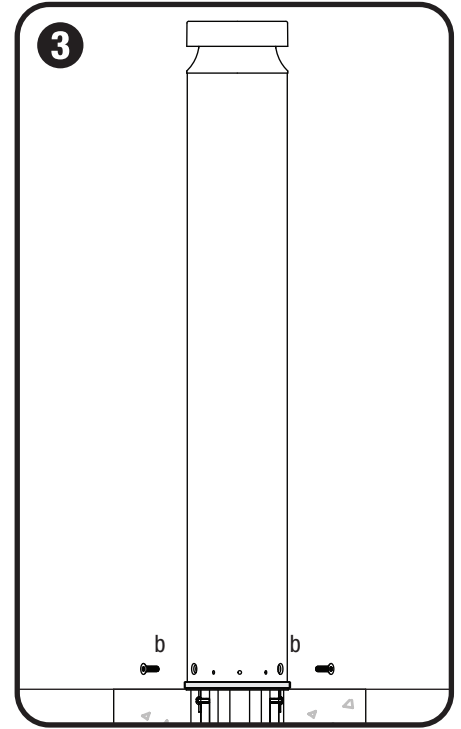
Install trim ring

- Apply a thin bead of waterproof clear silicone to the underside of the trim ring (a). Take care not to over apply.
- Slide the trim ring over the security core and drop down to the stop on the security core. Press down on trim ring to ensure it is fully seated on the stop.



Position bollard over security core

- Inspect security core for moisture. If moisture is present, dry entirely before installing fixture. Do not install fixture unless security core is completely dry.
- Slide bollard over security core so that mounting holes in bollard body align with tapped holes in security core.



Attach bollard to security core

- Thread 5/16"-18x1" tamper-resistant flat head bolts (b) into each hole.
- Use provided T40 Torx bit for tamper-resistant bolts to tighten all bolts until snug.

D

C

B

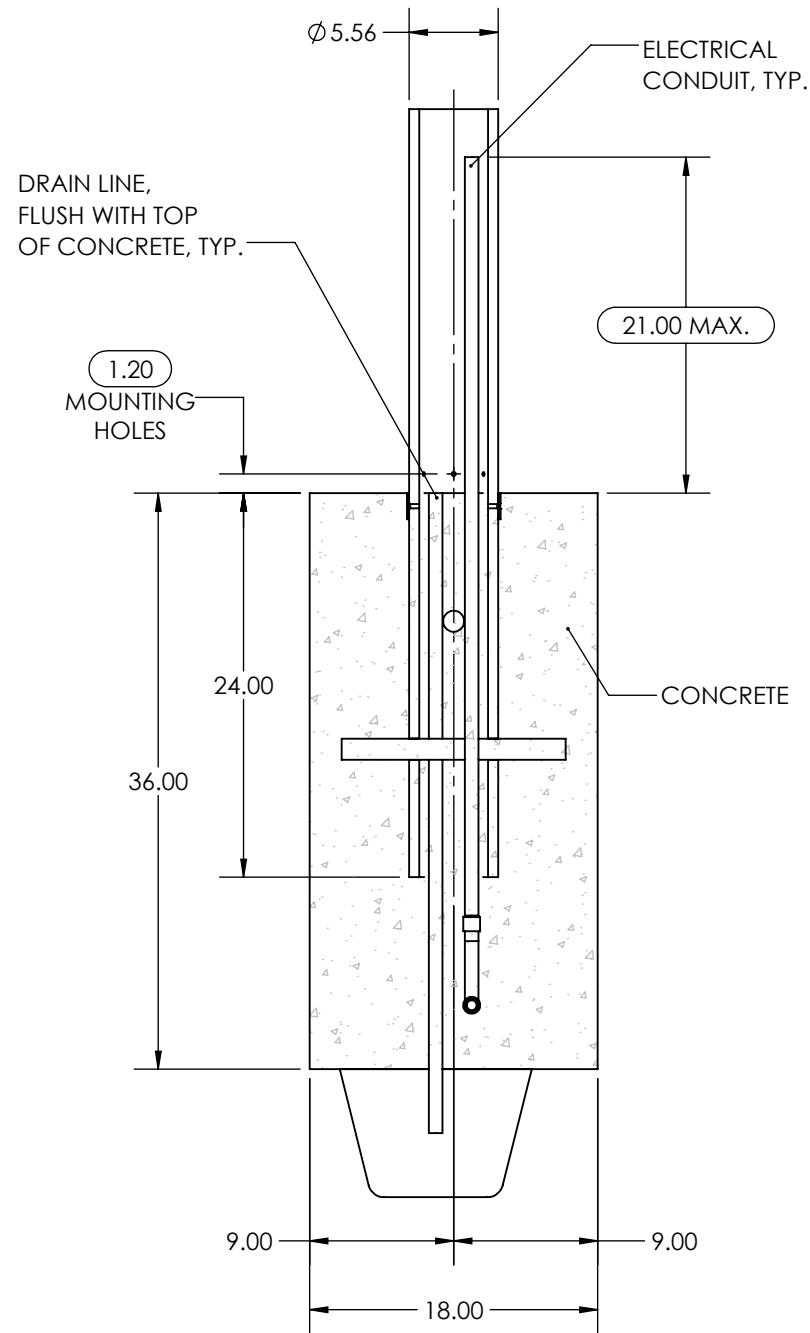
A

D

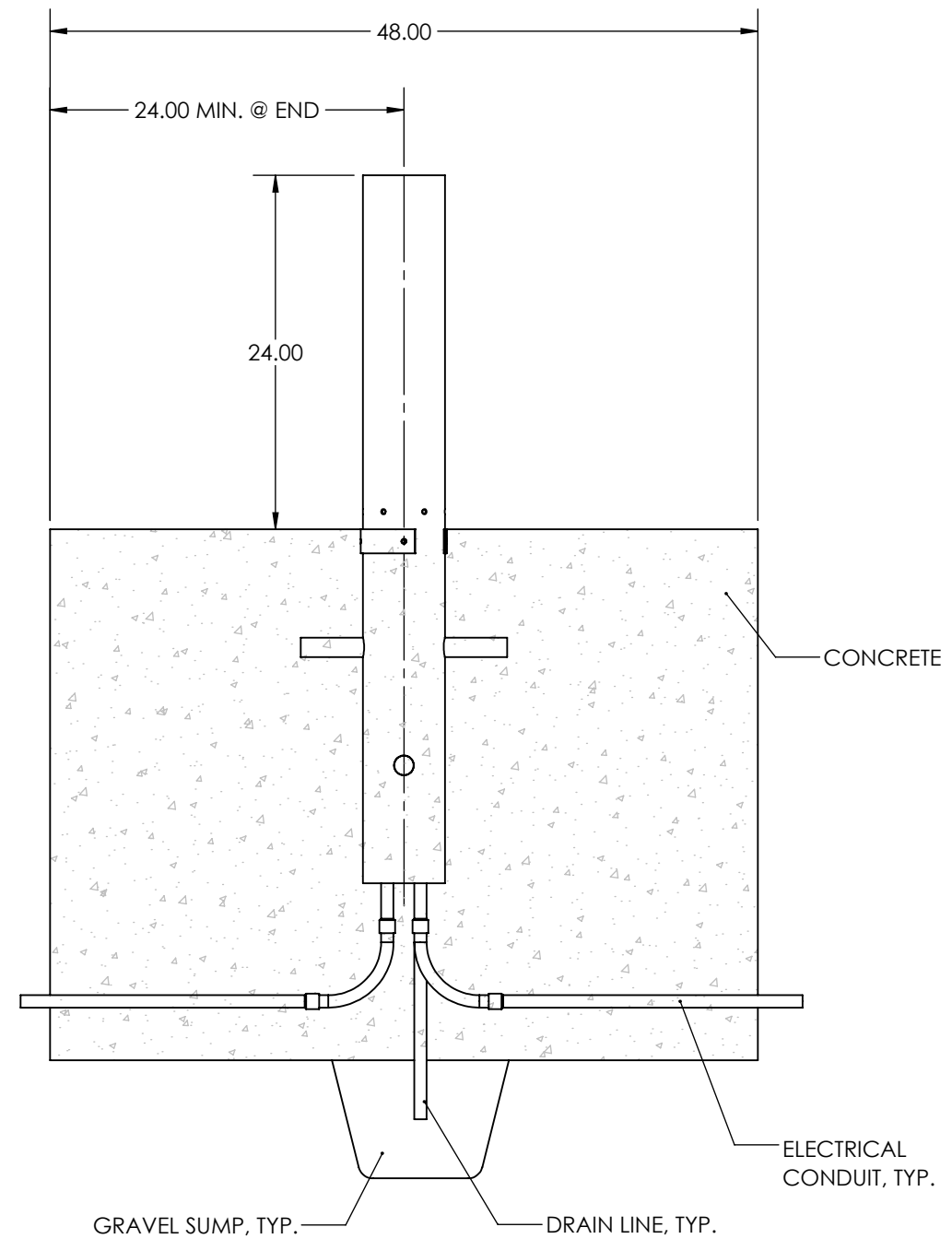
C

B

A



END VIEW (PARTIAL SECTION)



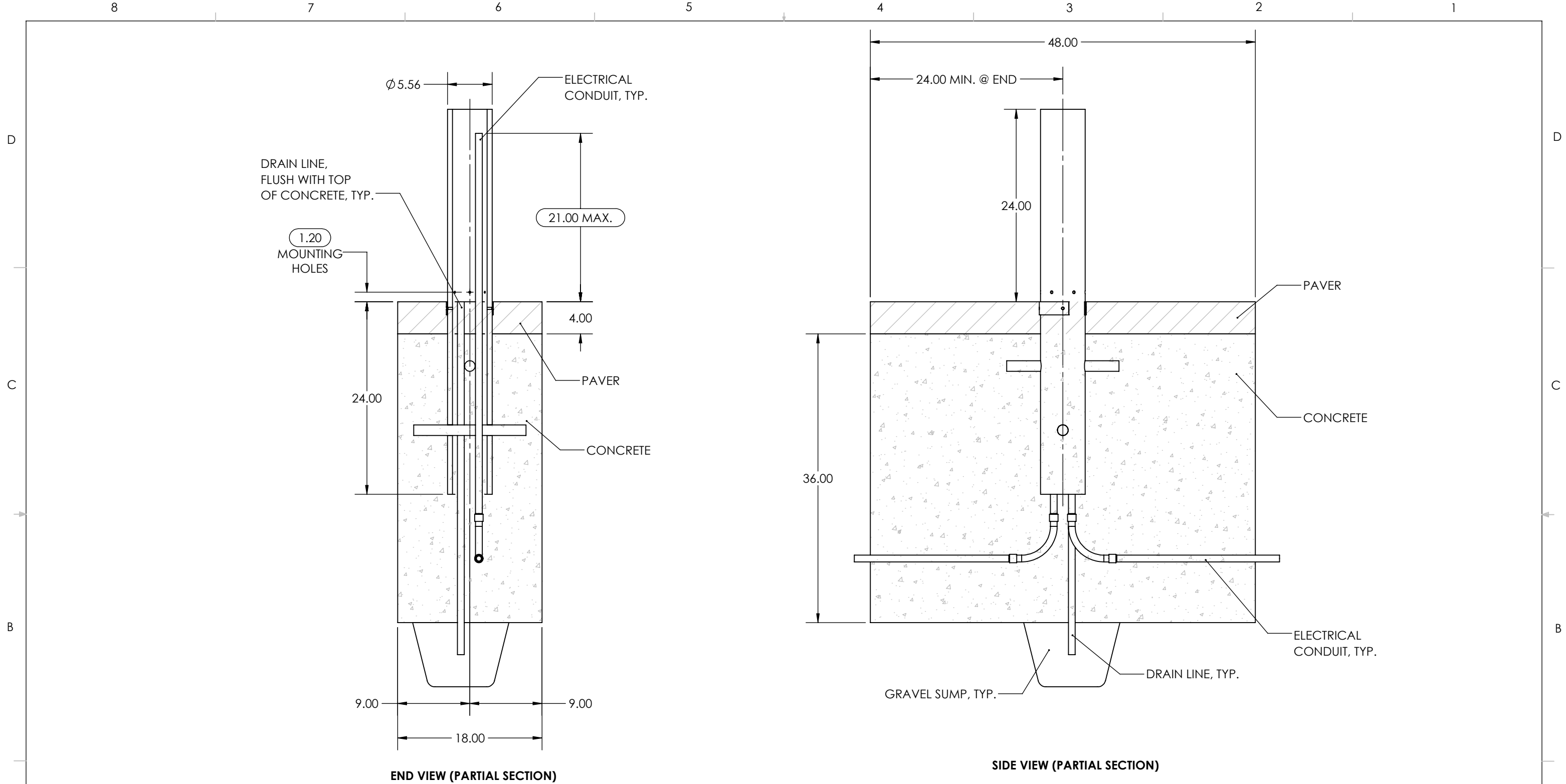
SIDE VIEW (PARTIAL SECTION)

NOTES:

- FOOTINGS HAVE BEEN DESIGNED TO BEAR ON UNDISTURBED SOIL OR PROPERLY COMPACTED ENGINEERED FILL ASSUMING A NET BEARING CAPACITY OF 3000 PSF.
- CONCRETE WORK SHALL BE DONE IN ACCORDANCE WITH THE "BUILDING CODE REQUIREMENTS FOR REINFORCED CONCRETE" (ACI 318) AND THE SPECIFICATIONS FOR STRUCTURAL CONCRETE (ACI 301) OF THE AMERICAN CONCRETE INSTITUTE (EDITIONS AS REQUIRED BY GOVERNING CODE).
- CAST-IN-PLACE CONCRETE SHALL BE NORMAL WEIGHT CONCRETE WITH A MINIMUM 28-DAY COMPRESSIVE STRENGTH (F'C) OF 5000 PSI UNO.
- PROVIDE 6% (+/-1.5%) AIR ENTRAINMENT IN CONCRETE EXPOSED TO FREEZE/THAW.

0	INITIAL RELEASE	-----	-----
REV.	DESCRIPTION	REVISED BY	DATE

<p>UNLESS OTHERWISE SPECIFIED: 1. PRIMARY DIM. ARE IN INCHES & SECONDARY [DIM] IN MM 2. TOLERANCES FRACTIONAL: ±1/32; ANGULAR/BEND: ±1° TWO PLACE DECIMAL ±.030 THREE PLACE DECIMAL ±.020 3. REMOVE ALL BURRS AND SHARP EDGES</p>		<p>FORMS+SURFACES 30 Pine Street, Pittsburgh, PA 15223 Tel (412) 781-9003 Fax (412) 781-7840</p>	
<p>THIRD ANGLE PROJECTION</p>		NAME	DATE
<p>MATERIAL: N/A</p>		DWN	YAF 5/23/2023
<p>FINISH: N/A</p>		CHK	
<p>WEIGHT: N/A</p>		<p>DO NOT SCALE DRAWING</p>	
<p>SCALE: NOT TO SCALE</p>		<p>PROPRIETARY AND CONFIDENTIAL THE INFORMATION CONTAINED IN THIS DRAWING IS THE SOLE PROPERTY OF FORMS + SURFACES. ANY REPRODUCTION IN PART OR AS A WHOLE WITHOUT WRITTEN PERMISSION IS PROHIBITED.</p>	
<p>DESCRIPTION:</p> <p>FORMS+SURFACES S10-P1 SECURITY CORE, HELIO 600 INDIVIDUAL FOUNDATION, NO PAVER</p>		SIZE	DWG. NO.
		B	S10-DP-IND-NP-LBHLO-INSTALL
		REV	0
		SHEET	1 OF 1



NOTES:

1. FOOTINGS HAVE BEEN DESIGNED TO BEAR ON UNDISTURBED SOIL OR PROPERLY COMPACTED ENGINEERED FILL ASSUMING A NET BEARING CAPACITY OF 3000 PSF.
2. CONCRETE WORK SHALL BE DONE IN ACCORDANCE WITH THE "BUILDING CODE REQUIREMENTS FOR REINFORCED CONCRETE" (ACI 318) AND THE SPECIFICATIONS FOR STRUCTURAL CONCRETE (ACI 301) OF THE AMERICAN CONCRETE INSTITUTE (EDITIONS AS REQUIRED BY GOVERNING CODE).
3. CAST-IN-PLACE CONCRETE SHALL BE NORMAL WEIGHT CONCRETE WITH A MINIMUM 28-DAY COMPRESSIVE STRENGTH (F'C) OF 5000 PSI UNO.
4. PROVIDE 6% (+/-1.5%) AIR ENTRAINMENT IN CONCRETE EXPOSED TO FREEZE/THAW.

0	INITIAL RELEASE	-----	-----
REV.	DESCRIPTION	REVISED BY	DATE

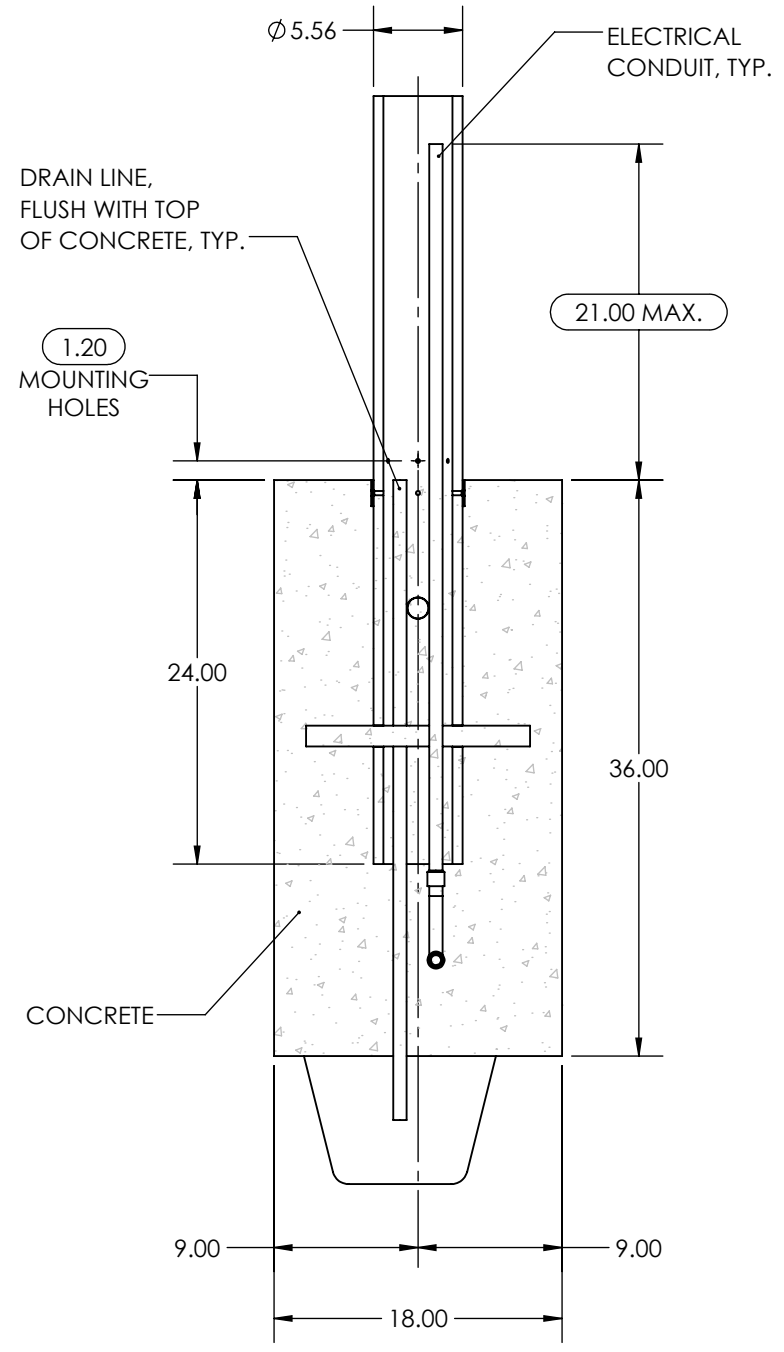
UNLESS OTHERWISE SPECIFIED:
 1. PRIMARY DIM. ARE IN INCHES & SECONDARY [DIM] IN MM
 2. TOLERANCES
 FRACTIONAL: ±1/32; ANGULAR/BEND: ±1°
 TWO PLACE DECIMAL ±.030
 THREE PLACE DECIMAL ±.020
 3. REMOVE ALL BURRS AND SHARP EDGES
 THIRD ANGLE PROJECTION
 MATERIAL: N/A
 FINISH: N/A
 WEIGHT: N/A
 SCALE: NOT TO SCALE

		30 Pine Street, Pittsburgh, PA 15223 Tel (412) 781-9003 Fax (412) 781-7840	
		NAME	DATE
DWN	YAF	5/23/2023	DESCRIPTION: FORMS+SURFACES S10-P1 SECURITY CORE, HELIO 600 INDIVIDUAL FOUNDATION, WITH PAVER
CHK			
DO NOT SCALE DRAWING			
PROPRIETARY AND CONFIDENTIAL THE INFORMATION CONTAINED IN THIS DRAWING IS THE SOLE PROPERTY OF FORMS + SURFACES. ANY REPRODUCTION IN PART OR AS A WHOLE WITHOUT WRITTEN PERMISSION IS PROHIBITED.		SIZE	DWG. NO.
		B	S10-DP-IND-PV-LBHLO-INSTALL
		REV	SHEET
		0	1 OF 1

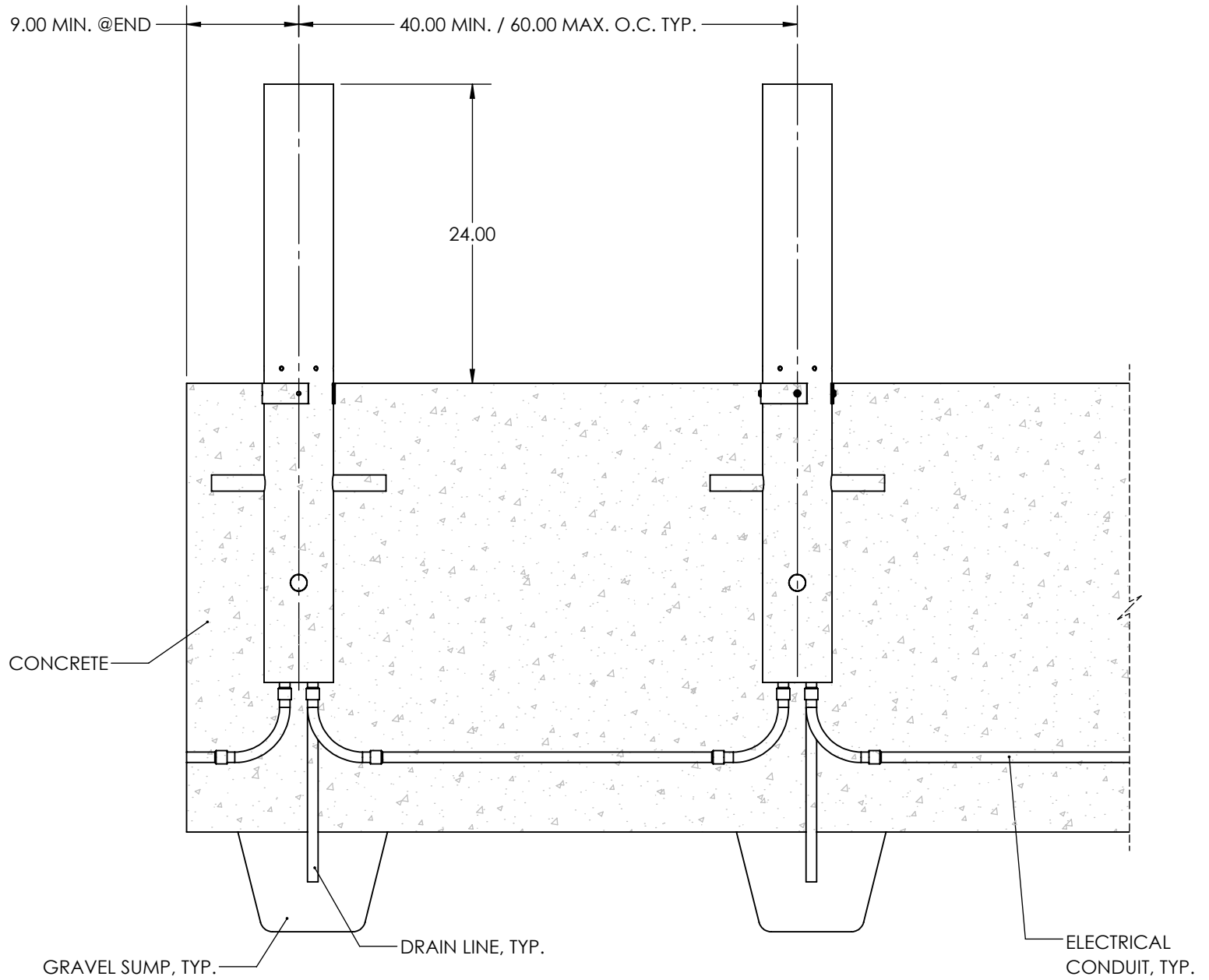
8 7 6 5 4 3 2 1

D
C
B
A

D
C
B
A



END VIEW (PARTIAL SECTION)



SIDE VIEW (PARTIAL SECTION)

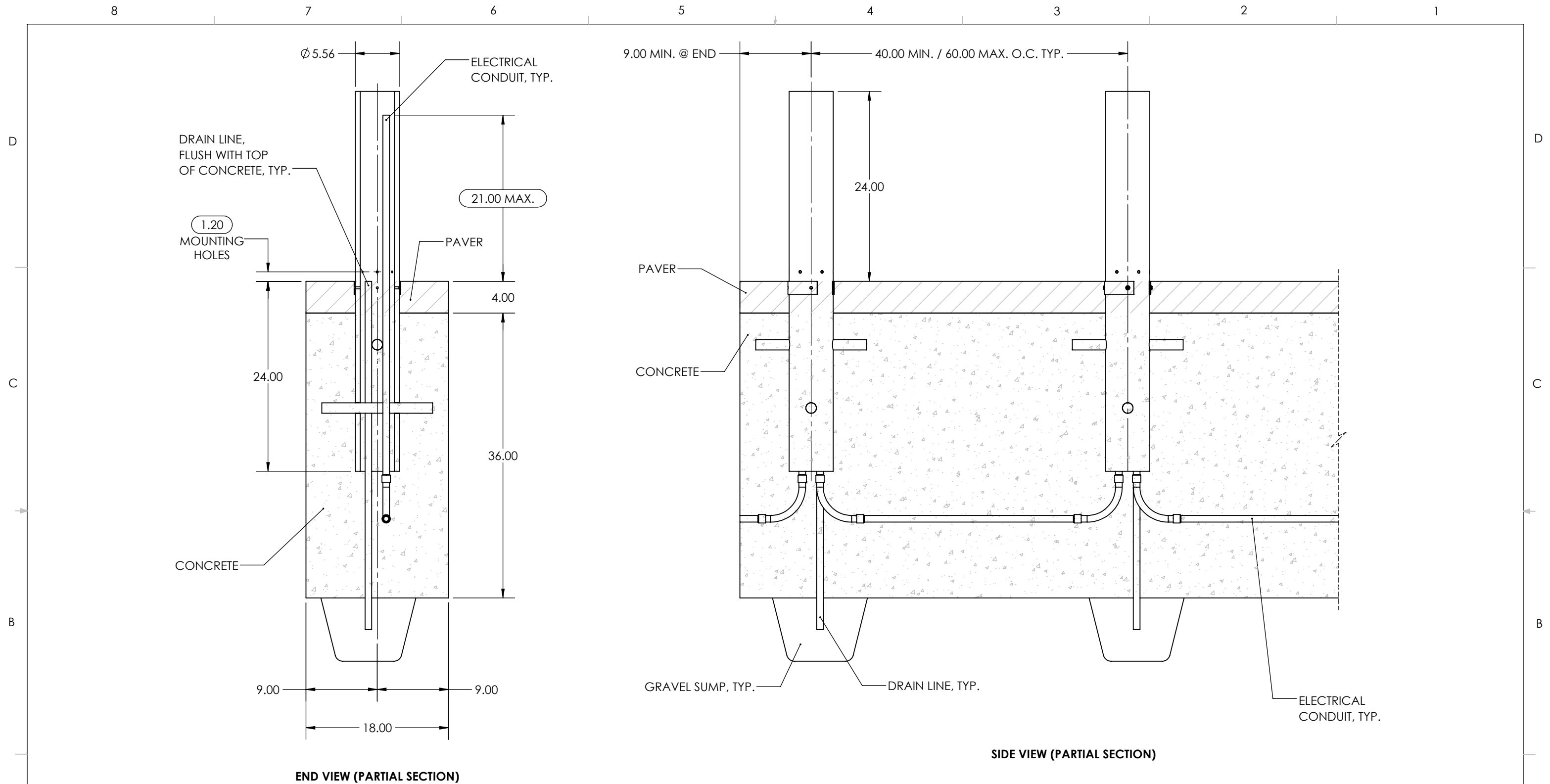
NOTES:

1. FOOTINGS HAVE BEEN DESIGNED TO BEAR ON UNDISTURBED SOIL OR PROPERLY COMPACTED ENGINEERED FILL ASSUMING A NET BEARING CAPACITY OF 3000 PSF.
2. CONCRETE WORK SHALL BE DONE IN ACCORDANCE WITH THE "BUILDING CODE REQUIREMENTS FOR REINFORCED CONCRETE" (ACI 318) AND THE SPECIFICATIONS FOR STRUCTURAL CONCRETE (ACI 301) OF THE AMERICAN CONCRETE INSTITUTE (EDITIONS AS REQUIRED BY GOVERNING CODE).
3. CAST-IN-PLACE CONCRETE SHALL BE NORMAL WEIGHT CONCRETE WITH A MINIMUM 28-DAY COMPRESSIVE STRENGTH (F'c) OF 5000 PSI UNO.
4. PROVIDE 6% (+/-1.5%) AIR ENTRAINMENT IN CONCRETE EXPOSED TO FREEZE/THAW.

<p>UNLESS OTHERWISE SPECIFIED: 1. PRIMARY DIM. ARE IN INCHES & SECONDARY [DIM] IN MM 2. TOLERANCES FRACTIONAL: ±1/32; ANGULAR/BEND: ±1° TWO PLACE DECIMAL ±.030 THREE PLACE DECIMAL ±.020 3. REMOVE ALL BURRS AND SHARP EDGES</p>		<p>FORMS+SURFACES 30 Pine Street, Pittsburgh, PA 15223 Tel (412) 781-9003 Fax (412) 781-7840</p>	
<p>MATERIAL: N/A</p>		<p>NAME: DWN YAF</p>	<p>DATE: 05/25/2023</p>
<p>FINISH: N/A</p>		<p>DESCRIPTION: FORMS+SURFACES S10-P1 SECURITY CORE, HELIO 600 STRIP FOUNDATION, NO PAVER</p>	
<p>WEIGHT: N/A</p>		<p>DO NOT SCALE DRAWING</p>	
<p>SCALE: NOT TO SCALE</p>		<p>SIZE: B</p>	<p>DWG. NO.: S10-DP-STR-NP-LBHLO-INSTALL</p>
<p>REV. 0</p>		<p>REV: 0</p>	<p>SHEET: 1 OF 1</p>

REV.	DESCRIPTION	REVISED BY	DATE
0	INITIAL RELEASE	-----	-----

8 7 6 5 4 3 2 1

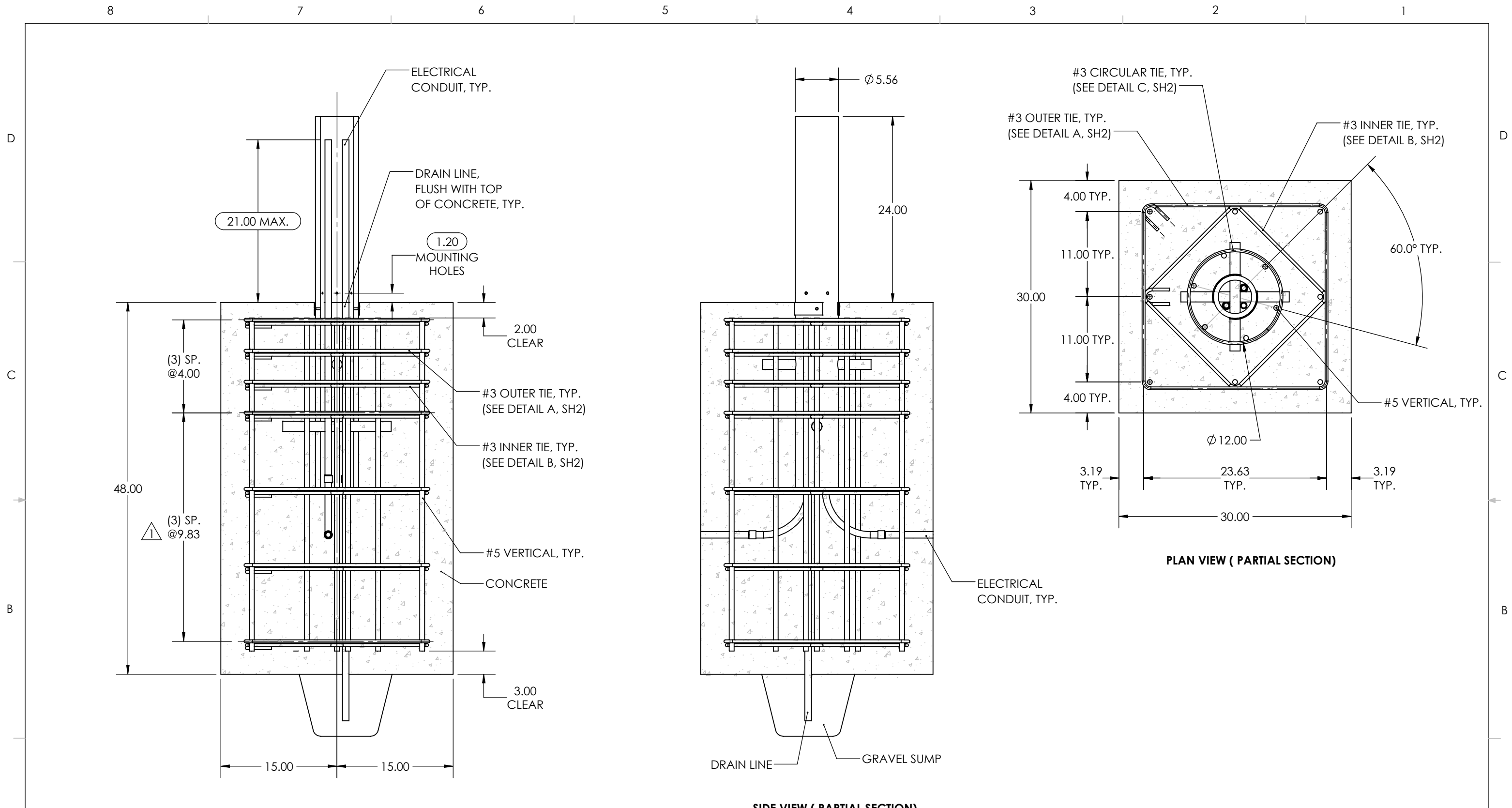


NOTES:

1. FOOTINGS HAVE BEEN DESIGNED TO BEAR ON UNDISTURBED SOIL OR PROPERLY COMPACTED ENGINEERED FILL ASSUMING A NET BEARING CAPACITY OF 3000 PSF.
2. CONCRETE WORK SHALL BE DONE IN ACCORDANCE WITH THE "BUILDING CODE REQUIREMENTS FOR REINFORCED CONCRETE" (ACI 318) AND THE SPECIFICATIONS FOR STRUCTURAL CONCRETE (ACI 301) OF THE AMERICAN CONCRETE INSTITUTE (EDITIONS AS REQUIRED BY GOVERNING CODE).
3. CAST-IN-PLACE CONCRETE SHALL BE NORMAL WEIGHT CONCRETE WITH A MINIMUM 28-DAY COMPRESSIVE STRENGTH (F'c) OF 5000 PSI UNO.
4. PROVIDE 6% (+/-1.5%) AIR ENTRAINMENT IN CONCRETE EXPOSED TO FREEZE/THAW.

<p>UNLESS OTHERWISE SPECIFIED: 1. PRIMARY DIM. ARE IN INCHES & SECONDARY [DIM] IN MM 2. TOLERANCES FRACTIONAL: ±1/32; ANGULAR/BEND: ±1° TWO PLACE DECIMAL ±.030 THREE PLACE DECIMAL ±.020 3. REMOVE ALL BURRS AND SHARP EDGES</p>		<p>FORMS+SURFACES 30 Pine Street, Pittsburgh, PA 15223 Tel (412) 781-9003 Fax (412) 781-7840</p>	
<p>THIRD ANGLE PROJECTION</p>		<p>NAME: DWN DATE: 05/25/2023</p>	<p>DESCRIPTION: FORMS+SURFACES S10-P1 SECURITY CORE, HELIO 600 STRIP FOUNDATION WITH PAVER</p>
<p>MATERIAL: N/A</p>		<p>DO NOT SCALE DRAWING</p>	
<p>FINISH: N/A</p>		<p>PROPRIETARY AND CONFIDENTIAL THE INFORMATION CONTAINED IN THIS DRAWING IS THE SOLE PROPERTY OF FORMS+SURFACES. ANY REPRODUCTION IN PART OR AS A WHOLE WITHOUT WRITTEN PERMISSION IS PROHIBITED.</p>	
<p>WEIGHT: N/A</p>		<p>SIZE: B</p>	<p>DWG. NO.: S10-DP-STR-PV-LBHLO-INSTALL</p>
<p>SCALE: NOT TO SCALE</p>		<p>REV: 0</p>	<p>SHEET: 1 OF 1</p>

REV.	DESCRIPTION	REVISED BY	DATE
0	INITIAL RELEASE	-----	-----



END VIEW (PARTIAL SECTION)

SIDE VIEW (PARTIAL SECTION)

PLAN VIEW (PARTIAL SECTION)

UNLESS OTHERWISE SPECIFIED:
 1. PRIMARY DIM. ARE IN INCHES & SECONDARY [DIM] IN MM
 2. TOLERANCES
 FRACTIONAL: ±1/32; ANGULAR/BEND: ±1°
 TWO PLACE DECIMAL ±.030
 THREE PLACE DECIMAL ±.020
 3. REMOVE ALL BURRS AND SHARP EDGES

FORMS+SURFACES 30 Pine Street, Pittsburgh, PA 15223
 Tel (412) 781-9003 Fax (412) 781-7840

NAME	DATE	DESCRIPTION: FORMS+SURFACES SC30-P1 SECURITY CORE, HELIO 600 INDIVIDUAL FOUNDATION, NO PAVER
DWN	RTS 10/15/21	
CHK		

MATERIAL: N/A DO NOT SCALE DRAWING

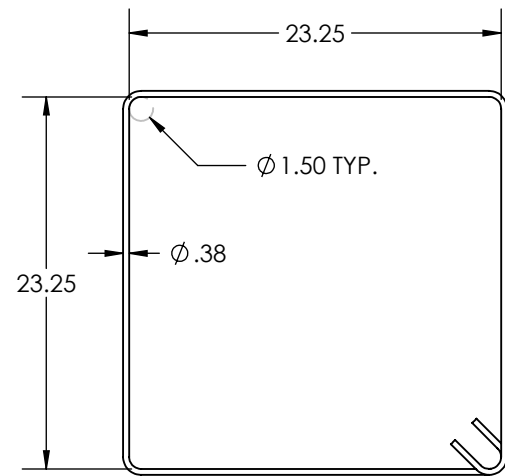
FINISH: N/A PROPRIETARY AND CONFIDENTIAL

WEIGHT: N/A THE INFORMATION CONTAINED IN THIS DRAWING IS THE SOLE PROPERTY OF FORMS + SURFACES. ANY REPRODUCTION IN PART OR AS A WHOLE WITHOUT WRITTEN PERMISSION IS PROHIBITED.

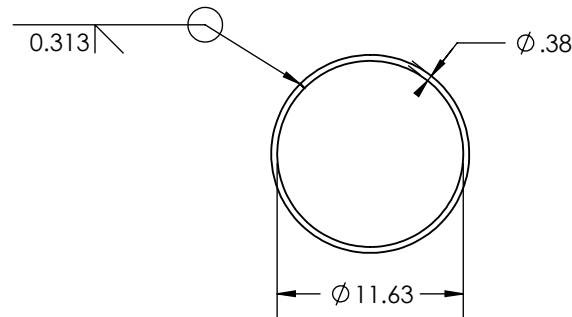
SCALE: NOT TO SCALE

SIZE	DWG. NO.	REV	SHEET
B	SC30-DP-IND-NP-LBHLO-INSTALL	1	1 OF 2

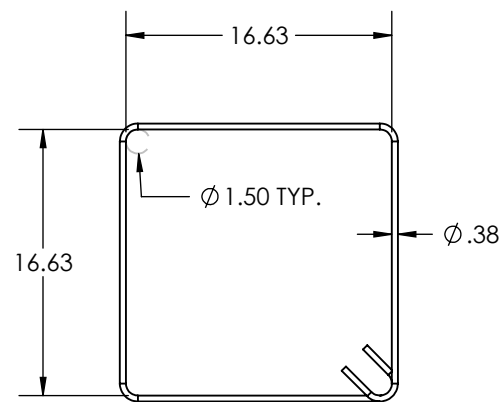
1	BOTTOM REBAR SPACING WAS 9.75"	YAF	05/31/2023
REV.	DESCRIPTION	REVISED BY	DATE



DETAIL A
#3 OUTER TIE, TYP.



DETAIL C
#3 CIRCULAR TIE, TYP.



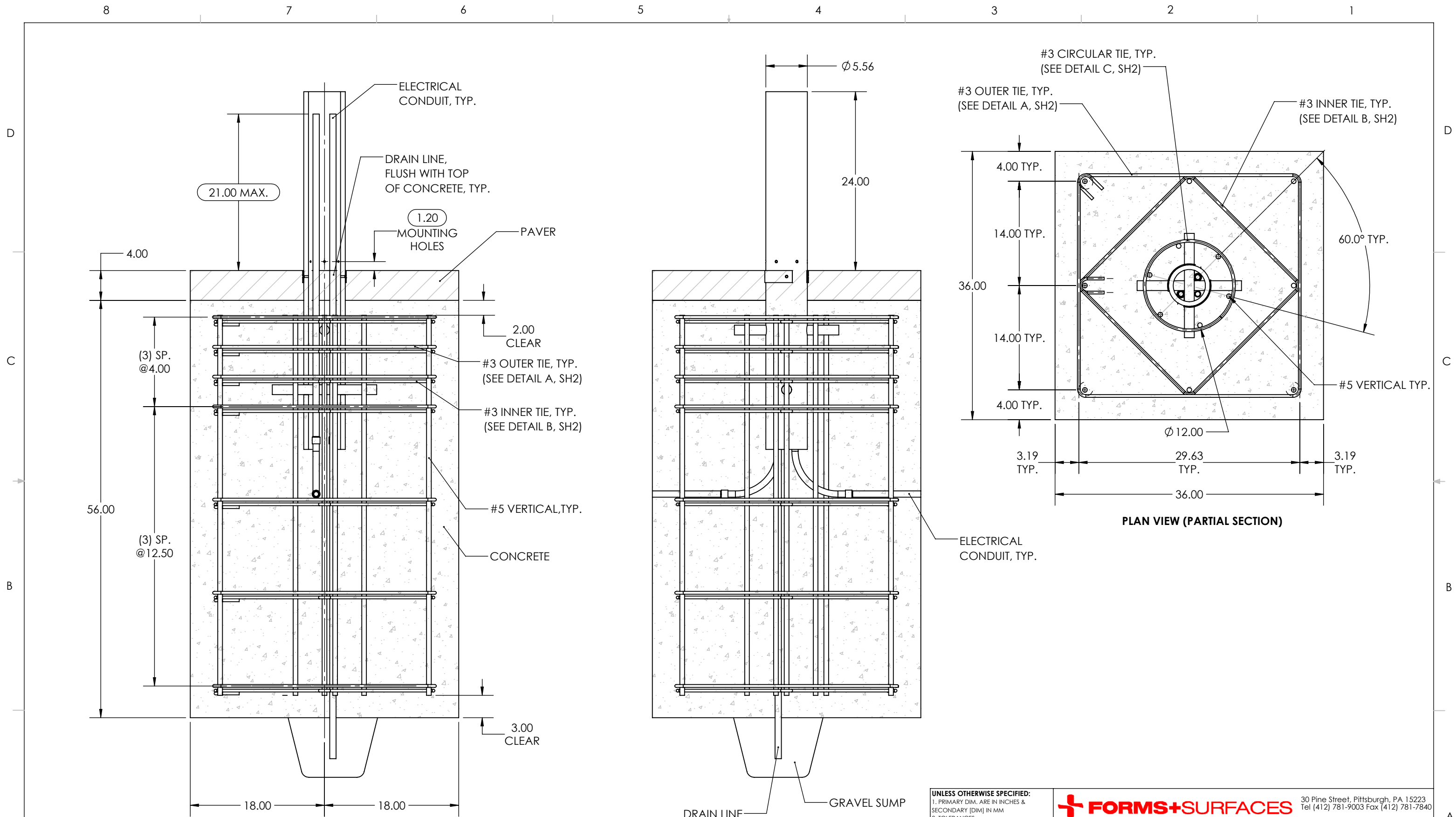
DETAIL B
#3 INNER TIE, TYP.

REBAR CHART	
BAR SIZE	DIAMETER
#3	Ø 0.375
#5	Ø 0.625

NOTES:

- FOOTINGS HAVE BEEN DESIGNED TO BEAR ON UNDISTURBED SOIL OR PROPERLY COMPACTED ENGINEERED FILL ASSUMING A NET BEARING CAPACITY OF 2000 PSF.
- REINFORCED CONCRETE WORK SHALL BE DONE IN ACCORDANCE WITH THE "BUILDING CODE REQUIREMENTS FOR REINFORCED CONCRETE" (ACI 318) AND THE SPECIFICATIONS FOR STRUCTURAL CONCRETE (ACI 301) OF THE AMERICAN CONCRETE INSTITUTE (EDITIONS AS REQUIRED BY GOVERNING CODE).
- CAST-IN-PLACE CONCRETE SHALL BE NORMAL WEIGHT CONCRETE WITH A MINIMUM 28-DAY COMPRESSIVE STRENGTH (F'C) OF 5000 PSI UNO.
- PROVIDE 6% (+/-1.5%) AIR ENTRAINMENT IN CONCRETE EXPOSED TO FREEZE/THAW.
- DEFORMED BAR REINFORCEMENT SHALL BE ASTM A615, GRADE 60; SEE CHART FOR SIZING.
- REINFORCEMENT SHALL BE SECURELY HELD IN PLACE WHILE PLACING CONCRETE. IF REQUIRED, ADDITIONAL BARS, STIRRUPS, OR CHAIRS SHALL BE PROVIDED TO FURNISH SUPPORT FOR SPECIFIED BARS.

UNLESS OTHERWISE SPECIFIED: 1. PRIMARY DIM. ARE IN INCHES & SECONDARY [DIM] IN MM 2. TOLERANCES FRACTIONAL: ±1/32; ANGULAR/BEND: ±1° TWO PLACE DECIMAL ±.030 THREE PLACE DECIMAL ±.020 3. REMOVE ALL BURRS AND SHARP EDGES		30 Pine Street, Pittsburgh, PA 15223 Tel (412) 781-9003 Fax (412) 781-7840	
MATERIAL: N/A FINISH: N/A WEIGHT: N/A SCALE: NOT TO SCALE	NAME: DWN DATE: 10/15/21 CHECKED: CHK DO NOT SCALE DRAWING PROPRIETARY AND CONFIDENTIAL THE INFORMATION CONTAINED IN THIS DRAWING IS THE SOLE PROPERTY OF FORMS + SURFACES. ANY REPRODUCTION IN PART OR AS A WHOLE WITHOUT WRITTEN PERMISSION IS PROHIBITED.	DESCRIPTION: FORMS+SURFACES SC30-P1 SECURITY CORE, HELIO 600 INDIVIDUAL FOUNDATION, NO PAVER	
SIZE: B	DWG. NO.: SC30-DP-IND-NP-LBHLO-INSTALL	REV: 1	SHEET: 2 OF 2



END VIEW (PARTIAL SECTION)

SIDE VIEW (PARTIAL SECTION)

PLAN VIEW (PARTIAL SECTION)

UNLESS OTHERWISE SPECIFIED:

- 1. PRIMARY DIM. ARE IN INCHES & SECONDARY [DIM] IN MM
- 2. TOLERANCES
 FRACTIONAL: ±1/32; ANGULAR/BEND: ±1°
 TWO PLACE DECIMAL ±.030
 THREE PLACE DECIMAL ±.020
- 3. REMOVE ALL BURRS AND SHARP EDGES

THIRD ANGLE PROJECTION

MATERIAL: N/A

FINISH: N/A

WEIGHT: N/A

SCALE: NOT TO SCALE



30 Pine Street, Pittsburgh, PA 15223
Tel (412) 781-9003 Fax (412) 781-7840

NAME	DATE
DWN YAF	06/28/2023
CHK	

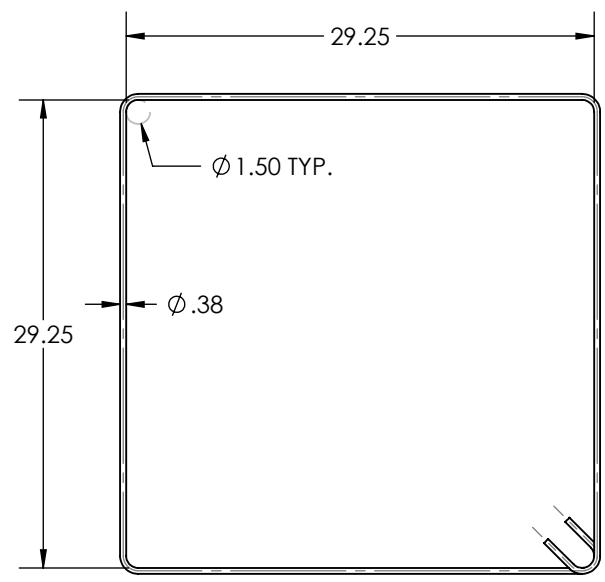
DO NOT SCALE DRAWING

PROPRIETARY AND CONFIDENTIAL
 THE INFORMATION CONTAINED IN THIS DRAWING IS THE SOLE PROPERTY OF FORMS + SURFACES. ANY REPRODUCTION IN PART OR AS A WHOLE WITHOUT WRITTEN PERMISSION IS PROHIBITED.

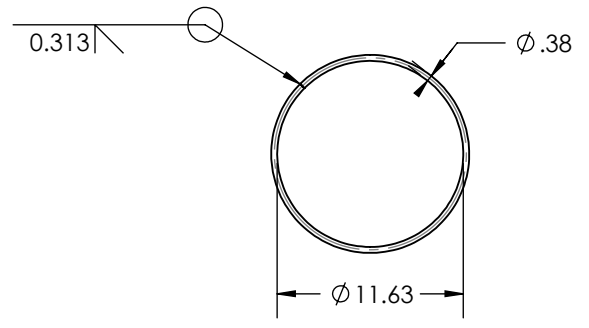
DESCRIPTION:			
FORMS+SURFACES			
SC30-P1 SECURITY CORE, HELIO 600			
INDIVIDUAL FOUNDATION, WITH PAVER			
SIZE	DWG. NO.	REV	SHEET
B	SC30-DP-IND-PV-LBHLO-INSTALL	0	1 OF 2

REV.	DESCRIPTION	REVISED BY	DATE
0	INITIAL RELEASE	-----	-----

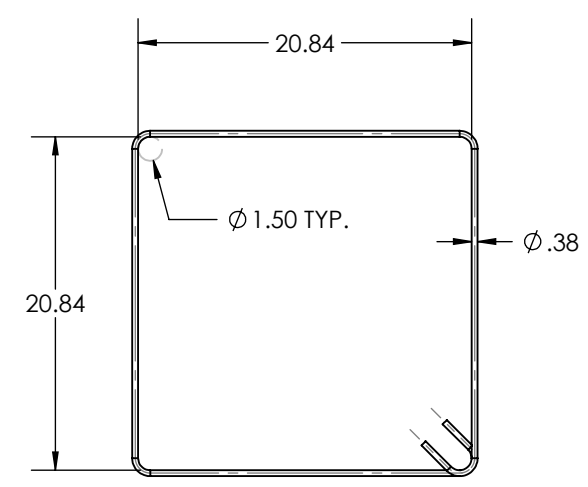
D
C
B
A



DETAIL A
#3 OUTER TIE, TYP.



DETAIL C
#3 CIRCULAR TIE, TYP.



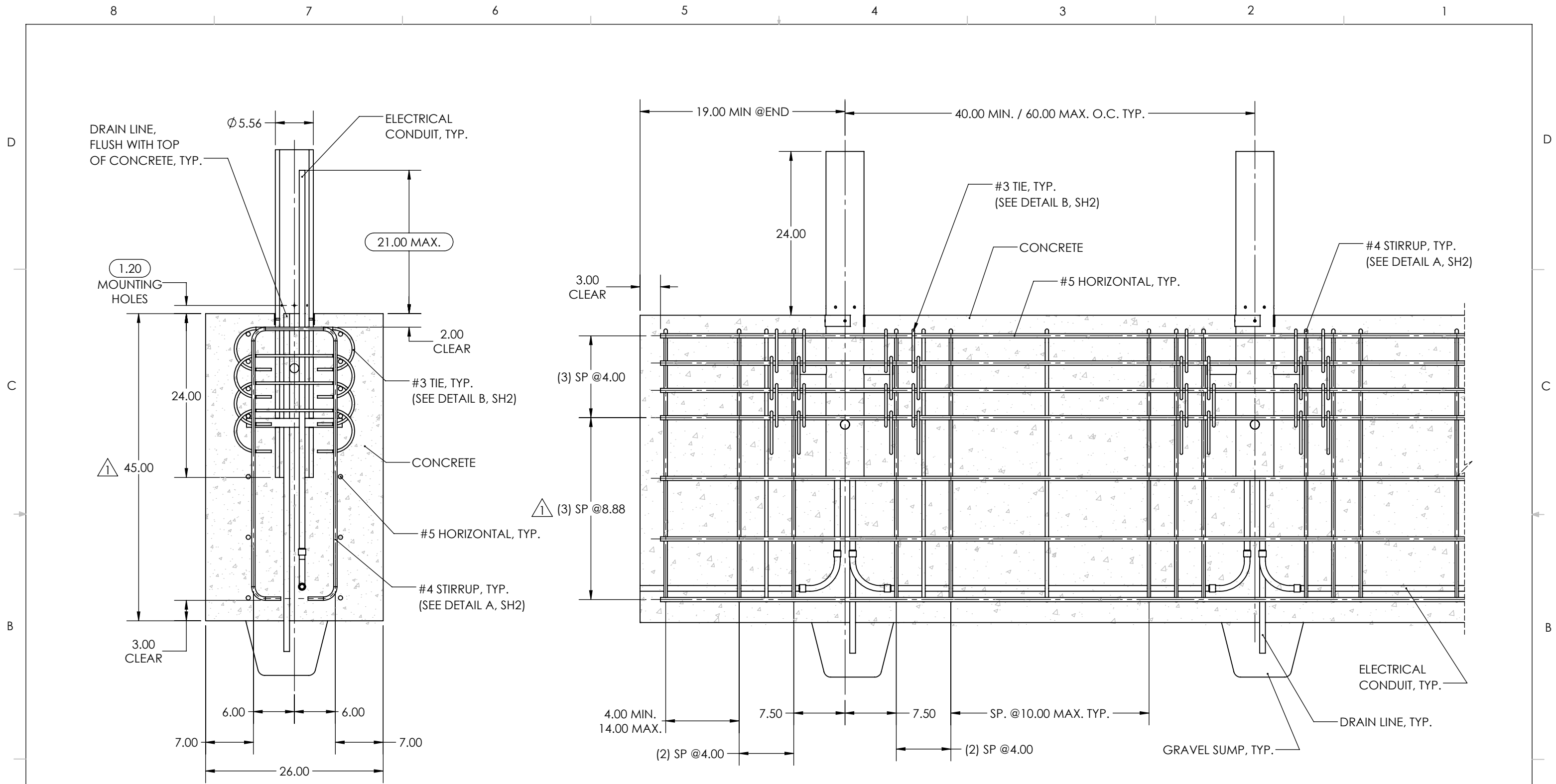
DETAIL B
#3 INNER TIE, TYP.

REBAR CHART	
BAR SIZE	DIAMETER
#3	Ø 0.375
#5	Ø 0.625

NOTES:

- FOOTINGS HAVE BEEN DESIGNED TO BEAR ON UNDISTURBED SOIL OR PROPERLY COMPACTED ENGINEERED FILL ASSUMING A NET BEARING CAPACITY OF 2000 PSF.
- REINFORCED CONCRETE WORK SHALL BE DONE IN ACCORDANCE WITH THE "BUILDING CODE REQUIREMENTS FOR REINFORCED CONCRETE" (ACI 318) AND THE SPECIFICATIONS FOR STRUCTURAL CONCRETE (ACI 301) OF THE AMERICAN CONCRETE INSTITUTE (EDITIONS AS REQUIRED BY GOVERNING CODE).
- CAST-IN-PLACE CONCRETE SHALL BE NORMAL WEIGHT CONCRETE WITH A MINIMUM 28-DAY COMPRESSIVE STRENGTH (F'C) OF 5000 PSI UNO.
- PROVIDE 6% (+/-1.5%) AIR ENTRAINMENT IN CONCRETE EXPOSED TO FREEZE/THAW.
- DEFORMED BAR REINFORCEMENT SHALL BE ASTM A615, GRADE 60; SEE CHART FOR SIZING.
- REINFORCEMENT SHALL BE SECURELY HELD IN PLACE WHILE PLACING CONCRETE. IF REQUIRED, ADDITIONAL BARS, STIRRUPS, OR CHAIRS SHALL BE PROVIDED TO FURNISH SUPPORT FOR SPECIFIED BARS.

UNLESS OTHERWISE SPECIFIED: 1. PRIMARY DIM. ARE IN INCHES & SECONDARY [DIM] IN MM 2. TOLERANCES FRACTIONAL: ±1/32; ANGULAR/BEND: ±1° TWO PLACE DECIMAL ±.030 THREE PLACE DECIMAL ±.020 3. REMOVE ALL BURRS AND SHARP EDGES		30 Pine Street, Pittsburgh, PA 15223 Tel (412) 781-9003 Fax (412) 781-7840	
MATERIAL: N/A FINISH: N/A WEIGHT: N/A SCALE: NOT TO SCALE		NAME: DWN DATE: 06/28/2023 CHECKED: CHK	DESCRIPTION: FORMS+SURFACES SC30-P1 SECURITY CORE, HELIO 600 INDIVIDUAL FOUNDATION, WITH PAVER
PROPRIETARY AND CONFIDENTIAL THE INFORMATION CONTAINED IN THIS DRAWING IS THE SOLE PROPERTY OF FORMS + SURFACES. ANY REPRODUCTION IN PART OR AS A WHOLE WITHOUT WRITTEN PERMISSION IS PROHIBITED.		SIZE: B DWG. NO.: SC30-DP-IND-PV-LBHLO-INSTALL	REV: 0 SHEET: 2 OF 2



END VIEW (PARTIAL SECTION)

SIDE VIEW (PARTIAL SECTION)

1	CONCRETE HEIGHT WAS 48.00", REBAR SPACING WAS 9.88"	YAF	06/29/2023
REV.	DESCRIPTION	REVISED BY	DATE

UNLESS OTHERWISE SPECIFIED:
 1. PRIMARY DIM. ARE IN INCHES & SECONDARY [DIM] IN MM
 2. TOLERANCES
 FRACTIONAL: ±1/32; ANGULAR/BEND: ±1°
 TWO PLACE DECIMAL ±.030
 THREE PLACE DECIMAL ±.020
 3. REMOVE ALL BURRS AND SHARP EDGES

THIRD ANGLE PROJECTION

MATERIAL: N/A

FINISH: N/A

WEIGHT: N/A

SCALE: NOT TO SCALE

FORMS+SURFACES 30 Pine Street, Pittsburgh, PA 15223
 Tel (412) 781-9003 Fax (412) 781-7840

NAME	DATE	DESCRIPTION:
DWN	RTS	10/15/21
CHK		

DO NOT SCALE DRAWING

PROPRIETARY AND CONFIDENTIAL
 THE INFORMATION CONTAINED IN THIS DRAWING IS THE SOLE PROPERTY OF FORMS + SURFACES. ANY REPRODUCTION IN PART OR AS A WHOLE WITHOUT WRITTEN PERMISSION IS PROHIBITED.

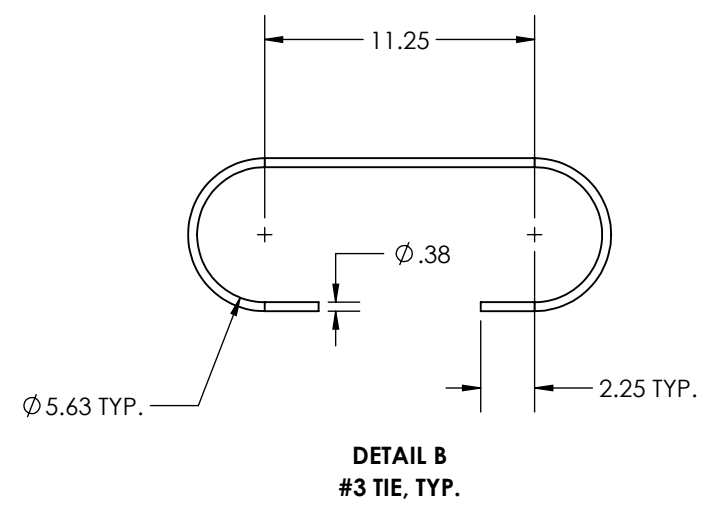
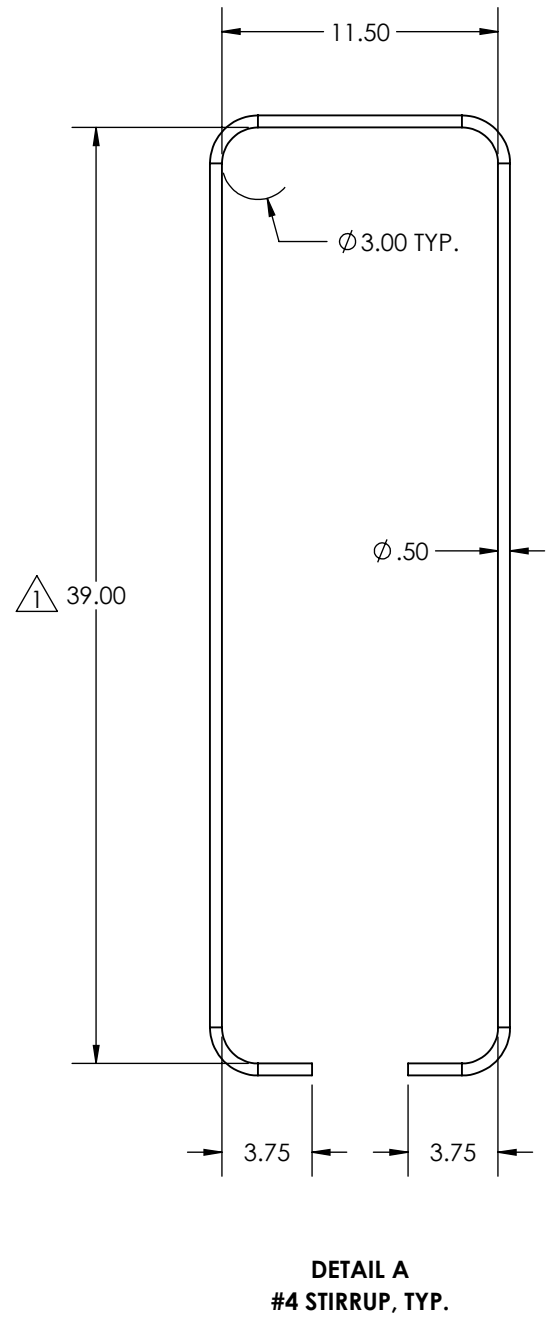
SIZE	DWG. NO.	REV	SHEET
B	SC30-DP-STR-NP-LBHLO-INSTALL	1	1 OF 2

FORMS+SURFACES
SC30-P1 SECURITY CORE, HELIO
STRIP FOUNDATION, NO PAVER

8 7 6 5 4 3 2 1

D
C
B
A

D
C
B
A



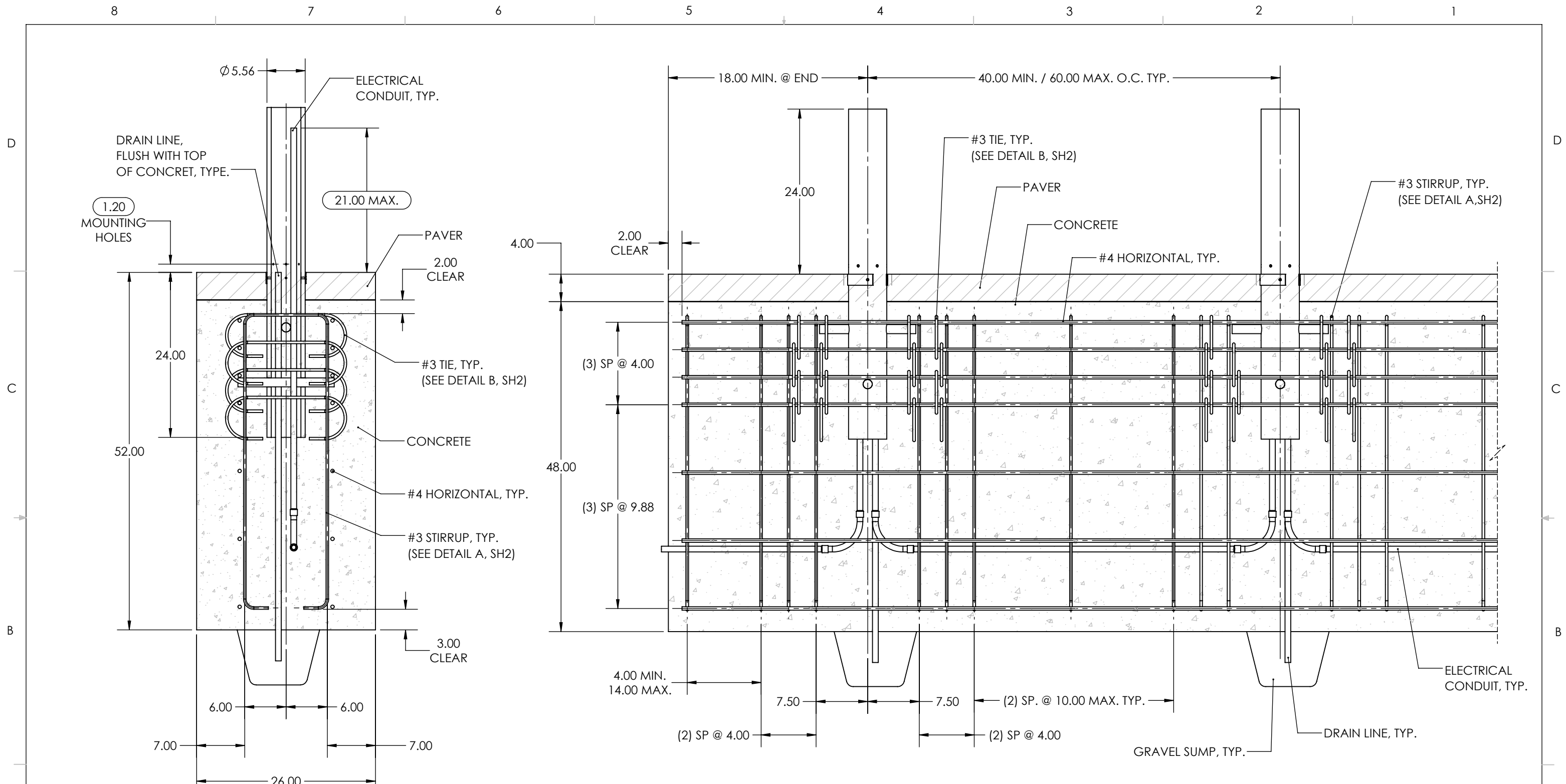
REBAR CHART	
BAR SIZE	DIAMETER
#3	Ø 0.375
#4	Ø 0.500
#5	Ø 0.625

NOTES:

1. FOOTINGS HAVE BEEN DESIGNED TO BEAR ON UNDISTURBED SOIL OR PROPERLY COMPACTED ENGINEERED FILL ASSUMING A NET BEARING CAPACITY OF 2000 PSF.
2. REINFORCED CONCRETE WORK SHALL BE DONE IN ACCORDANCE WITH THE "BUILDING CODE REQUIREMENTS FOR REINFORCED CONCRETE" (ACI 318) AND THE SPECIFICATIONS FOR STRUCTURAL CONCRETE (ACI 301) OF THE AMERICAN CONCRETE INSTITUTE (EDITIONS AS REQUIRED BY GOVERNING CODE).
3. CAST-IN-PLACE CONCRETE SHALL BE NORMAL WEIGHT CONCRETE WITH A MINIMUM 28-DAY COMPRESSIVE STRENGTH (FC) OF 5000 PSI UNO.
4. PROVIDE 6% (+/-1.5%) AIR ENTRAINMENT IN CONCRETE EXPOSED TO FREEZE/THAW.
5. DEFORMED BAR REINFORCEMENT SHALL BE ASTM A615, GRADE 60; SEE CHART FOR SIZING.
6. REINFORCEMENT SHALL BE SECURELY HELD IN PLACE WHILE PLACING CONCRETE. IF REQUIRED, ADDITIONAL BARS, STIRRUPS, OR CHAIRS SHALL BE PROVIDED TO FURNISH SUPPORT FOR SPECIFIED BARS.

<p>UNLESS OTHERWISE SPECIFIED: 1. PRIMARY DIM. ARE IN INCHES & SECONDARY [DIM] IN MM 2. TOLERANCES FRACTIONAL: ±1/32; ANGULAR/BEND: ±1° TWO PLACE DECIMAL ±.030 THREE PLACE DECIMAL ±.020 3. REMOVE ALL BURRS AND SHARP EDGES</p>		<p>FORMS+SURFACES 30 Pine Street, Pittsburgh, PA 15223 Tel (412) 781-9003 Fax (412) 781-7840</p>	
<p>THIRD ANGLE PROJECTION</p>		<p>NAME</p> <p>DWN RTS</p>	<p>DATE</p> <p>10/15/21</p>
<p>MATERIAL: N/A</p>		<p>DESCRIPTION: FORMS+SURFACES SC30-P1 SECURITY CORE, HELIO STRIP FOUNDATION, NO PAVER</p>	
<p>FINISH: N/A</p>		<p>DO NOT SCALE DRAWING</p>	
<p>WEIGHT: N/A</p>		<p>PROPRIETARY AND CONFIDENTIAL THE INFORMATION CONTAINED IN THIS DRAWING IS THE SOLE PROPERTY OF FORMS + SURFACES. ANY REPRODUCTION IN PART OR AS A WHOLE WITHOUT WRITTEN PERMISSION IS PROHIBITED.</p>	
<p>SCALE: NOT TO SCALE</p>		<p>SIZE</p> <p>B</p>	<p>DWG. NO.</p> <p>SC30-DP-STR-NP-LBHLO-INSTALL</p>
		<p>REV</p> <p>1</p>	<p>SHEET</p> <p>2 OF 2</p>

8 7 6 5 4 3 2 1



END VIEW (PARTIAL SECTION)

SIDE VIEW (PARTIAL SECTION)

UNLESS OTHERWISE SPECIFIED:
 1. PRIMARY DIM. ARE IN INCHES & SECONDARY [DIM] IN MM
 2. TOLERANCES
 FRACTIONAL: ±1/32; ANGULAR/BEND: ±1°
 TWO PLACE DECIMAL ±.030
 THREE PLACE DECIMAL ±.020
 3. REMOVE ALL BURRS AND SHARP EDGES
 THIRD ANGLE PROJECTION
 MATERIAL: N/A
 FINISH: N/A
 WEIGHT: N/A
 SCALE: NOT TO SCALE



30 Pine Street, Pittsburgh, PA 15223
 Tel (412) 781-9003 Fax (412) 385-4715

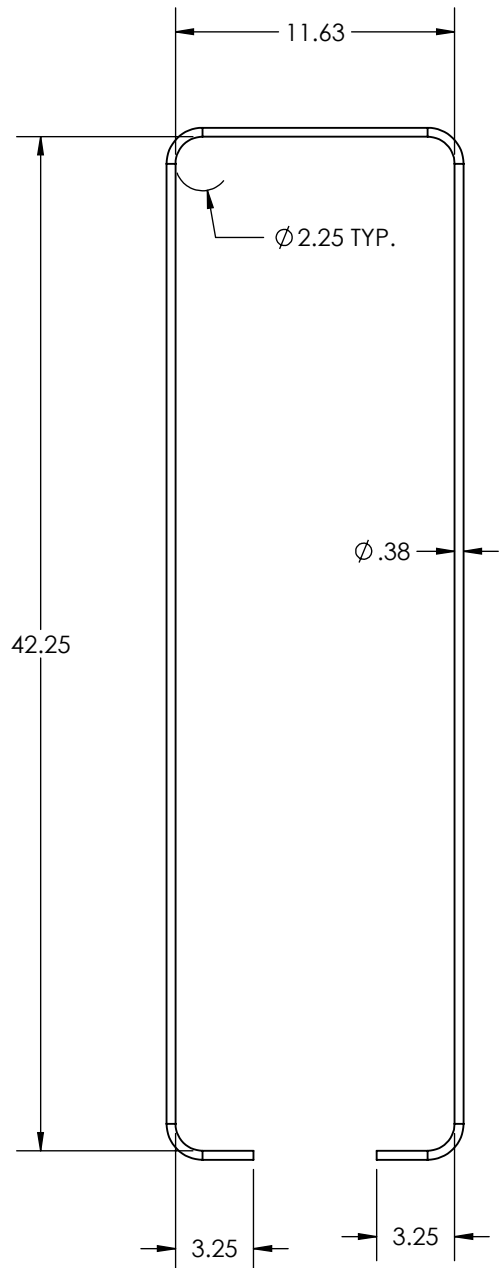
NAME	DATE
DWN YAF	06/29/2023
CHK	

DESCRIPTION:
FORMS+SURFACES
SC30-P1 SECURITY CORE, HELIO
STRIP FOUNDATION, WITH PAVER

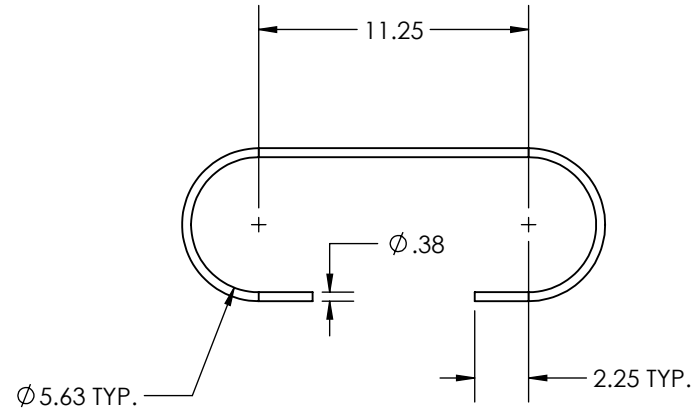
SIZE	DWG. NO.	REV	SHEET
B	SC30-DP-STR-PV-LBHLO-INSTALL	0	1 OF 2

REV.	DESCRIPTION	REVISED BY	DATE
0	INITIAL RELEASE	-----	-----

D
C
B
A



**DETAIL A
#3 STIRRUP, TYP.**



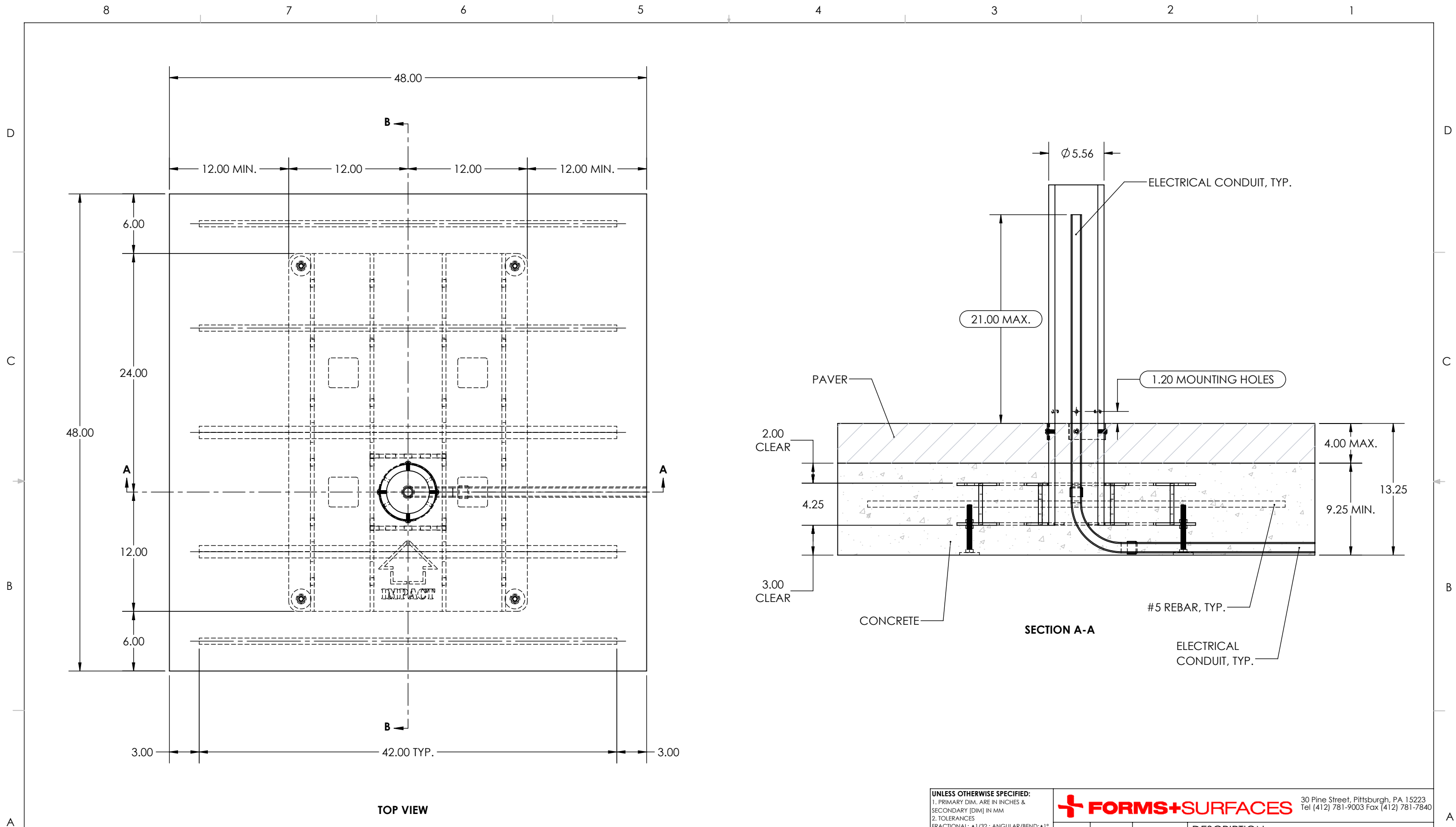
**DETAIL B
#3 TIE, TYP.**

REBAR CHART	
BAR SIZE	DIAMETER
#3	Ø 0.375
#4	Ø 0.500

NOTES:

1. FOOTINGS HAVE BEEN DESIGNED TO BEAR ON UNDISTURBED SOIL OR PROPERLY COMPACTED ENGINEERED FILL ASSUMING A NET BEARING CAPACITY OF 2000 PSF.
2. REINFORCED CONCRETE WORK SHALL BE DONE IN ACCORDANCE WITH THE "BUILDING CODE REQUIREMENTS FOR REINFORCED CONCRETE" (ACI 318) AND THE SPECIFICATIONS FOR STRUCTURAL CONCRETE (ACI 301) OF THE AMERICAN CONCRETE INSTITUTE (EDITIONS AS REQUIRED BY GOVERNING CODE).
3. CAST-IN-PLACE CONCRETE SHALL BE NORMAL WEIGHT CONCRETE WITH A MINIMUM 28-DAY COMPRESSIVE STRENGTH (FC) OF 5000 PSI UNO.
4. PROVIDE 6% (+/-1.5%) AIR ENTRAINMENT IN CONCRETE EXPOSED TO FREEZE/THAW.
5. DEFORMED BAR REINFORCEMENT SHALL BE ASTM A615, GRADE 60; SEE CHART FOR SIZING.
6. REINFORCEMENT SHALL BE SECURELY HELD IN PLACE WHILE PLACING CONCRETE. IF REQUIRED, ADDITIONAL BARS, STIRRUPS, OR CHAIRS SHALL BE PROVIDED TO FURNISH SUPPORT FOR SPECIFIED BARS.

UNLESS OTHERWISE SPECIFIED: 1. PRIMARY DIM. ARE IN INCHES & SECONDARY [DIM] IN MM 2. TOLERANCES FRACTIONAL: ±1/32; ANGULAR/BEND: ±1° TWO PLACE DECIMAL ±.030 THREE PLACE DECIMAL ±.020 3. REMOVE ALL BURRS AND SHARP EDGES		30 Pine Street, Pittsburgh, PA 15223 Tel (412) 781-9003 Fax (412) 781-7840	
MATERIAL: N/A FINISH: N/A WEIGHT: N/A SCALE: NOT TO SCALE		NAME: DWN DATE: 06/29/2023 CHECKED: CHK	DESCRIPTION: FORMS+SURFACES SC30-P1 SECURITY CORE, HELIO STRIP FOUNDATION, WITH PAVER
PROPRIETARY AND CONFIDENTIAL THE INFORMATION CONTAINED IN THIS DRAWING IS THE SOLE PROPERTY OF FORMS + SURFACES. ANY REPRODUCTION IN PART OR AS A WHOLE WITHOUT WRITTEN PERMISSION IS PROHIBITED.		DO NOT SCALE DRAWING	SIZE: B DWG. NO.: SC30-DP-STR-PV-LBHLO-INSTALL REV: 0 SHEET: 2 OF 2



TOP VIEW

SECTION A-A

REV.	DESCRIPTION	REVISED BY	DATE
0	INITIAL RELEASE	-----	-----

UNLESS OTHERWISE SPECIFIED:
 1. PRIMARY DIM. ARE IN INCHES & SECONDARY [DIM] IN MM
 2. TOLERANCES
 FRACTIONAL: ±1/32; ANGULAR/BEND: ±1°
 TWO PLACE DECIMAL ±.030
 THREE PLACE DECIMAL ±.020
 3. REMOVE ALL BURRS AND SHARP EDGES

THIRD ANGLE PROJECTION

MATERIAL: N/A

FINISH: N/A

WEIGHT: N/A

SCALE: NOT TO SCALE

FORMS+SURFACES 30 Pine Street, Pittsburgh, PA 15223
 Tel (412) 781-9003 Fax (412) 781-7840

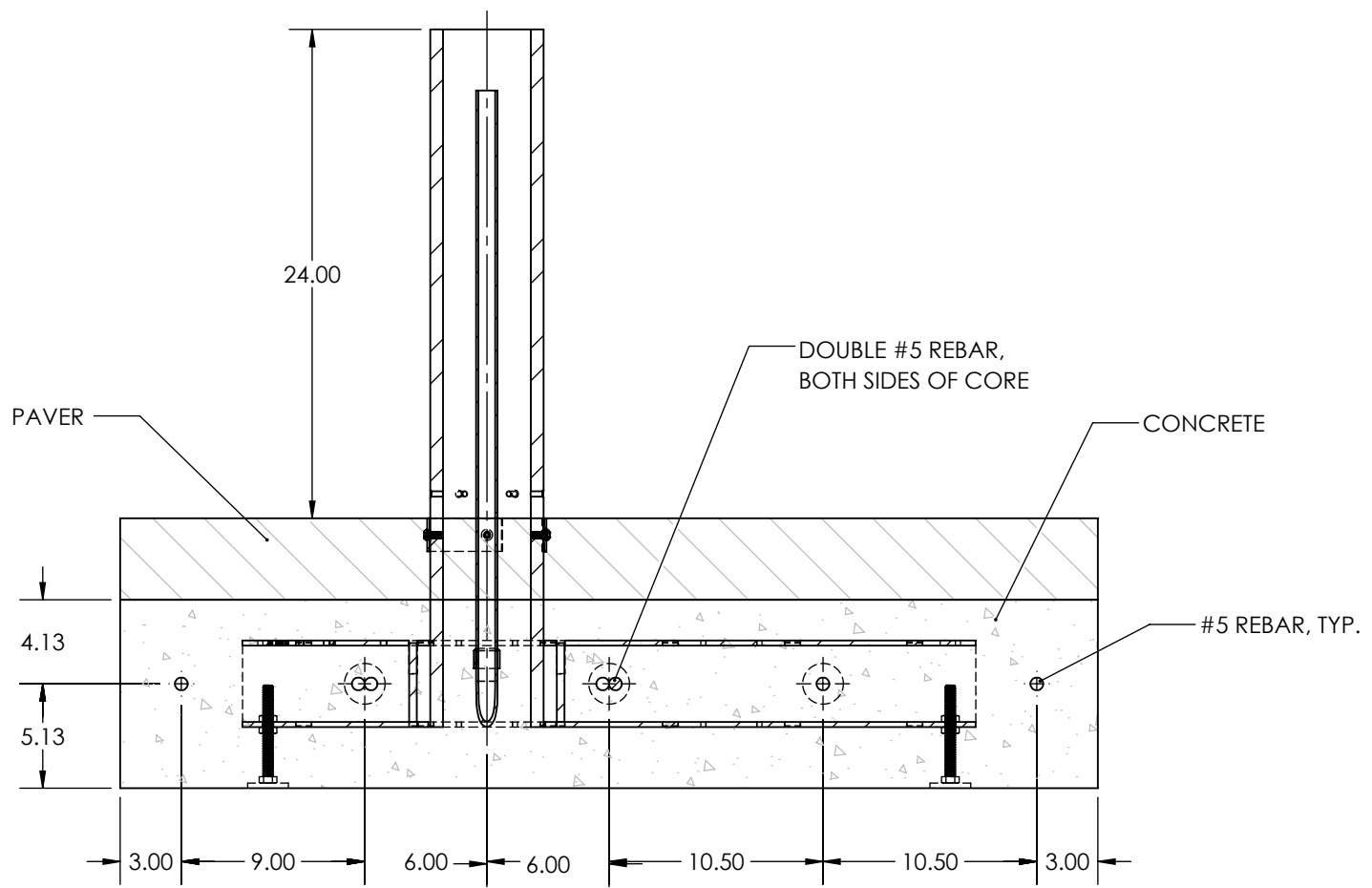
NAME	DATE	DESCRIPTION:
DWN	YAF	07/06/2023
CHK		

DO NOT SCALE DRAWING

PROPRIETARY AND CONFIDENTIAL
 THE INFORMATION CONTAINED IN THIS DRAWING IS THE SOLE PROPERTY OF FORMS + SURFACES. ANY REPRODUCTION IN PART OR AS A WHOLE WITHOUT WRITTEN PERMISSION IS PROHIBITED.

SIZE	DWG. NO.	REV	SHEET
B	SC30-SH-IND-PV-LBHLO-INSTALL	1	1 OF 3

FORMS+SURFACES
SC30-P1 SHALLOW SECURITY CORE, HELIO INDIVIDUAL FOUNDATION, WITH PAVER



SECTION B-B
SCALE 1 : 9

NOTES:

- FOOTINGS HAVE BEEN DESIGNED TO BEAR ON UNDISTURBED SOIL OR PROPERLY COMPACTED ENGINEERED FILL ASSUMING A NET BEARING CAPACITY OF 2000 PSF.
- REINFORCED CONCRETE WORK SHALL BE DONE IN ACCORDANCE WITH THE "BUILDING CODE REQUIREMENTS FOR REINFORCED CONCRETE" (ACI 318) AND THE SPECIFICATIONS FOR STRUCTURAL CONCRETE (ACI 301) OF THE AMERICAN CONCRETE INSTITUTE (EDITIONS AS REQUIRED BY GOVERNING CODE).
- CAST-IN-PLACE CONCRETE SHALL BE NORMAL WEIGHT CONCRETE WITH A MINIMUM 28-DAY COMPRESSIVE STRENGTH (F'C) OF 5000 PSI UNO.
- PROVIDE 6% (+/-1.5%) AIR ENTRAINMENT IN CONCRETE EXPOSED TO FREEZE/THAW.
- DEFORMED BAR REINFORCEMENT SHALL BE ASTM A615, GRADE 60; SEE CHART FOR SIZING.
- REINFORCEMENT SHALL BE SECURELY HELD IN PLACE WHILE PLACING CONCRETE. IF REQUIRED, ADDITIONAL BARS, STIRRUPS, OR CHAIRS SHALL BE PROVIDED TO FURNISH SUPPORT FOR SPECIFIED BARS.

REBAR CHART	
BAR SIZE	DIAMETER
#5	Ø 0.625

<p>UNLESS OTHERWISE SPECIFIED: 1. PRIMARY DIM. ARE IN INCHES & SECONDARY [DIM] IN MM 2. TOLERANCES FRACTIONAL: ±1/32; ANGULAR/BEND: ±1° TWO PLACE DECIMAL ±.030 THREE PLACE DECIMAL ±.020 3. REMOVE ALL BURRS AND SHARP EDGES</p>		<p>FORMS+SURFACES 30 Pine Street, Pittsburgh, PA 15223 Tel (412) 781-9003 Fax (412) 781-7840</p>	
<p>THIRD ANGLE PROJECTION</p>	<p>NAME</p>	<p>DATE</p>	<p>DESCRIPTION:</p>
<p>MATERIAL: N/A</p>	<p>DWN</p>	<p>YAF</p>	<p>07/06/2023</p>
<p>FINISH: N/A</p>	<p>CHK</p>		<p>FORMS+SURFACES</p>
<p>WEIGHT: N/A</p>	<p>DO NOT SCALE DRAWING</p>		<p>SC30-P1 SHALLOW SECURITY CORE, HELIO</p>
<p>SCALE: NOT TO SCALE</p>	<p>PROPRIETARY AND CONFIDENTIAL</p>		<p>INDIVIDUAL FOUNDATION, WITH PAVER</p>
<p>THE INFORMATION CONTAINED IN THIS DRAWING IS THE SOLE PROPERTY OF FORMS + SURFACES. ANY REPRODUCTION IN PART OR AS A WHOLE WITHOUT WRITTEN PERMISSION IS PROHIBITED.</p>		<p>SIZE</p>	<p>DWG. NO.</p>
		<p>B</p>	<p>SC30-SH-IND-PV-LBHLO-INSTALL</p>
		<p>REV</p>	<p>SHEET</p>
		<p>1</p>	<p>2 OF 3</p>

8 7 6 5 4 3 2 1

D

D

C

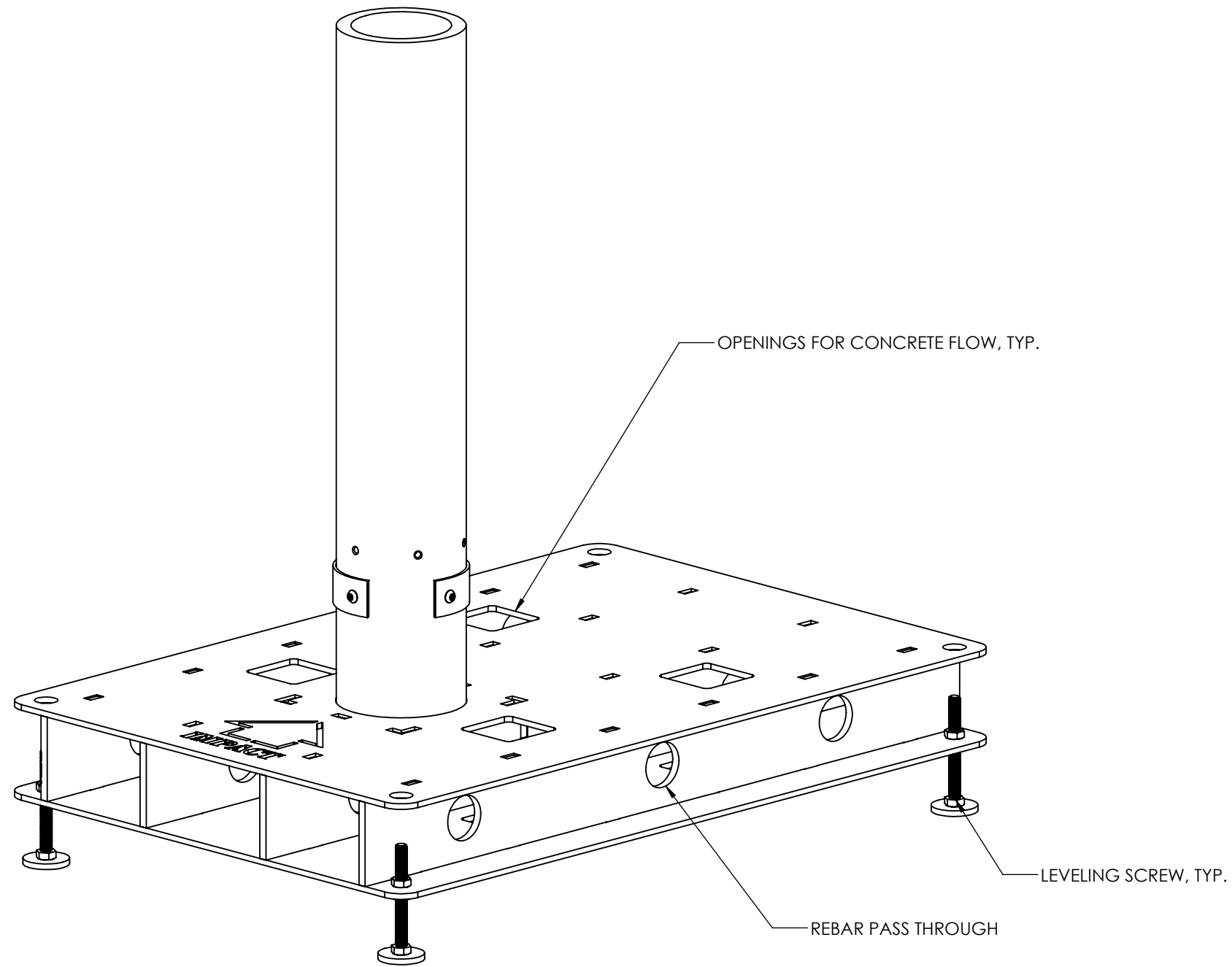
C

B

B

A

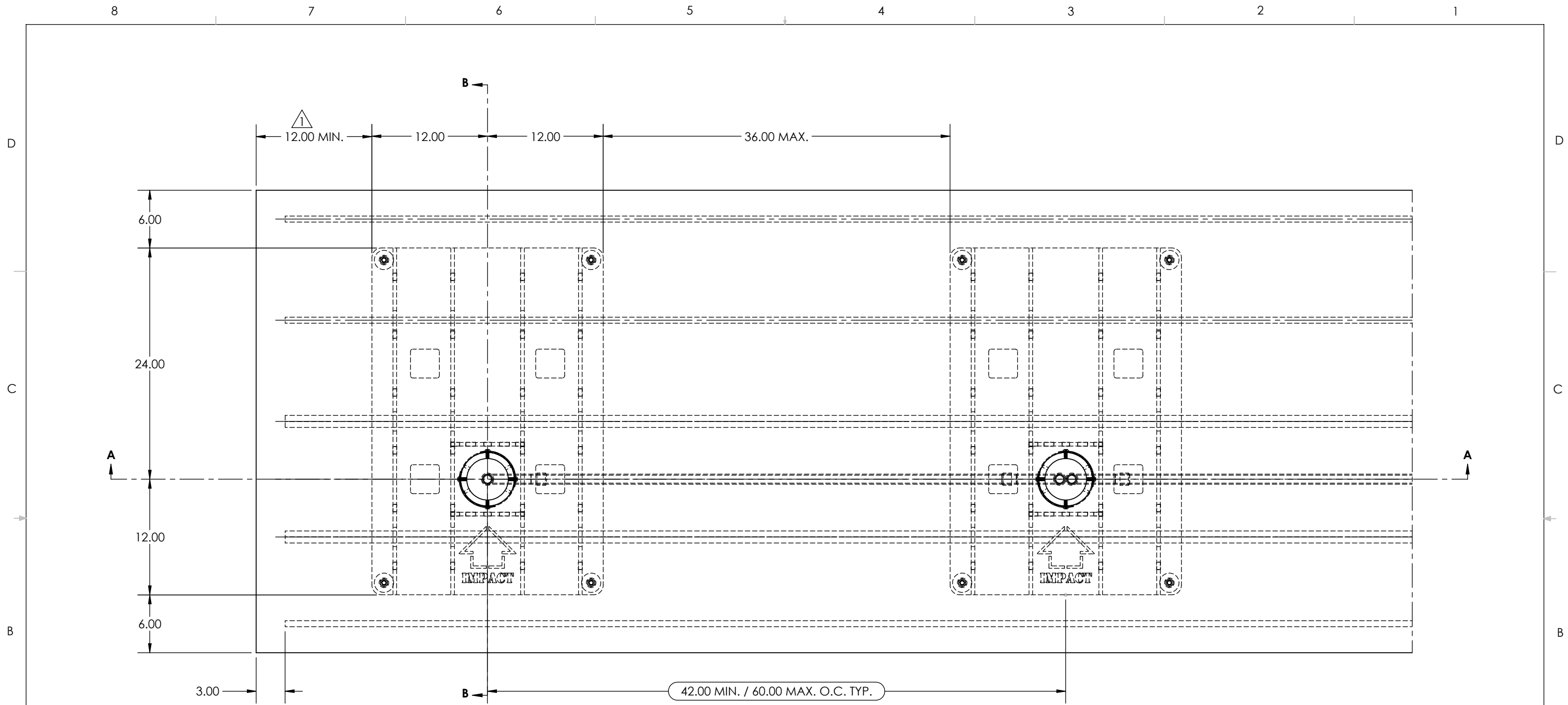
A



ISOMETRIC VIEW
SECURITY CORE WELDMENT

UNLESS OTHERWISE SPECIFIED: 1. PRIMARY DIM. ARE IN INCHES & SECONDARY [DIM] IN MM 2. TOLERANCES FRACTIONAL: $\pm 1/32$; ANGULAR/BEND: $\pm 1^\circ$ TWO PLACE DECIMAL $\pm .030$ THREE PLACE DECIMAL $\pm .020$ 3. REMOVE ALL BURRS AND SHARP EDGES				30 Pine Street, Pittsburgh, PA 15223 Tel (412) 781-9003 Fax (412) 781-7840	
MATERIAL: N/A		NAME DWN YAF	DATE 07/06/2023	DESCRIPTION: FORMS+SURFACES SC30-P1 SHALLOW SECURITY CORE, HELIO INDIVIDUAL FOUNDATION, WITH PAVER	
FINISH: N/A		DO NOT SCALE DRAWING		SIZE B	
WEIGHT: N/A		PROPRIETARY AND CONFIDENTIAL <small>THE INFORMATION CONTAINED IN THIS DRAWING IS THE SOLE PROPERTY OF FORMS + SURFACES. ANY REPRODUCTION IN PART OR AS A WHOLE WITHOUT WRITTEN PERMISSION IS PROHIBITED.</small>		REV 1	SHEET 3 OF 3
SCALE: NOT TO SCALE		DWG. NO. SC30-SH-IND-PV-LBHLO-INSTALL		SHEET 3 OF 3	

8 7 6 5 4 3 2 1



TOP VIEW

1	MINIMUM END CLEARANCE WAS 18"	YAF	07/06/2023
REV.	DESCRIPTION	REVISED BY	DATE

UNLESS OTHERWISE SPECIFIED:
 1. PRIMARY DIM. ARE IN INCHES & SECONDARY [DIM] IN MM
 2. TOLERANCES
 FRACTIONAL: ±1/32; ANGULAR/BEND: ±1°
 TWO PLACE DECIMAL ±.030
 THREE PLACE DECIMAL ±.020
 3. REMOVE ALL BURRS AND SHARP EDGES

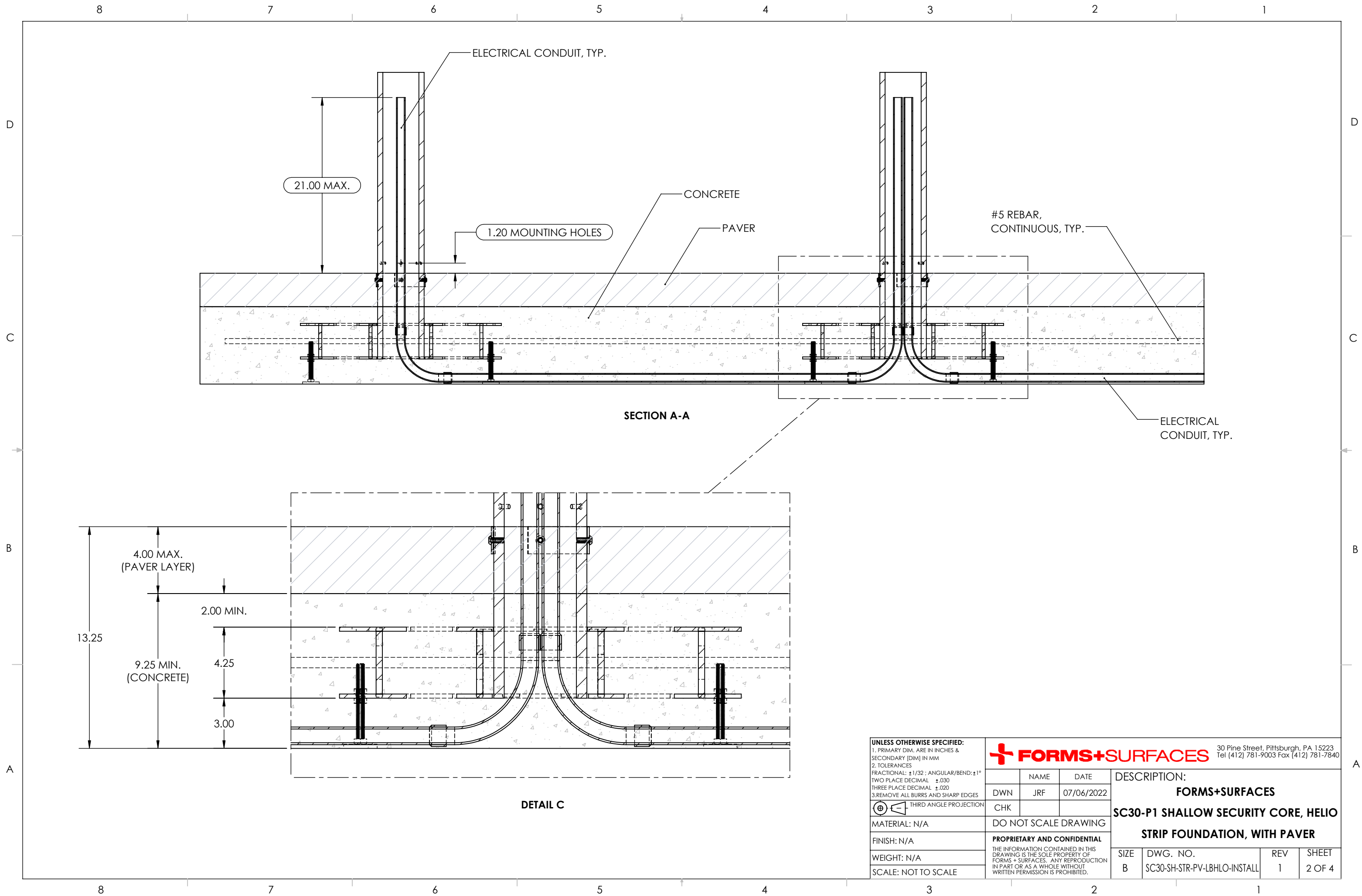
THIRD ANGLE PROJECTION

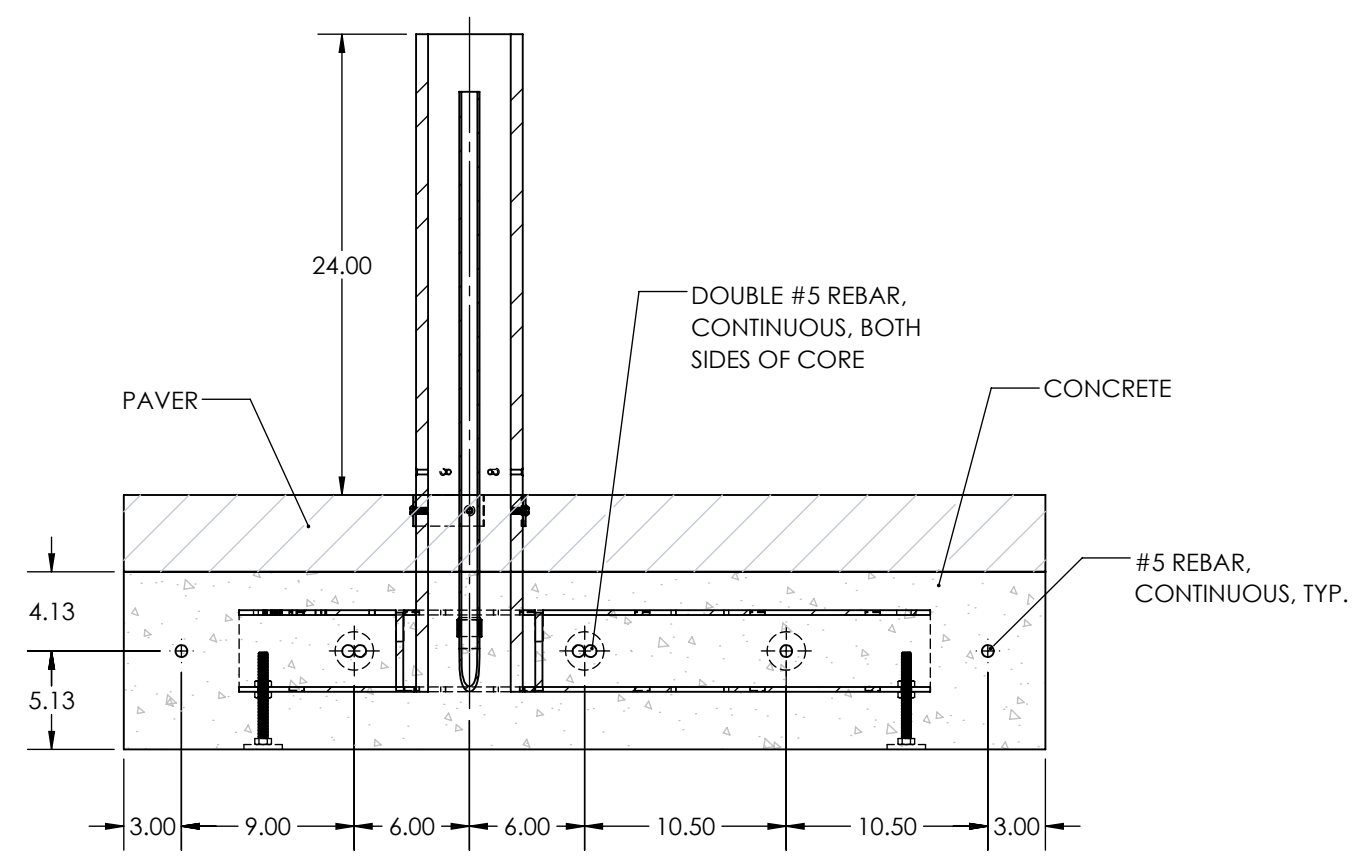
MATERIAL: N/A
 FINISH: N/A
 WEIGHT: N/A
 SCALE: NOT TO SCALE

FORMS+SURFACES 30 Pine Street, Pittsburgh, PA 15223
 Tel (412) 781-9003 Fax (412) 781-7840

NAME	DATE	DESCRIPTION: FORMS+SURFACES SC30-P1 SHALLOW SECURITY CORE, HELIO STRIP FOUNDATION, WITH PAVER								
DWN	JRF 07/06/2022									
CHK										
DO NOT SCALE DRAWING		<table border="1"> <tr> <th>SIZE</th> <th>DWG. NO.</th> <th>REV</th> <th>SHEET</th> </tr> <tr> <td>B</td> <td>SC30-SH-STR-PV-LBHLO-INSTALL</td> <td>1</td> <td>1 OF 4</td> </tr> </table>	SIZE	DWG. NO.	REV	SHEET	B	SC30-SH-STR-PV-LBHLO-INSTALL	1	1 OF 4
SIZE	DWG. NO.	REV	SHEET							
B	SC30-SH-STR-PV-LBHLO-INSTALL	1	1 OF 4							

PROPRIETARY AND CONFIDENTIAL
 THE INFORMATION CONTAINED IN THIS DRAWING IS THE SOLE PROPERTY OF FORMS + SURFACES. ANY REPRODUCTION IN PART OR AS A WHOLE WITHOUT WRITTEN PERMISSION IS PROHIBITED.





SECTION B-B

NOTES:

- FOOTINGS HAVE BEEN DESIGNED TO BEAR ON UNDISTURBED SOIL OR PROPERLY COMPACTED ENGINEERED FILL ASSUMING A NET BEARING CAPACITY OF 2000 PSF.
- REINFORCED CONCRETE WORK SHALL BE DONE IN ACCORDANCE WITH THE "BUILDING CODE REQUIREMENTS FOR REINFORCED CONCRETE" (ACI 318) AND THE SPECIFICATIONS FOR STRUCTURAL CONCRETE (ACI 301) OF THE AMERICAN CONCRETE INSTITUTE (EDITIONS AS REQUIRED BY GOVERNING CODE).
- CAST-IN-PLACE CONCRETE SHALL BE NORMAL WEIGHT CONCRETE WITH A MINIMUM 28-DAY COMPRESSIVE STRENGTH (F'c) OF 5000 PSI UNO.
- PROVIDE 6% (+/-1.5%) AIR ENTRAINMENT IN CONCRETE EXPOSED TO FREEZE/THAW.
- DEFORMED BAR REINFORCEMENT SHALL BE ASTM A615, GRADE 60; SEE CHART FOR SIZING.
- REINFORCEMENT SHALL BE SECURELY HELD IN PLACE WHILE PLACING CONCRETE. IF REQUIRED, ADDITIONAL BARS, STIRRUPS, OR CHAIRS SHALL BE PROVIDED TO FURNISH SUPPORT FOR SPECIFIED BARS.

REBAR CHART	
BAR SIZE	DIAMETER
#5	Ø 0.625

<p>UNLESS OTHERWISE SPECIFIED: 1. PRIMARY DIM. ARE IN INCHES & SECONDARY [DIM] IN MM 2. TOLERANCES FRACTIONAL: ±1/32; ANGULAR/BEND: ±1° TWO PLACE DECIMAL ±.030 THREE PLACE DECIMAL ±.020 3. REMOVE ALL BURRS AND SHARP EDGES</p>		<p>FORMS+SURFACES 30 Pine Street, Pittsburgh, PA 15223 Tel (412) 781-9003 Fax (412) 781-7840</p>	
<p>THIRD ANGLE PROJECTION</p>	<p>NAME: DWN DATE: JRF 07/06/2022</p>	<p>DESCRIPTION: FORMS+SURFACES SC30-P1 SHALLOW SECURITY CORE, HELIO STRIP FOUNDATION, WITH PAVER</p>	
<p>MATERIAL: N/A FINISH: N/A WEIGHT: N/A SCALE: NOT TO SCALE</p>	<p>CHK</p> <p>DO NOT SCALE DRAWING</p> <p>PROPRIETARY AND CONFIDENTIAL THE INFORMATION CONTAINED IN THIS DRAWING IS THE SOLE PROPERTY OF FORMS + SURFACES. ANY REPRODUCTION IN PART OR AS A WHOLE WITHOUT WRITTEN PERMISSION IS PROHIBITED.</p>	<p>SIZE: B</p>	<p>DWG. NO.: SC30-SH-STR-PV-LBHLO-INSTALL REV: 1 SHEET: 3 OF 4</p>

8 7 6 5 4 3 2 1

D

C

B

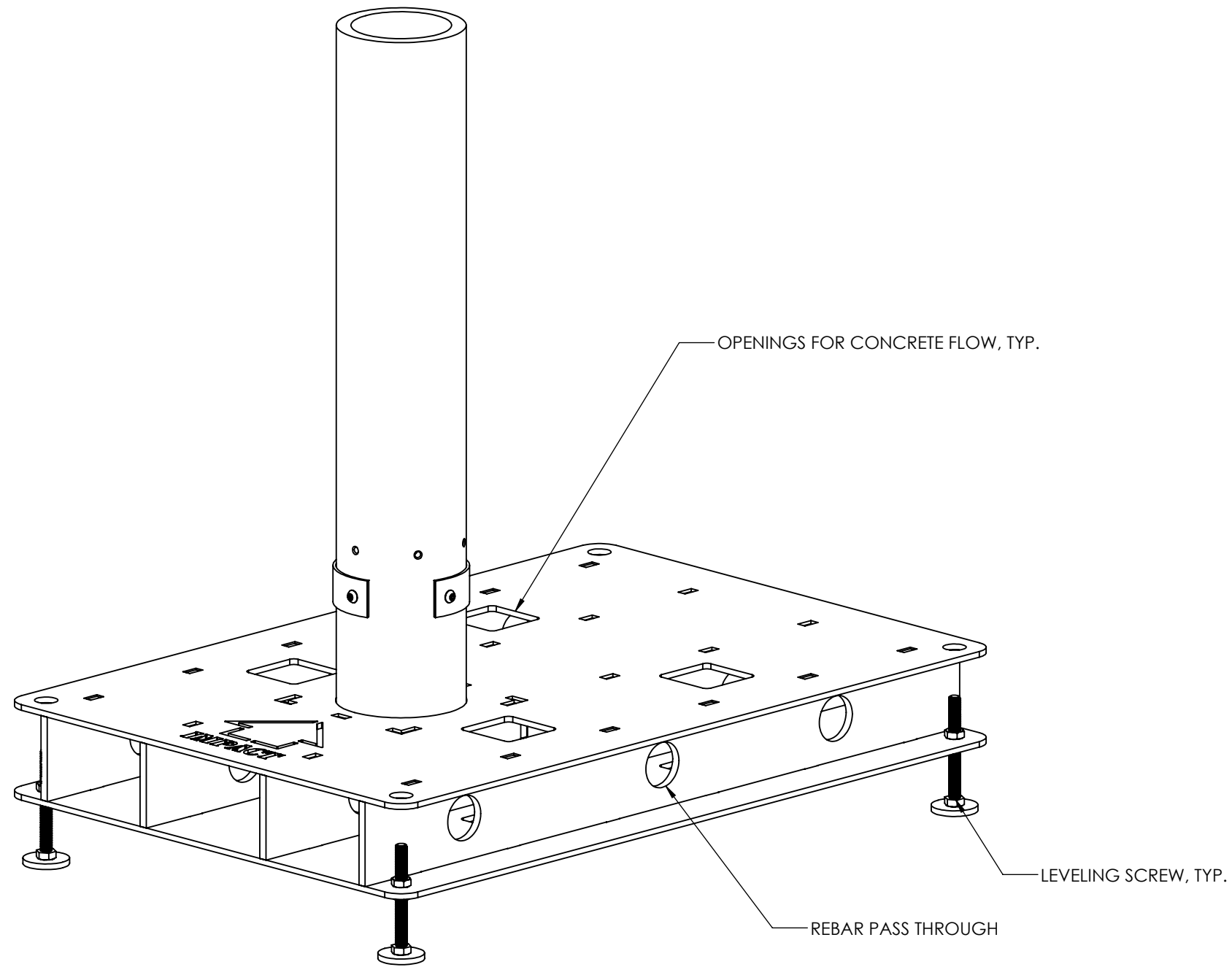
A

D

C

B

A



**ISOMETRIC VIEW
SECURITY CORE WELDMENT**

UNLESS OTHERWISE SPECIFIED: 1. PRIMARY DIM. ARE IN INCHES & SECONDARY [DIM] IN MM 2. TOLERANCES FRACTIONAL: ±1/32; ANGULAR/BEND: ±1° TWO PLACE DECIMAL ±.030 THREE PLACE DECIMAL ±.020 3. REMOVE ALL BURRS AND SHARP EDGES				30 Pine Street, Pittsburgh, PA 15223 Tel (412) 781-9003 Fax (412) 781-7840	
THIRD ANGLE PROJECTION		NAME DWN JRF	DATE 07/06/2022	DESCRIPTION: FORMS+SURFACES SC30-P1 SHALLOW SECURITY CORE, HELIO STRIP FOUNDATION, WITH PAVER	
MATERIAL: N/A		DO NOT SCALE DRAWING		SIZE B SC30-SH-STR-PV-LBHLO-INSTALL	
FINISH: N/A		PROPRIETARY AND CONFIDENTIAL THE INFORMATION CONTAINED IN THIS DRAWING IS THE SOLE PROPERTY OF FORMS + SURFACES. ANY REPRODUCTION IN PART OR AS A WHOLE WITHOUT WRITTEN PERMISSION IS PROHIBITED.		REV 1	SHEET 4 OF 4
WEIGHT: N/A		SCALE: NOT TO SCALE			

8 7 6 5 4 3 2 1