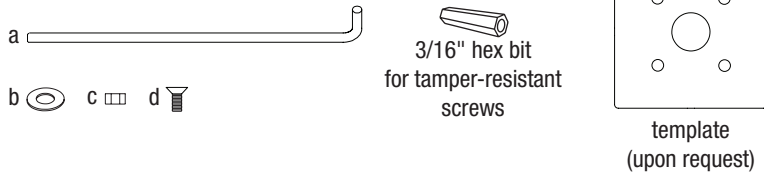


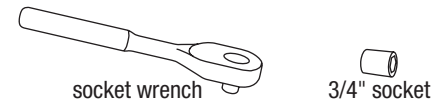
# KNIGHT™ PEDESTRIAN

## SURFACE MOUNT INSTALLATION INSTRUCTIONS

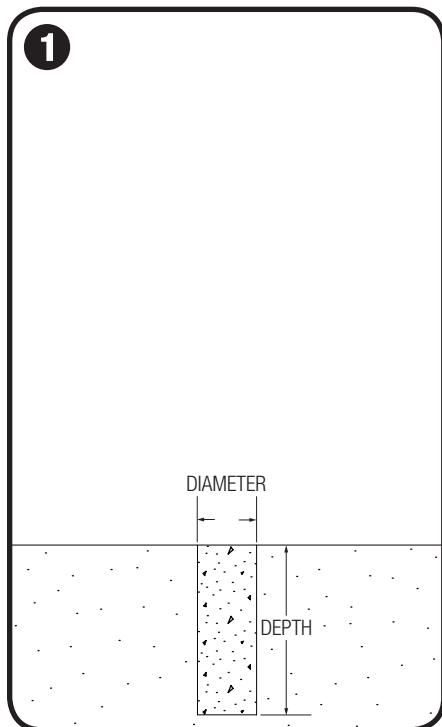
### MATERIALS INCLUDED



### TOOLS NEEDED

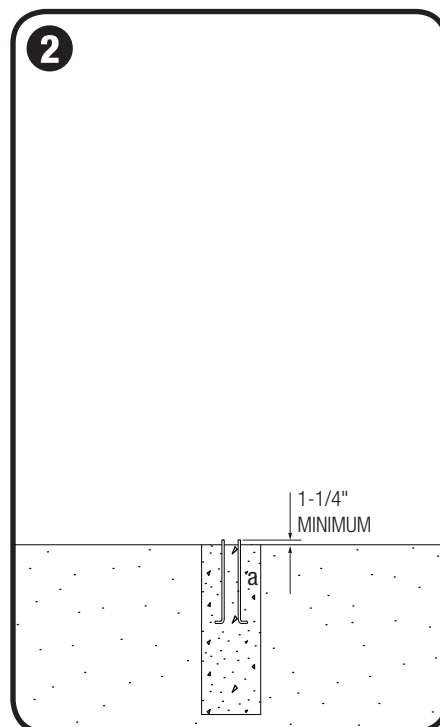


### STEP BY STEP FOR ALL KNIGHT PEDESTRIAN LIGHTING



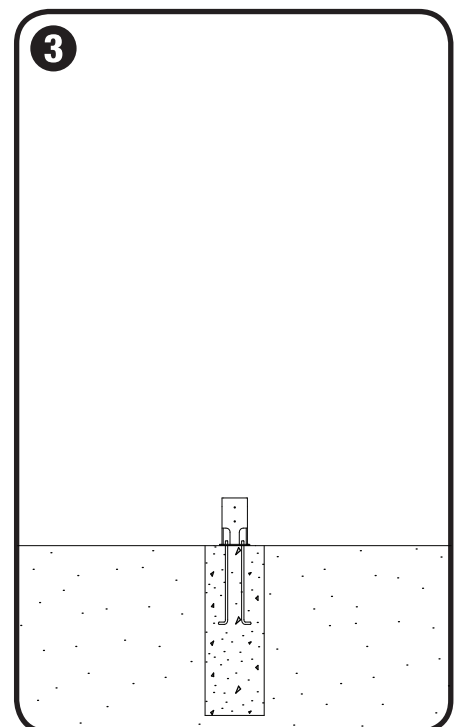
#### Pour concrete footer

- Mix and pour concrete footer according to concrete manufacturer's instructions.
- A sufficient footer size depends on frost and other conditions to be determined by the installer. A minimum of a 13" diameter x 36" deep footer is recommended.



#### Insert J-bolt anchors

- Insert 1/2"-13 x 18" galvanized steel J-bolt anchors (a) into concrete.
- Use template (included) to position J-bolt anchors in proper locations. Tops of J-bolt anchors must be a minimum of 1-1/4" above concrete surface.
- Allow concrete to set completely, in accordance with concrete manufacturer's instructions, before moving to step 3.



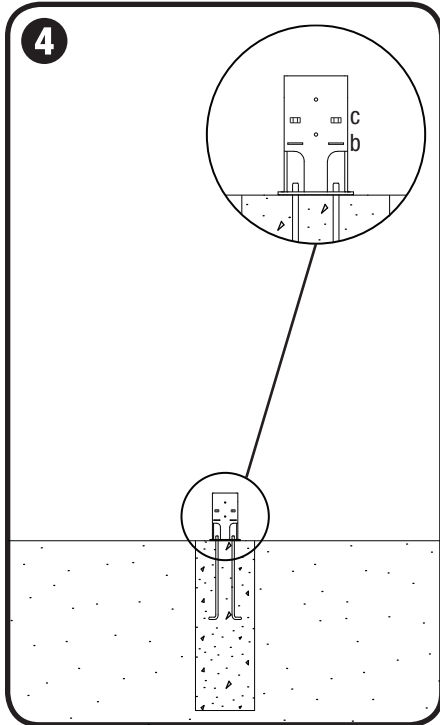
#### Slide base plate onto J-bolt anchors

- Slide base plate over J-bolt anchors and lower to concrete level.

# KNIGHT™ PEDESTRIAN

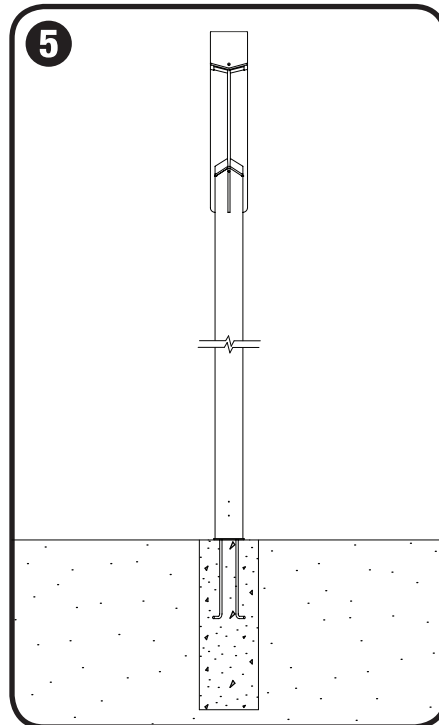
## SURFACE MOUNT INSTALLATION INSTRUCTIONS

### STEP BY STEP FOR ALL KNIGHT PEDESTRIAN LIGHTING



#### Attach base plate & tighten

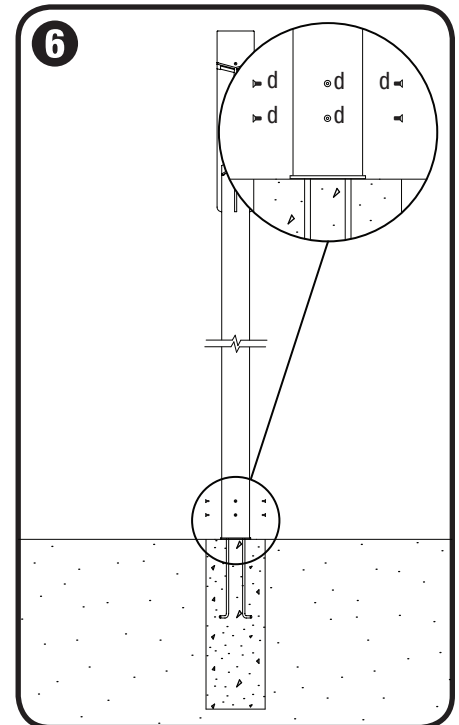
- Slide 1/2" washer (b), then thread 1/2"-13 nut (c) onto each J-bolt anchor.
- Use socket wrench and 3/4" socket to tighten all nuts until snug.



#### Slide pedestrian onto base plate

- Slide pedestrian over base plate and lower.

NOTE: Pedestrian must be supported until screws are attached and tightened in step 6.



#### Attach pedestrian to base plate

- Thread 5/16"-18 x 3/4" tamper-resistant flat head cap screw (d) into each hole.
- Use provided 3/16" hex bit for tamper-resistant screws to tighten all screws until snug.