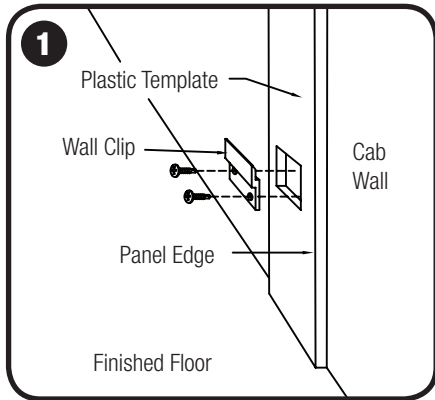


# LEVELc-2000N ELEVATOR INTERIORS

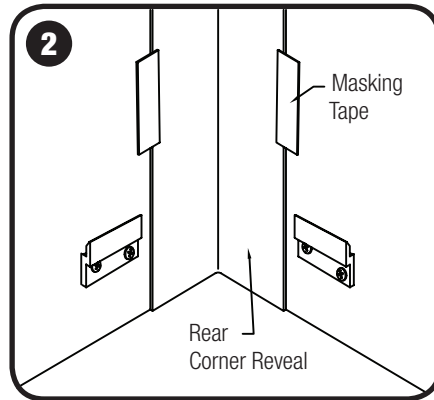
INSTALLATION INSTRUCTIONS

## STEP BY STEP



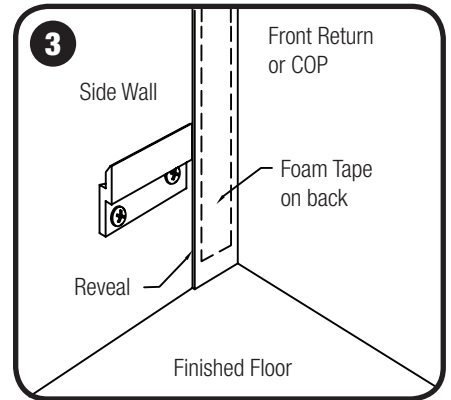
### Install Wall Clips.

- Use the provided template to install the Wall Clips. Refer to the drawings for panel locations.



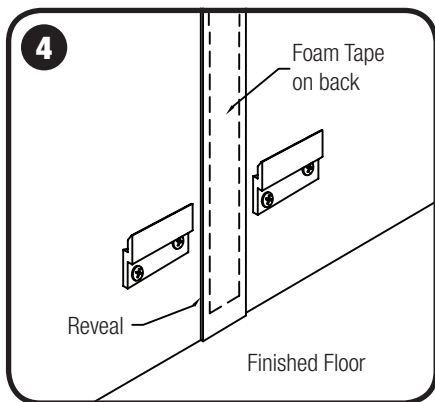
### Attach the Corner Reveals.

- Attach the Rear Corner Reveals with the provided construction cement, holding it in place with masking tape while it sets up.
- **Do not use all of the adhesive**, the remaining cement will be needed later to secure the panels.



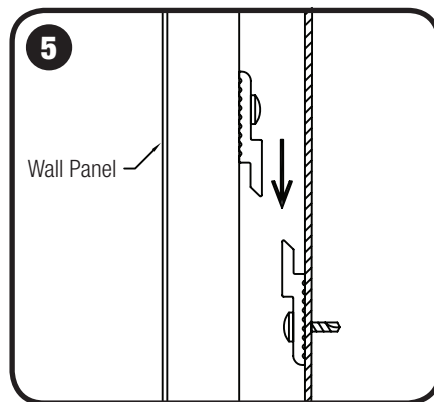
### Attach the Reveal Strips.

- The Reveal Strips can now be attached to the shell. Use the smaller strips for the front corners. These strips have factory applied foam tape for easy installation.



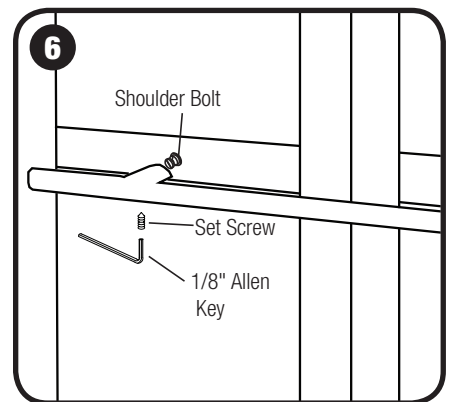
### Attach the Reveal Strips.

- Attach the Reveal Strips between the panels in the same manner. These strips should measure around 1-3/8" wide. Center them between the Panel Clips.



### Install and align Wall Panels.

- Remove the protective sheet on all of the Reveals. Lift the panels into place to check the alignment of the Wall Clips. Use a small amount of construction cement to secure the panels.



### Install Handrail (if applicable).

- Shoulder bolts will arrive pre-installed on wall panels. After panels are aligned, position the Handrail over the Shoulder Bolts.
- Secure the Handrail by tightening the set screw with the provided allen key.

**Note: If applicable, mimic step 6 for Crash Rail installation**