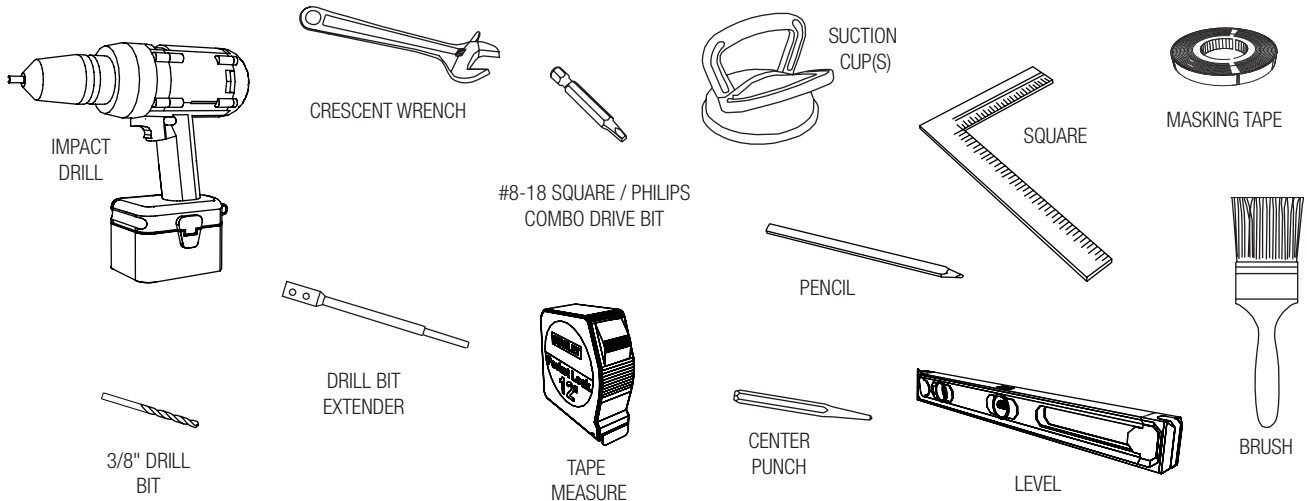


LEVELe® ELEVATOR INTERIORS WITH LIGHTPLANE

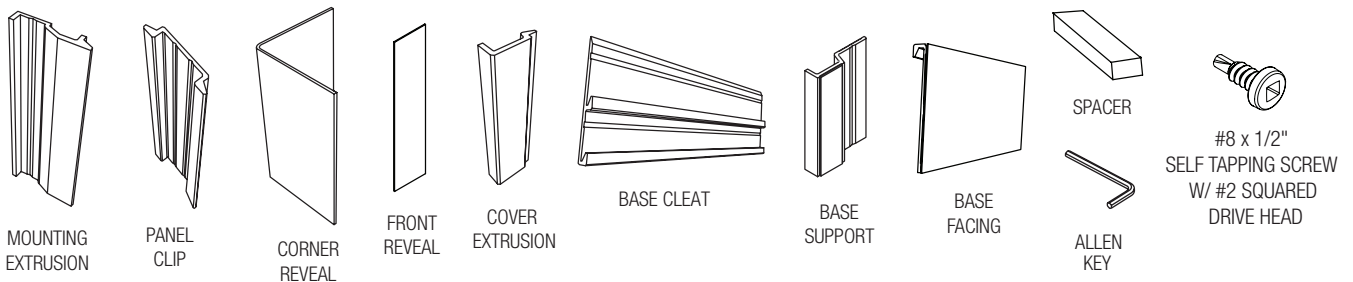
INSTALLATION INSTRUCTIONS

TOOLS NEEDED

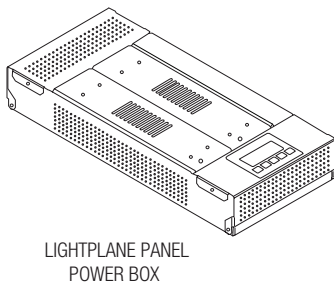


INCLUDED

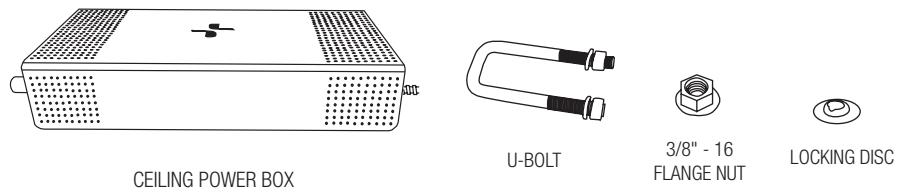
STANDARD LEVELe COMPONENTS



LIGHTPLANE COMPONENTS



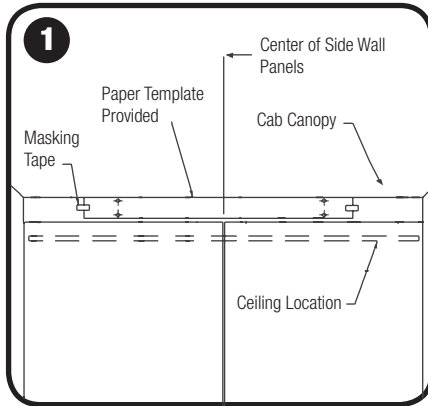
CEILING COMPONENTS



LEVELe® ELEVATOR INTERIORS WITH LIGHTPLANE

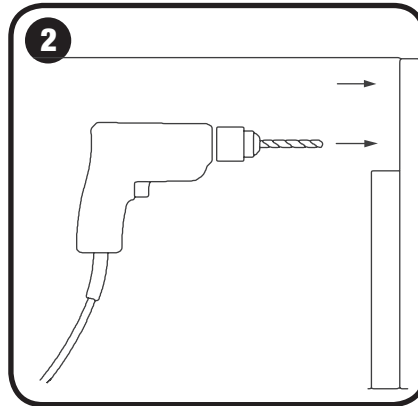
INSTALLATION INSTRUCTIONS

STEP BY STEP



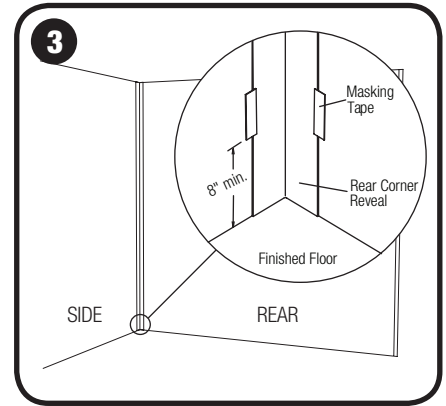
Temporarily attach provided paper template for ceiling installation.

- Center and level paper template on wall.
- Using center punch, mark holes as indicated on template.



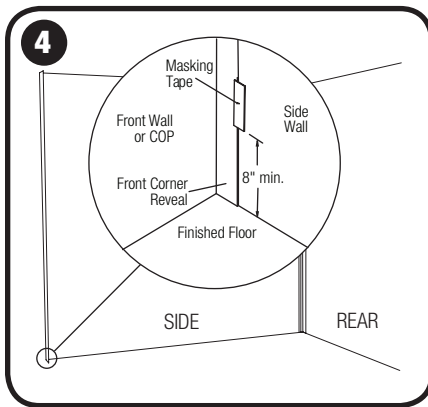
Drill holes to insert the U-bolts.

- Remove the template and drill eight 3/8" diameter holes into cab shell where marked with center punch.



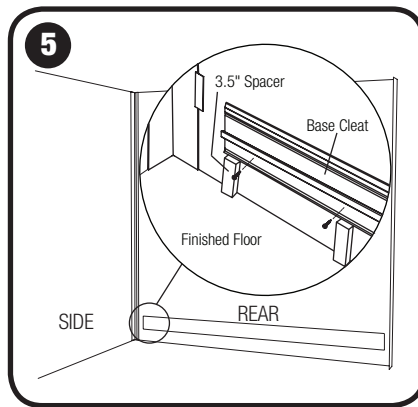
Install (2) Corner Reveals.

- Position Corner Reveals and hold them in place with masking tape.
- Cover no more than 1/8" of the reveal with tape.



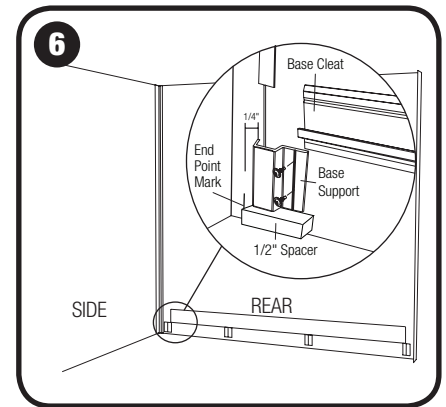
Install (2) Front Reveals.

- Position Front Reveals and install using factory installed VHB tape.
- Note: Detail is inside view of front corner.



Install Base Cleats.

- Using the provided 3.5" spacers for height, position the Base Cleat on the center of the rear wall.
- Ensure the Base Cleat is level before proceeding.
- Secure the Base Cleat with the provided self-drilling screws.
- Repeat for the remaining side walls.
- Note: The standard base height is 3.5".
- Custom-sized spacers will be provided for custom base heights. Please reference your shop drawings for proper installed height.

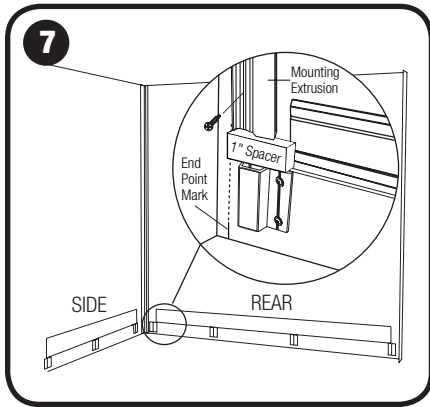


Install Base Supports.

- Determine the location of the left- and right-most Base Supports.
- Start at the center point of the cab wall, measure half the length of the Base Facing in each direction and mark the end points.
- Install the left- and right-most Base Supports approximately 1/4" from your markings and every 18" - 24" in between.
- Base Supports should be flush with the bottom of the Cleat.

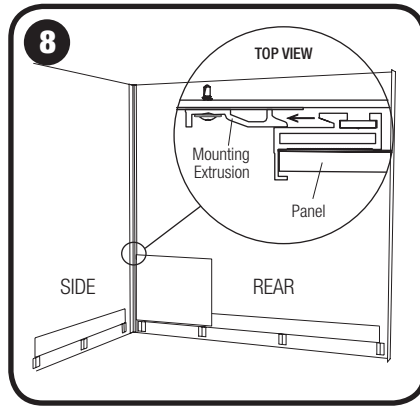
LEVELe® ELEVATOR INTERIORS WITH LIGHTPLANE

INSTALLATION INSTRUCTIONS



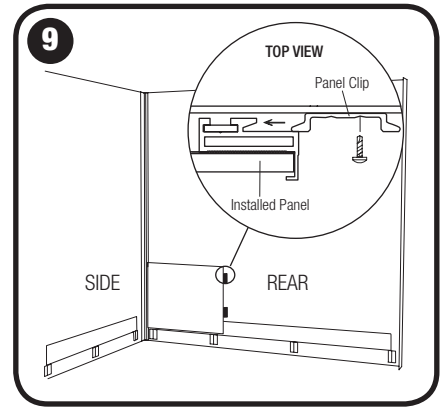
Install (1) Mounting Extrusion

- Align Mounting Extrusion vertically with the endpoint. Use the provided 1" spacer above the Base Support to set the Mounting Extrusion at the proper height.
- Be sure the mounting extrusion is square relative to the base.
- Attach using provided self-drilling screws.
- Install (1) Mounting Extrusion per side wall. If LightPlane Panels are adjacent to Mounting Extrusion, the extrusion will need to be cut to avoid damage to the exit wire(s).



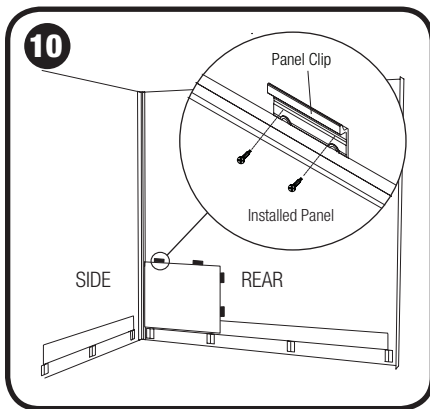
Install 1st Panel.

- Remove debris from Mounting Extrusion and Base Cleat with a brush prior to installation.
- The first panel will engage into the vertical Mounting Extrusion and Base Cleat.
- It is important that lower panels are installed straight and level, and engage fully with the mounting extrusion.



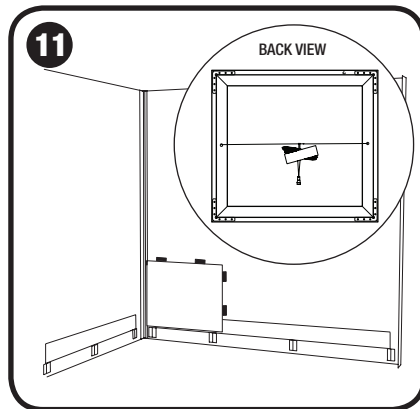
Attach side Panel Clips.

- Attach the clips as shown, using the provided self-drilling screws.
- One panel clip should be installed every 18-24" for proper alignment. Note: Detail is top view.



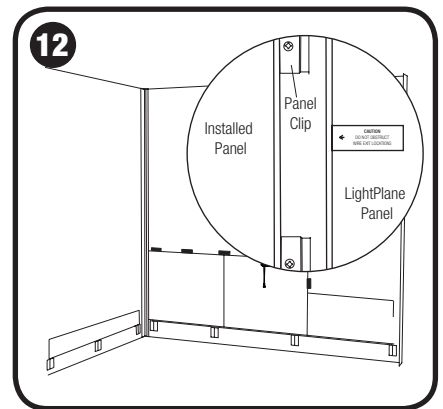
Install top Panel Clips.

- Attach the clips as shown, using the provided self-drilling screws.
- One panel clip should be installed every 18-24" for proper alignment.



Identify LightPlane Panel(s).

- LightPlane Panels will arrive with attached leads and quick connects zip tied on back side of panels.
- Cut zip ties and place leads on front of panel.
- LEVELe LightPlane Panels are installed using the same steps as LEVELe panels. LightPlane Panels have an attached, visible power lead.

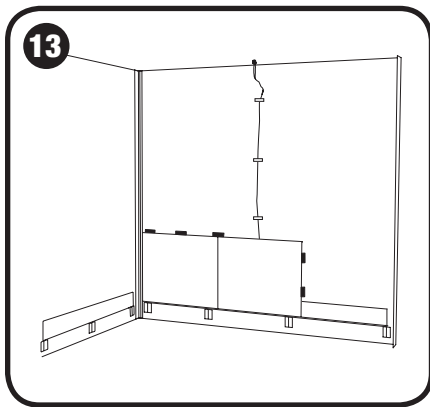


Install Panel Clips to side of panel.

- Attach the clips as shown, using the provided self-drilling screws.
- One panel clip should be installed every 18-24" for proper alignment, but panel clips should not obstruct wire exit locations, as indicated on LightPlane Panels.

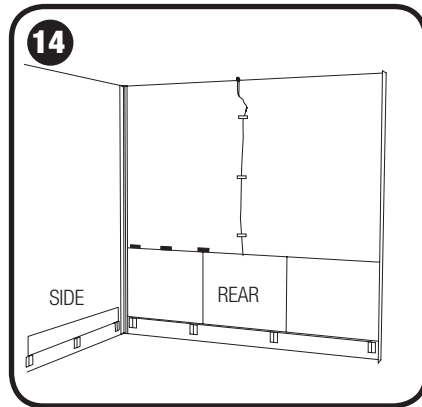
LEVELe® ELEVATOR INTERIORS WITH LIGHTPLANE

INSTALLATION INSTRUCTIONS



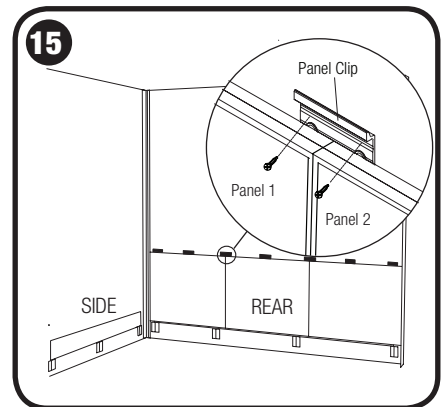
Attach lead to elevator interior wall.

- Attach the lead(s) to the wall with masking tape.
- There will be enough lead for the quick connect to reach the cab shell ceiling. The lead will run through the milled slot in the frame.



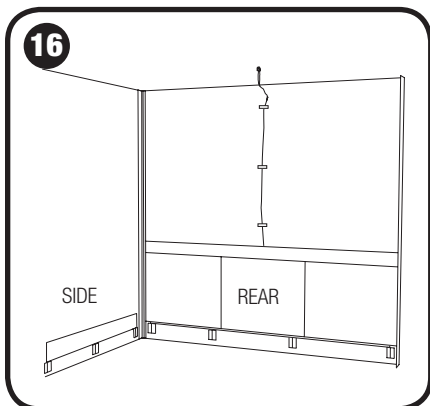
Install next Panel in sequence.

- Using the installation sequence document provided with your elevator interiors, install panels in the order indicated using the method described in steps 8-10.
- Panels must engage fully with Hanging Clips and Panel Clips.
- Debris in the Hanging Clips, Mounting Extrusion or Panel Clips will prevent the panel from engaging fully.



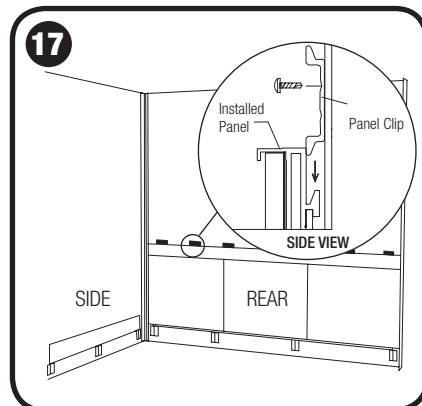
Repeat steps 8-10 as required.

- No side Panel Clips are installed for last panel of row.
- At any point where two panels meet, Panel Clips should cross over both panels, as seen above, to ensure ideal panel alignment.



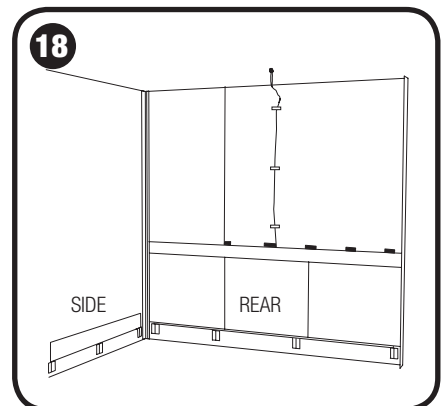
Install Handrail Panel.

- Configurations with a handrail panel come with handrails factory installed on a single panel.
- For configurations in which handrails must span multiple panels, shoulder bolts will be installed. Once all panels are installed, slide handrail onto shoulder bolts and tighten underside set screws with provided allen key.



Install top Panel Clips.

- Attach the clips as shown, using the provided self-drilling screws.
- One panel clip should be installed every 18-24" for proper alignment.

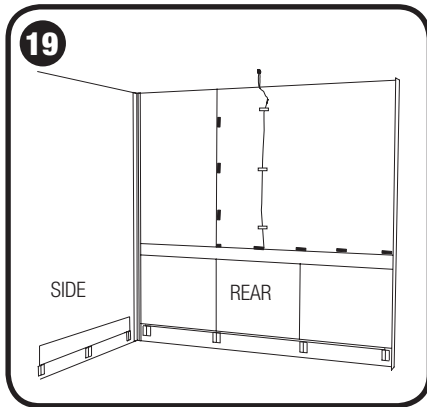


Continue to Install Panels in sequence.

- Rest the first upper panel on the Panel Clips to position the first upper panel over the Handrail Panel. Refer to step 8 for detail.

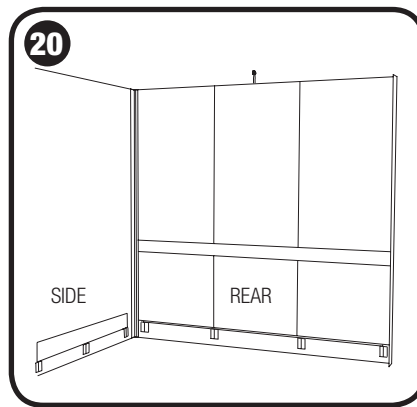
LEVELe® ELEVATOR INTERIORS WITH LIGHTPLANE

INSTALLATION INSTRUCTIONS



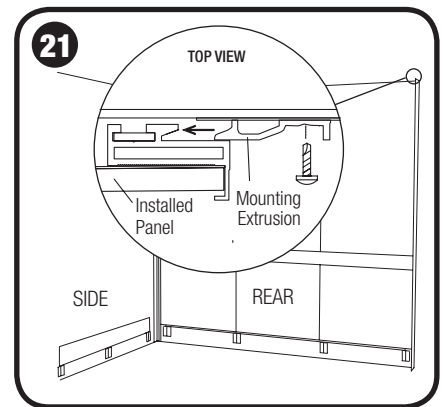
Install Panel Clips.

- Attach the clips as shown, using the provided self-drilling screws. See step 9 for detail.
- One panel clip should be installed every 18-24" for proper alignment.



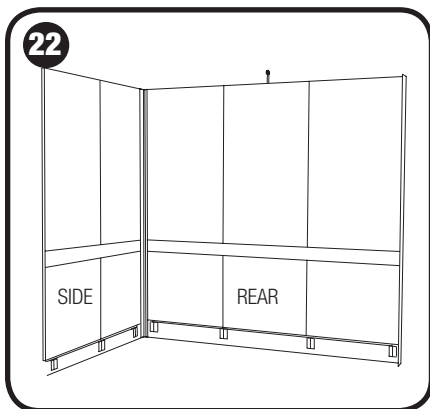
Repeat steps 18-19 as required.

- No side Panel Clips are installed for last panel in row.



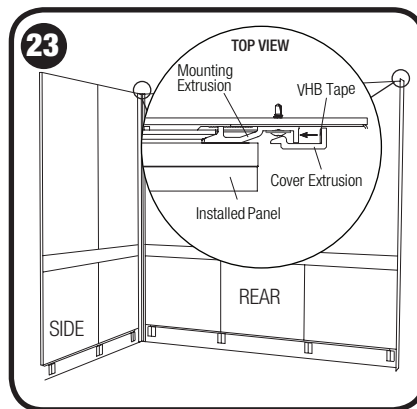
Install (1) Mounting Extrusion on remaining side of rear wall.

- Position Mounting Extrusion and attach using provided self-drilling screws.
- If LightPlane Panels are adjacent to Mounting Extrusion, the extrusion will need to be cut to avoid damage to the exit wire(s).
- Mounting Extrusion must engage fully with panels.



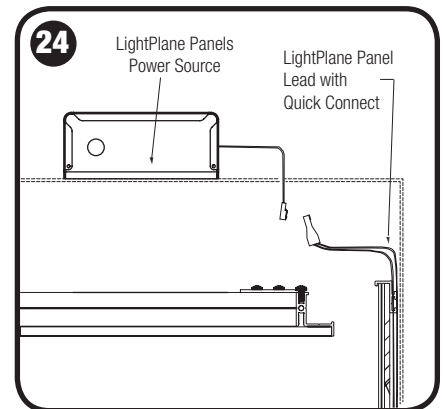
Repeat steps 5-21 for remaining walls.

- Install all panels for remaining walls as indicated in previous steps.



Install (2) Cover Extrusions on each wall.

- Cover the screws and Mounting Extrusion with the Cover Extrusion provided.
- The Cover Extrusion is backed with factory supplied foam tape.

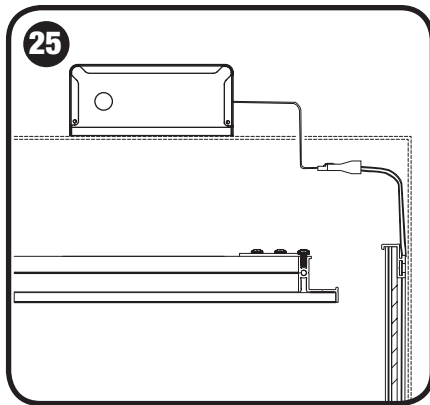


Secure LightPlane Panel power source to cab shell ceiling.

- Mount the LightPlane Panel power box securely to the cab shell ceiling.
- The LightPlane Panel leads will be fed through an opening in the cab shell ceiling.

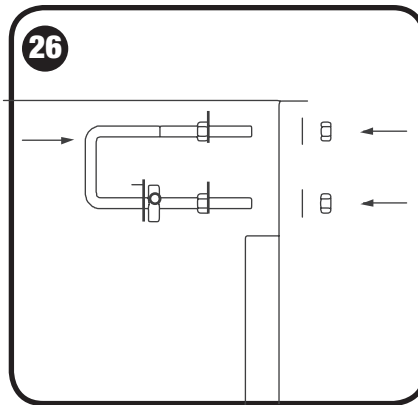
LEVELe® ELEVATOR INTERIORS WITH LIGHTPLANE

INSTALLATION INSTRUCTIONS



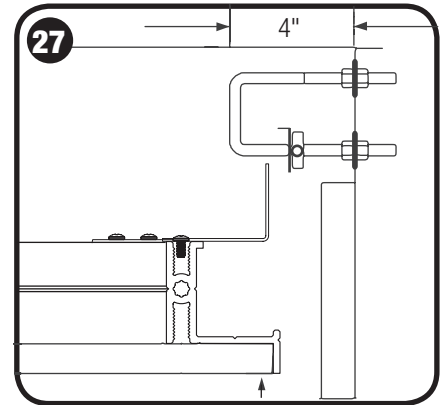
Connect power source to LightPlane panel lead(s).

- Using the quick connects, attach the LightPlane Panel leads to the power box leads.
- Adjust the LightPlane Panel potentiometer to desired brightness prior to installing the ceiling.
- Secure excess lead to ceiling to keep it out of view.



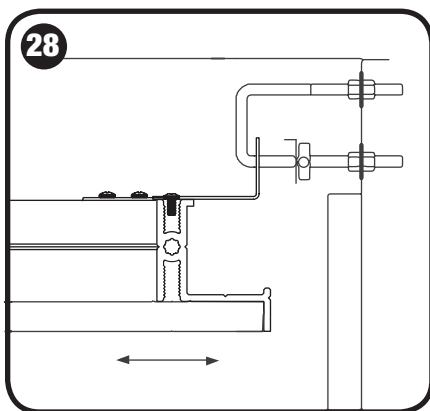
Attach U-bolts to elevator shell.

- Attach U-Bolt using provided retainer clip, washers and 3/8" - 16 flange nut.



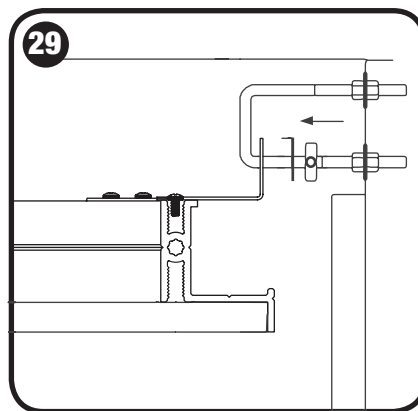
Hang ceiling from U-bolts.

- Lift ceiling, engaging U-Bolts into hanging clip on ceiling.



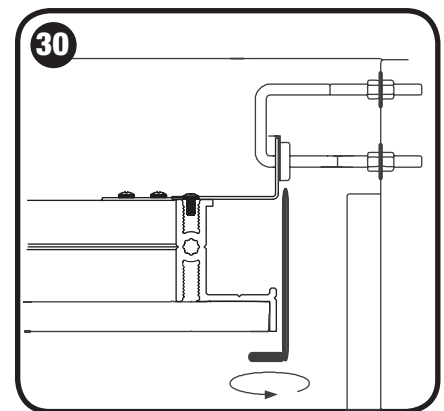
Adjust the position of the ceiling.

- Slide ceiling to center between wall panels.



Position retainer and locking disc.

- Slide retainer and locking disk against bracket.

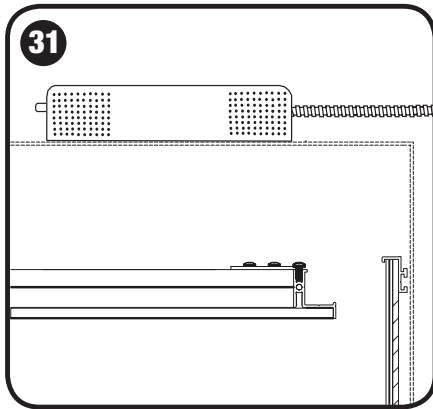


Secure elevator ceiling.

- Tighten set screw in locking disk with provided allen key to secure the ceiling in place.

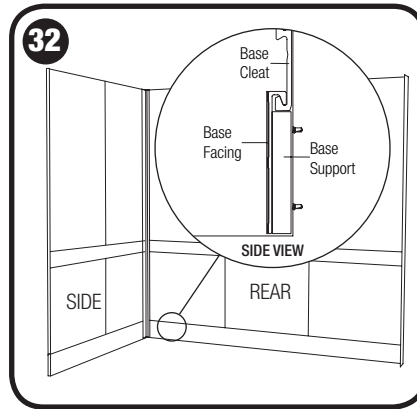
LEVELe® ELEVATOR INTERIORS WITH LIGHTPLANE

INSTALLATION INSTRUCTIONS



Connect Ceiling Power Box to local power.

- Remove the cover from the power box.
- Insert the local power supply conduit into the power box opening.
- Secure the ground wire to the junction point.
- Return the cover to the power box and secure with provided screws.
- Remove the backer from the factory-installed VHB tape on the bottom of the power box, and secure it to the cab ceiling.



Install Base Facing.

- Complete the installation by installing the bases.
- Remove backer from VHB tape on Base Supports.
- The Base Facing will engage with the previously installed Base Cleat. Center Base Facing, aligning with end point markings.
- Press firmly to secure Base Facing to VHB tape on Base Supports.