

LIGHT COLUMN BOLLARD

SECURITY CORE INSTALLATION INSTRUCTIONS

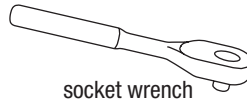
MATERIALS INCLUDED



TOOLS NEEDED



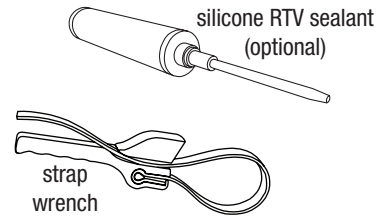
masking tape



socket wrench



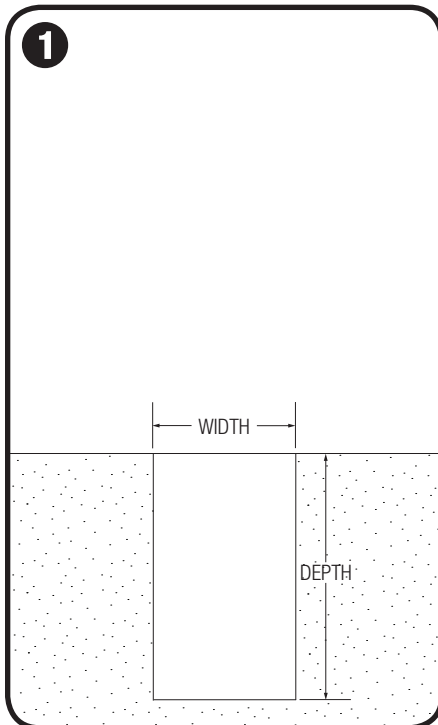
3/4" socket



silicone RTV sealant
(optional)

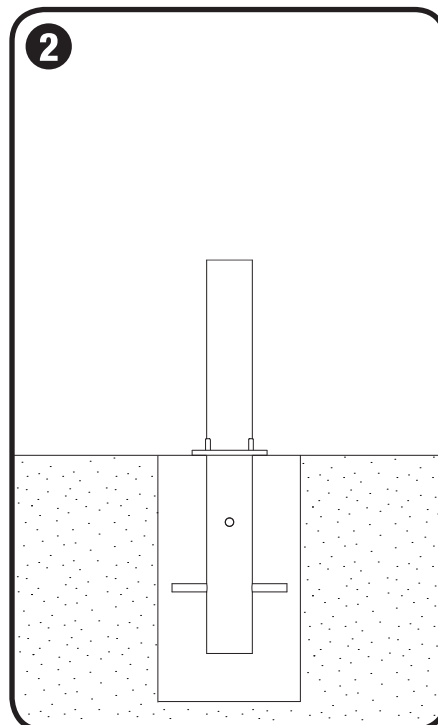
strap
wrench

STEP BY STEP FOR ALL LIGHT COLUMN BOLLARDS WITH SECURITY CORES



1 Create space for footer

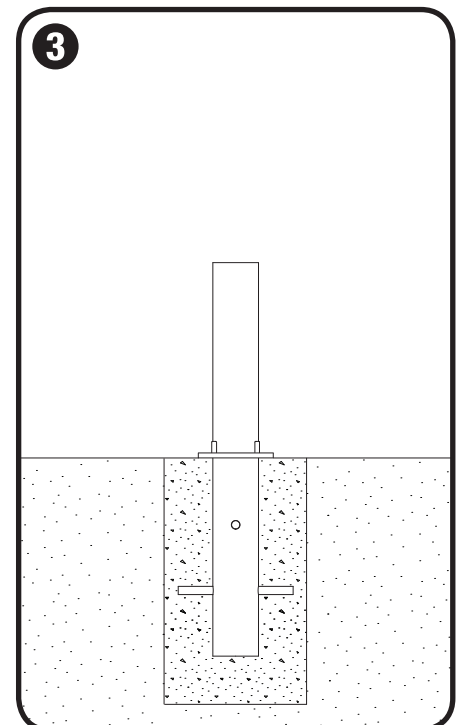
- A sufficient footer size depends on frost and other conditions to be determined by the installer. A minimum of an 18" x 18" wide x 30" deep footer is recommended.



2 Position and support security core

- Position security core in desired final location and support so concrete can be poured in hole around security core.
- The bottom of the base plate should be level with the ground surface.

NOTE: The security core also serves as a conduit path.



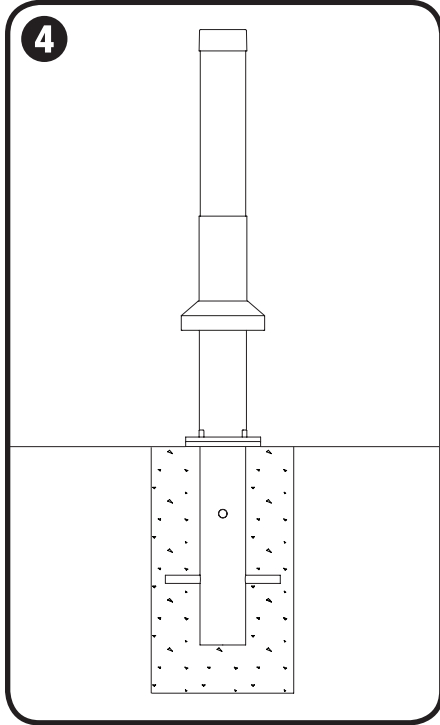
3 Pour concrete footer

- Mix concrete and pour footer according to concrete manufacturer's instructions.
 - As soon as footer is poured, verify levelness.
 - Allow concrete to cure completely according to concrete manufacturer's instructions before removing any temporary supports or installing fixture.
- NOTE: Security core will need to be free of moisture prior to fixture installation.

LIGHT COLUMN BOLLARD

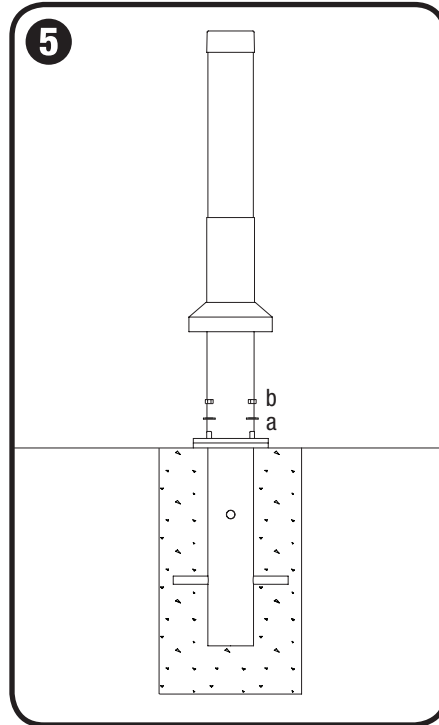
SECURITY CORE INSTALLATION INSTRUCTIONS

STEP BY STEP FOR ALL LIGHT COLUMN BOLLARDS WITH SECURITY CORES



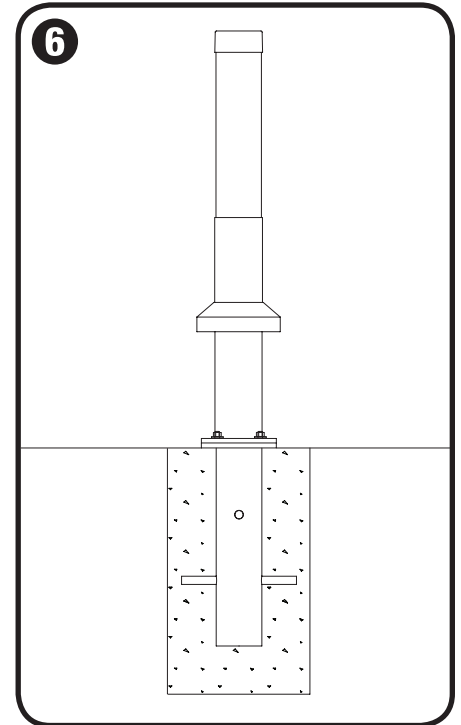
Position bollard over security core

- Inspect security core for moisture. If moisture is present remove and dry immediately before installing fixture. Do not install fixture unless security core is completely dry.
- Slide bollard over security core so threaded pegs slide through holes in bollard base plate.
- Carefully use masking tape to tape escutcheon cover further up the body until installation is complete.



Attach bollard to security core

- Slide 1/2" washer (a), then thread 1/2"-13 nut (b) onto each threaded peg.



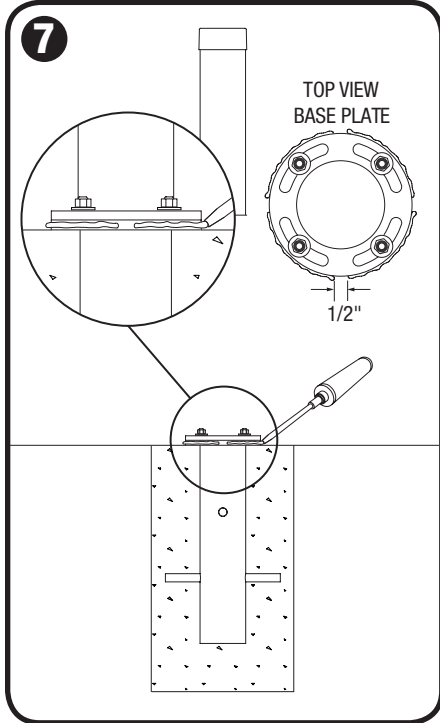
Tighten nuts

- Use 3/4" socket and socket wrench to tighten all nuts until snug.

LIGHT COLUMN BOLLARD

SECURITY CORE INSTALLATION INSTRUCTIONS

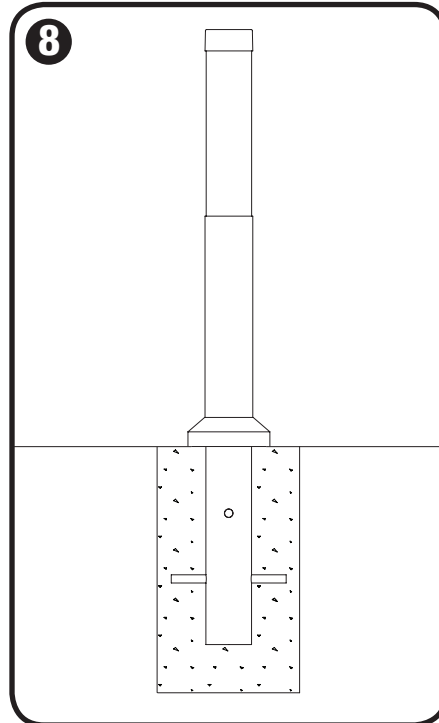
STEP BY STEP FOR ALL LIGHT COLUMN BOLLARDS WITH SECURITY CORES



Apply sealant to permanently attach escutcheon cover (optional)

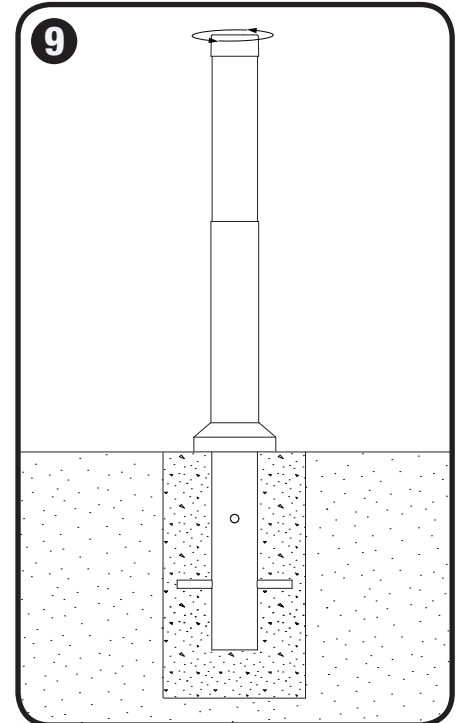
- Apply a thick bead of silicone RTV sealant around the vertical edge of the base plate.

NOTE: Leave four 1/2" gaps to allow for water drainage.



Lower escutcheon cover

- Lower escutcheon cover to ground level and wipe away any excess sealant.



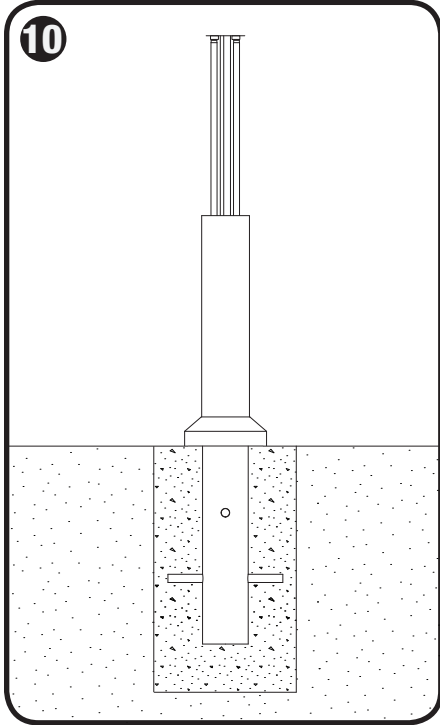
Remove top cap and lens

- Use strap wrench to unscrew stainless steel top cap by turning counterclockwise.
- Remove top cap and lens.

LIGHT COLUMN BOLLARD

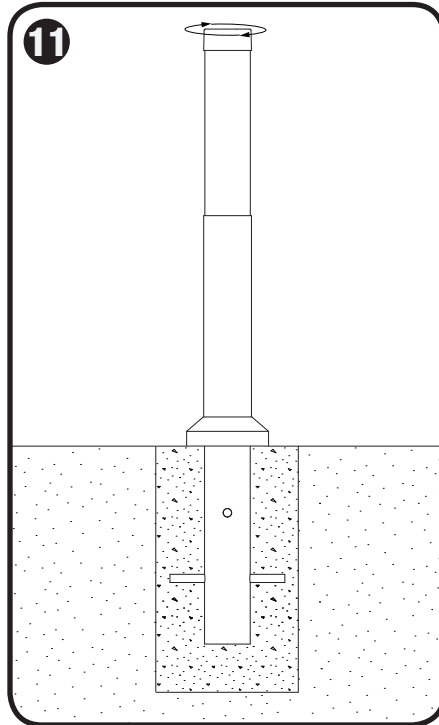
SECURITY CORE INSTALLATION INSTRUCTIONS

STEP BY STEP FOR ALL LIGHT COLUMN BOLLARDS WITH SECURITY CORES



Insert lamps

- Insert or replace lamps.



Replace lens and top cap

- Replace lens.
- Place stainless steel top cap on top of bollard and twist clockwise. Tighten with strap wrench.