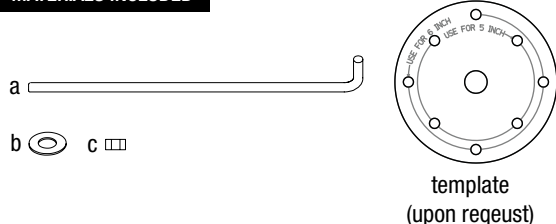

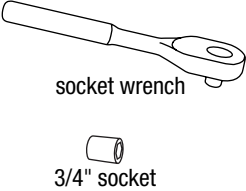
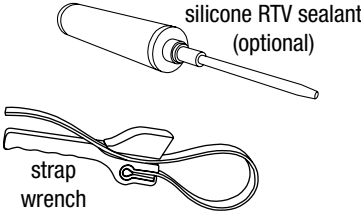
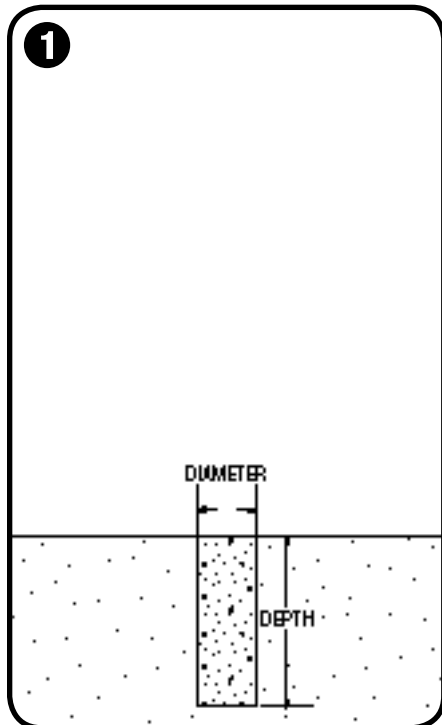


LIGHT COLUMN PEDESTRIAN

SURFACE MOUNT INSTALLATION INSTRUCTIONS

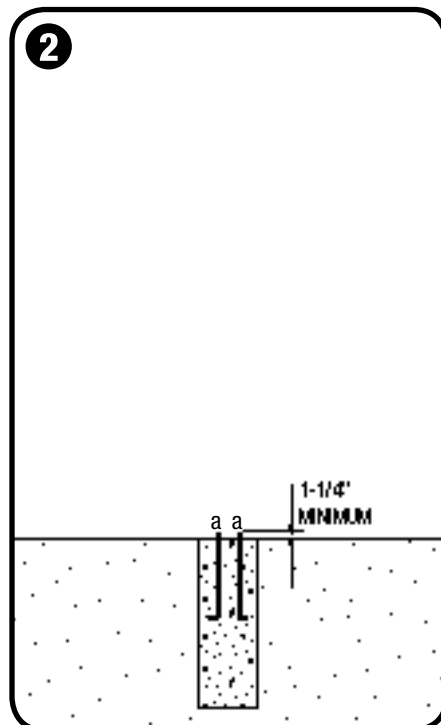
MATERIALS INCLUDED		TOOLS NEEDED		
 <p>a</p> <p>b c</p> <p>template (upon request)</p>	 <p>masking tape</p>	 <p>socket wrench</p> <p>3/4" socket</p>	 <p>silicone RTV sealant (optional)</p> <p>strap wrench</p>	

STEP BY STEP FOR ALL LIGHT COLUMN PEDESTRIAN LIGHTING



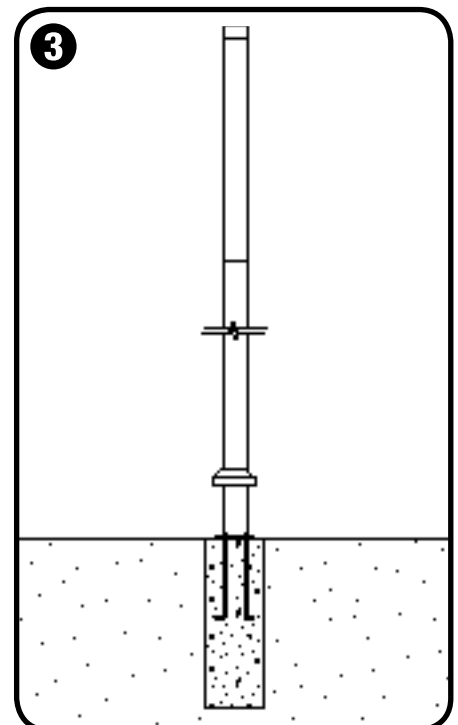
Pour concrete footer

- Mix and pour concrete footer according to concrete manufacturer's instructions.
- A sufficient footer size depends on frost and other conditions to be determined by the installer.
- A minimum of a 12" diameter x 20" deep footer is recommended for Series 500 pedestrians; minimum of a 13" diameter x 20" deep footer is recommended for Series 600 pedestrians.



Insert J-bolt anchors

- Insert 1/2"-13 x 18" galvanized steel J-bolt anchors (a) into concrete.
- Use template (included) to position J-bolt anchors in proper locations. Tops of J-bolt anchors must be a minimum of 1-1/4" above concrete surface.
- Allow concrete to set completely, in accordance with concrete manufacturer's instructions, before moving to step 3.



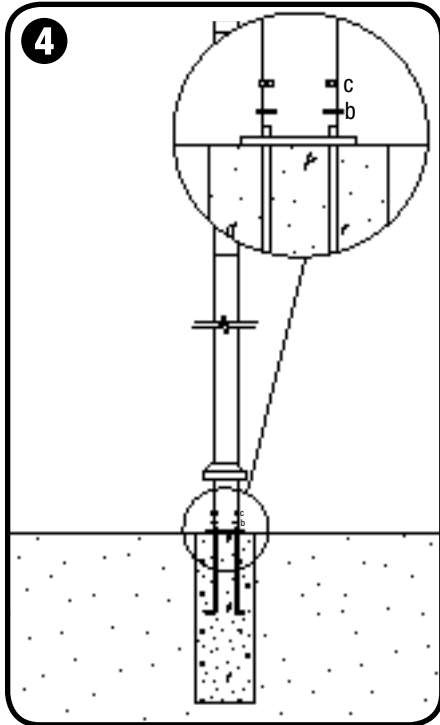
Slide pedestrian onto J-bolt anchors

- Slide pedestrian base plate over J-bolt anchors and lower pedestrian to concrete level.
 - Carefully use masking tape to tape escutcheon cover further up the body until installation is complete.
- NOTE: Pedestrian must be supported until screws are attached and tightened in steps 4 and 5.

LIGHT COLUMN PEDESTRIAN

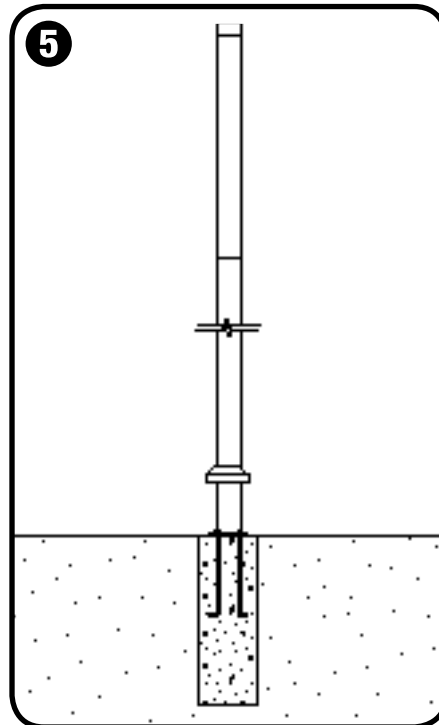
SURFACE MOUNT INSTALLATION INSTRUCTIONS

STEP BY STEP FOR ALL LIGHT COLUMN PEDESTRIAN LIGHTING



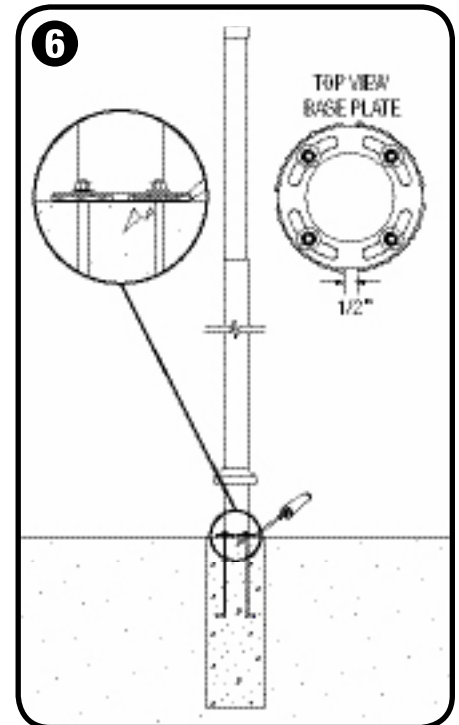
Attach pedestrian

- Slide 1/2" washer (b), then thread 1/2"-13 nut (c) onto each J-bolt anchor.



Tighten nuts

- Use 3/4" socket and socket wrench to tighten all nuts until snug.



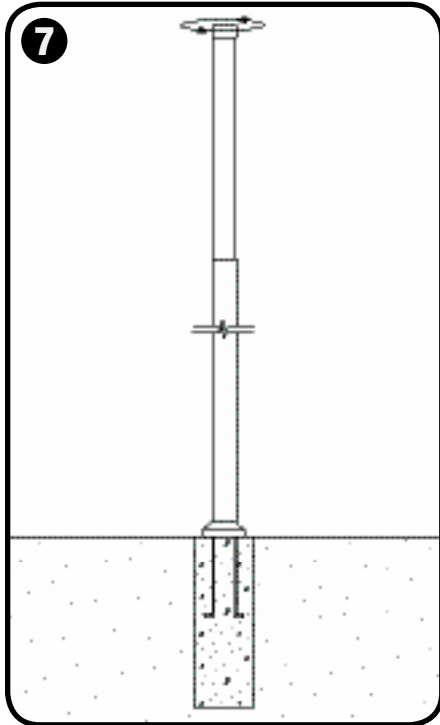
Attach escutcheon cover (optional)

- Apply a thick bead of silicone RTV sealant around the vertical edge of the base plate.
NOTE: Leave four 1/2" gaps to allow for water drainage.
- Lower escutcheon cover to ground level and wipe away any excess sealant.

LIGHT COLUMN PEDESTRIAN

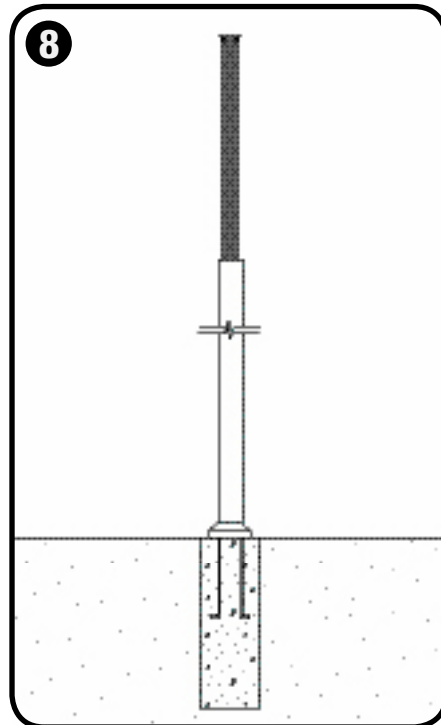
SURFACE MOUNT INSTALLATION INSTRUCTIONS

STEP BY STEP FOR ALL LIGHT COLUMN PEDESTRIAN LIGHTING



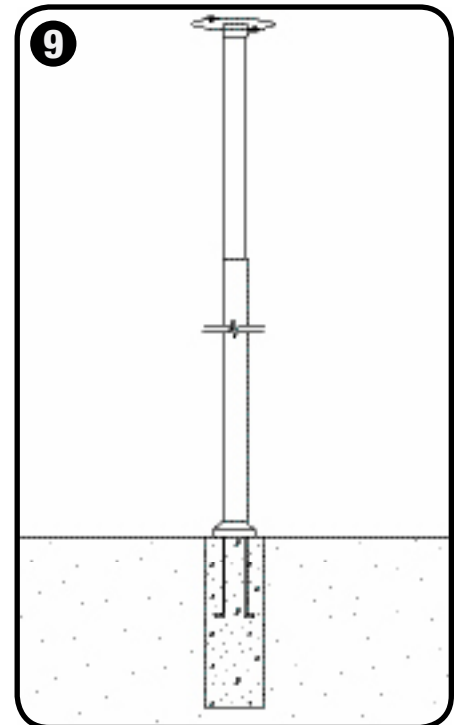
Remove top cap and lens

- Use strap wrench to unscrew stainless steel top cap by turning counterclockwise.
- Remove top cap and lens.



Insert lamps

- Insert or replace lamps.



Replace lens and top cap

- Replace lens.
- Place stainless steel top cap on top of pedestrian and twist clockwise. Tighten with strap wrench.