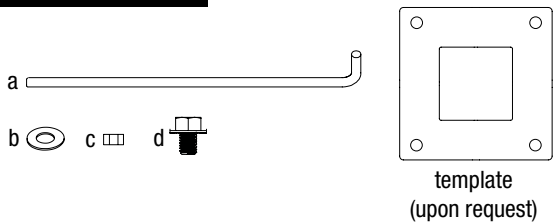


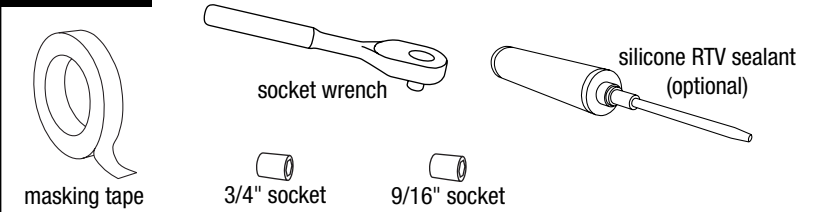
RINCON PEDESTRIAN

SURFACE MOUNT INSTALLATION INSTRUCTIONS

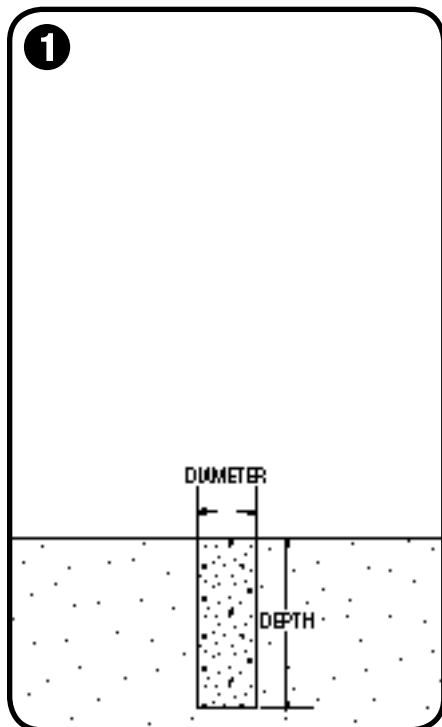
MATERIALS INCLUDED



TOOLS NEEDED

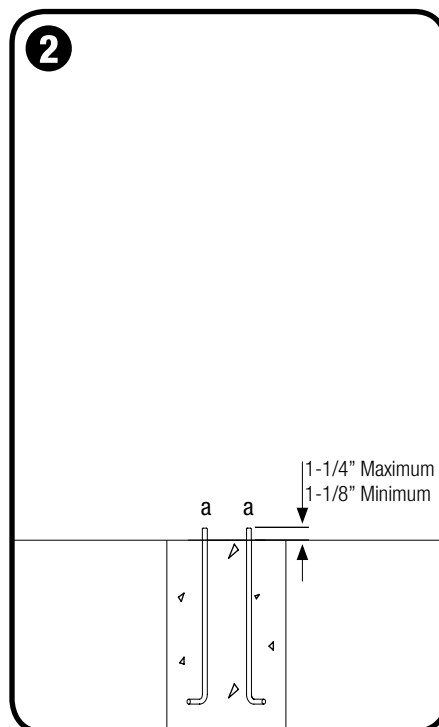


STEP BY STEP FOR ALL RINCON PEDESTRIAN LIGHTING



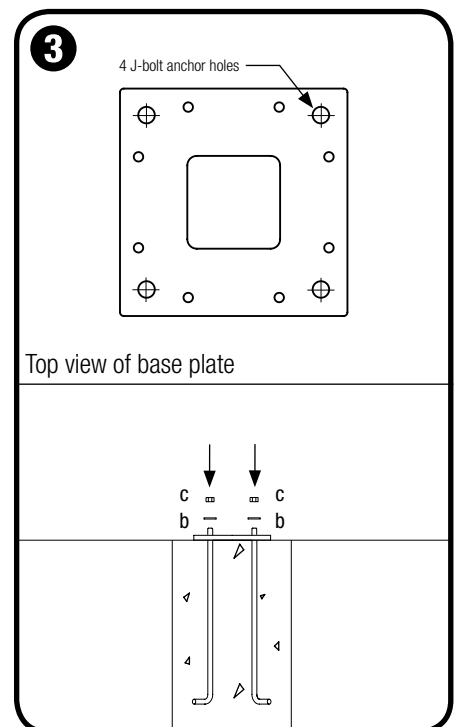
Pour concrete footer

- Mix and pour concrete footer according to concrete manufacturer's instructions.
- A sufficient footer size depends on frost and other conditions to be determined by the installer.
- A minimum of a 13" diameter x 20" deep footer is recommended for the Rincon Pedestrian.



Insert J-bolt anchors

- Insert 1/2"-13 x 18" galvanized steel J-bolt anchors (a) into concrete.
- Use template (included) to position J-bolt anchors in proper locations. Tops of J-bolt anchors must be a maximum (optional) of 1-1/4" and minimum of 1-1/8" above concrete surface.
- Allow concrete to set completely, in accordance with concrete manufacturer's instructions, before moving to step 3.



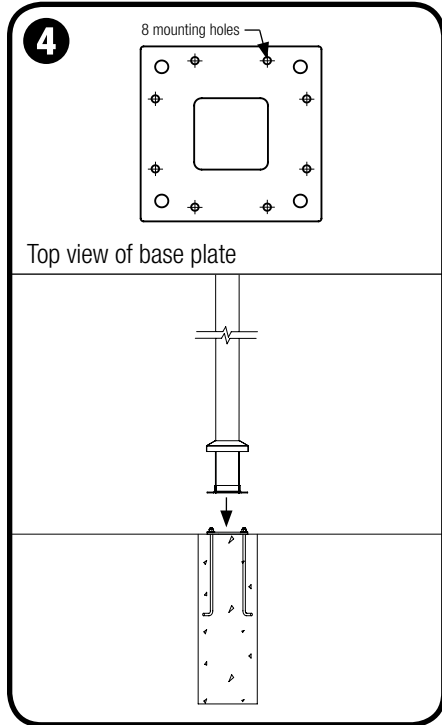
Mount base plate onto J-bolt anchors

- Put base plate over J-bolt anchors.
- Slide 1/2" washer (b), then thread 1/2"-13 nut (c) onto each J-bolt anchor.
- Use 3/4" socket and socket wrench to tighten all nuts until snug.

RINCON PEDESTRIAN

SURFACE MOUNT INSTALLATION INSTRUCTIONS

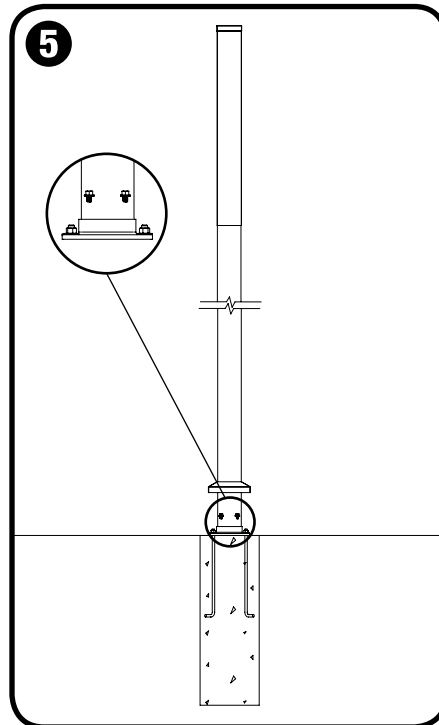
STEP BY STEP FOR ALL RINCON PEDESTRIAN LIGHTING



Align pedestrian to base plate

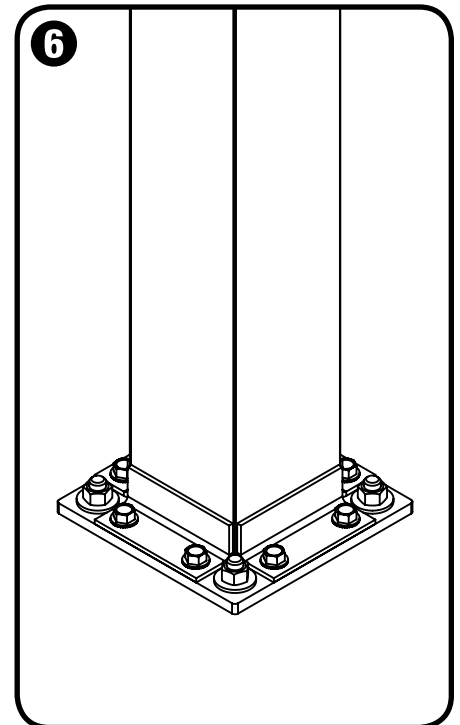
- Place pedestrian onto base plate; align the mounting holes. Continue to support the pedestrian until fully mounted to the base plate.
- Carefully use masking tape to tape escutcheon cover further up the body until installation is complete.

NOTE: Do not remove protective plastic on lower half of pedestrian until installation is complete.



Attach pedestrian

- Insert 3/8" - 16 x 1/2" flange head cap screws (d) into mounting holes.
- Use 9/16" socket and socket wrench to tighten all screws until snug.

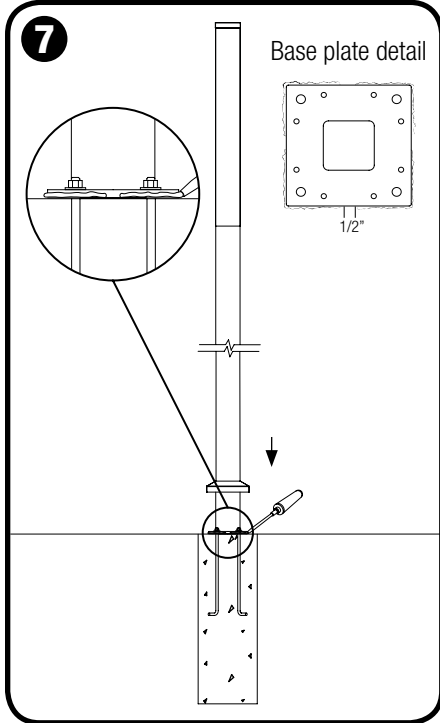


Secure pedestrian

- The pedestrian is now secured to the base plate.

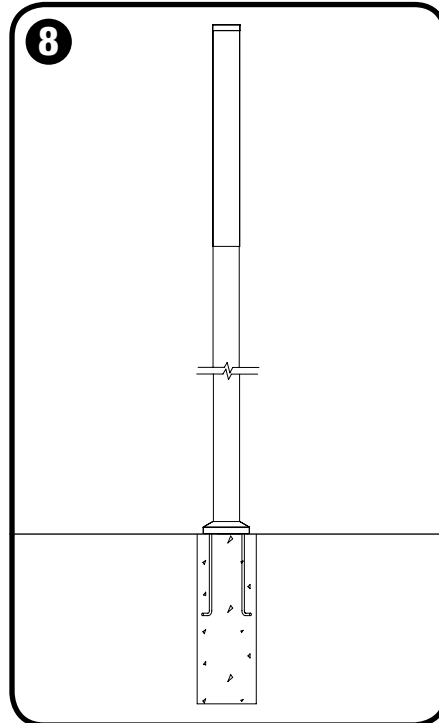
RINCON PEDESTAL

STEP BY STEP FOR ALL RINCON PEDESTAL LIGHTING



Attach escutcheon cover

- Apply a thick bead of silicone RTV sealant around the vertical edge of the base plate. Leave four 1/2" gaps to allow for water drainage.
- Carefully lower escutcheon cover to ground level and wipe away any excess sealant.



Surface mount installation complete