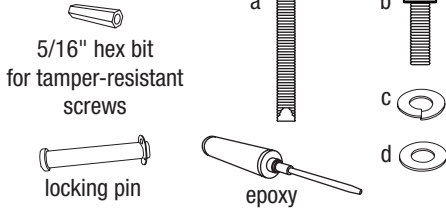


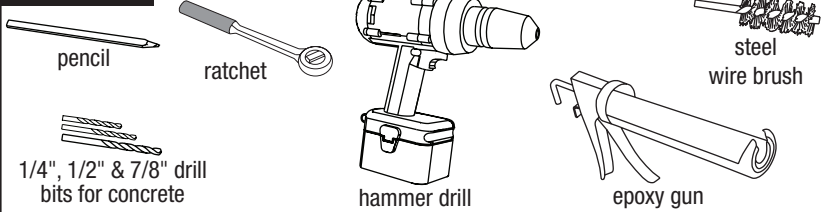
# SOLERIS™ SUNSHADE

## SURFACE MOUNT WITH APEX TABLE ENSEMBLE INSTALLATION INSTRUCTIONS

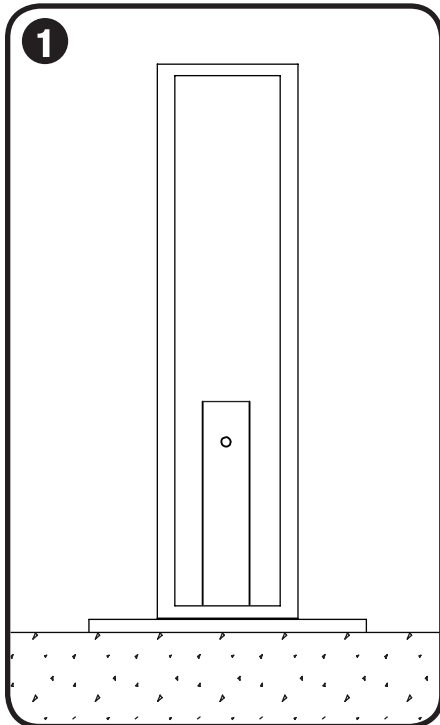
### MATERIALS INCLUDED



### TOOLS NEEDED

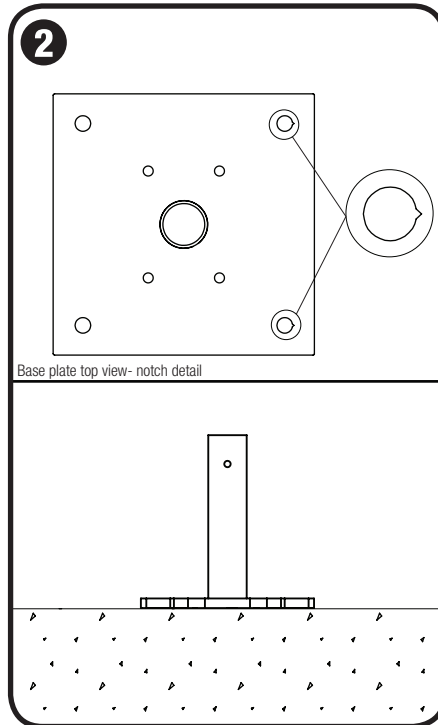


### STEP BY STEP FOR SOLERIS SUNSHADE USED WITH APEX TABLE ENSEMBLE



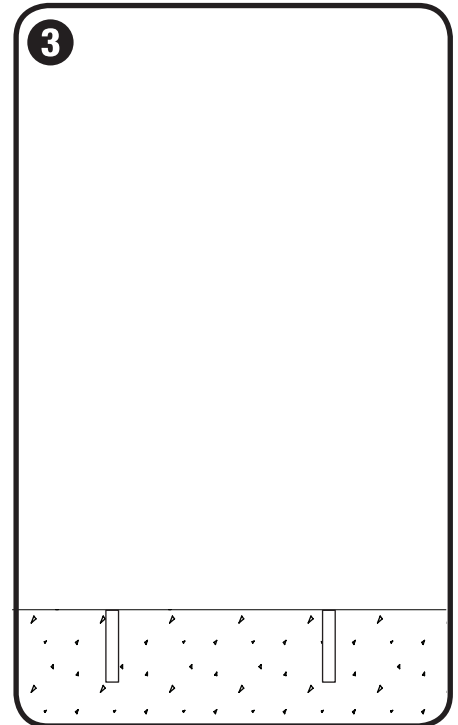
#### Test fit table column with base plate

- Align table column to base plate mounting holes before mounting base plate; the bolt pattern is not square.



#### Mark hole locations

- Place the sunshade base plate in desired location. Mark center of each hole location with a pencil. Mounting holes are located on the sunshade's base plate.
- To show multiple Soleris Sunshades in the same orientation, align the notch on the base plates (detail above) in the same direction.



#### Drill holes

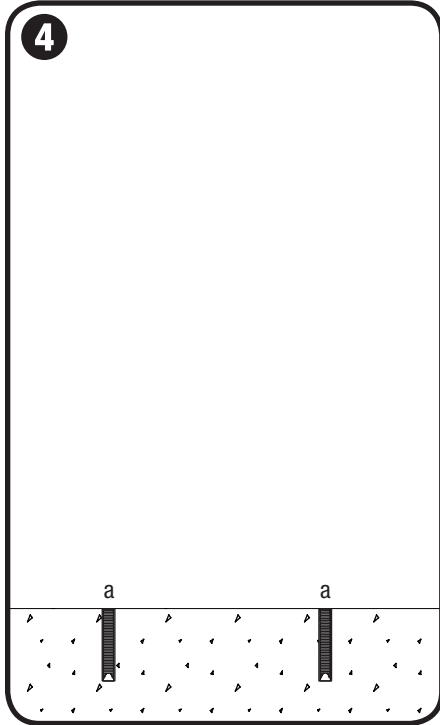
- Use hammer drill to drill 5" deep x 7/8" diameter anchor holes at each marked location using a 7/8" drill bit suitable for concrete drilling.

NOTE: Forms+Surfaces recommends starting holes with 1/4" diameter drill bit followed by 1/2" and finally 7/8" for maximum accuracy.

# SOLERIS™ SUNSHADE

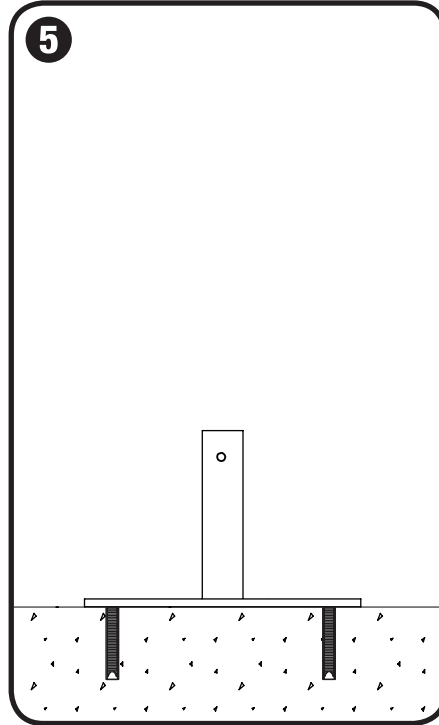
## SURFACE MOUNT WITH APEX TABLE ENSEMBLE INSTALLATION INSTRUCTIONS

### STEP BY STEP FOR SOLERIS SUNSHADE USED WITH APEX TABLE ENSEMBLE



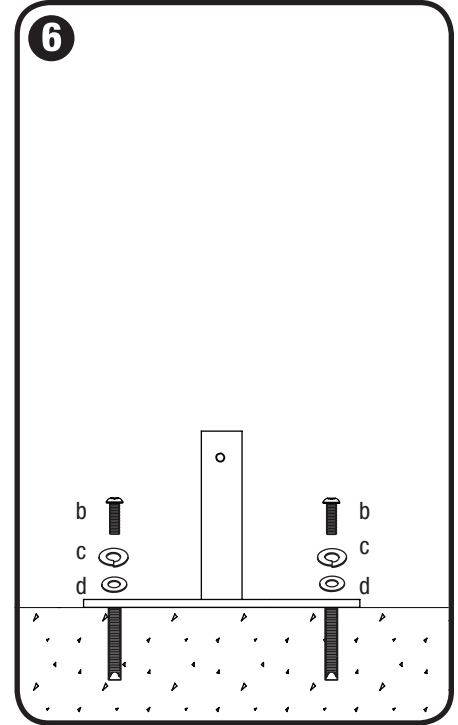
#### Fill holes & insert anchors

- Use compressed air and steel wire brush to clean each anchor hole in accordance with epoxy instructions.
- Use epoxy in epoxy gun to fill each anchor hole 5/8" of the hole depth in accordance with epoxy instructions.
- Insert 1/2"-13 x 5" epoxy anchor (a) into each anchor hole so anchor top is flush with ground. Allow proper curing time according to cure schedule on epoxy instructions before moving on to the next step.



#### Position baseplate

- Position baseplate so that mounting holes line up with anchors.



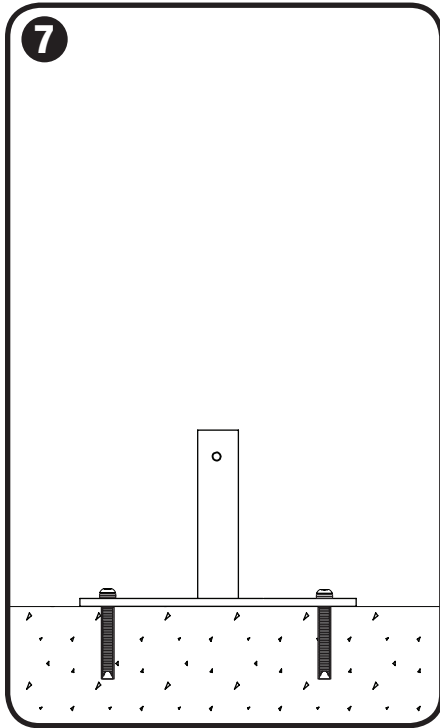
#### Attach baseplate

- Slide 1/2" stainless steel lock washer (c), and 1/2" stainless steel flat washer (d), onto each 1/2"-13 x 1.5" tamper-resistant button head cap screw (b).
- Insert screws into mounting holes in the sunshade's base plate and thread into anchors using provided 5/16" hex bit for tamper-resistant screws.

# SOLERIS™ SUNSHADE

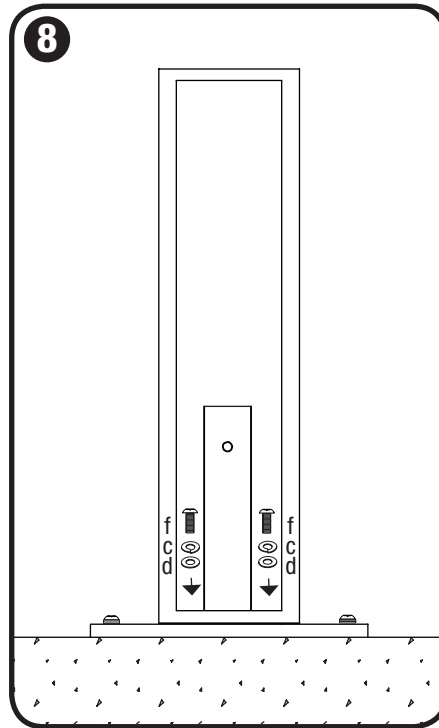
SURFACE MOUNT WITH APEX TABLE ENSEMBLE INSTALLATION INSTRUCTIONS

## STEP BY STEP FOR SOLERIS SUNSHADE USED WITH APEX TABLE ENSEMBLE



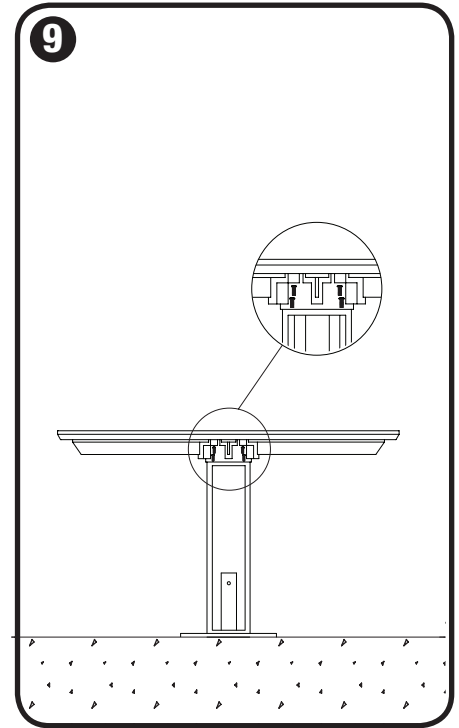
### Tighten screws

- Tighten screws until snug.



### Attach table column to base plate

- Slide 1/2" stainless steel lock washer (c), and 1/2" stainless steel flat washer (d), onto each 1/2"-13 x 1.25" tamper-resistant button head cap screw (f).
- Insert screws into mounting holes in the table column and thread into anchors using provided 5/16" hex bit for tamper-resistant screws.



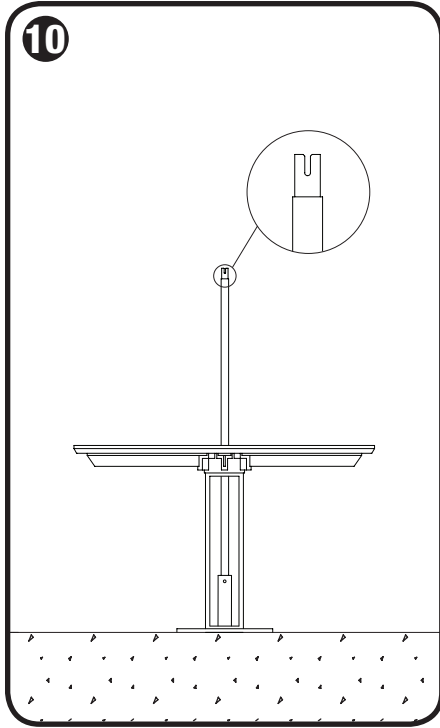
### Attach table top to table column

- Use 7/32" Allen wrench to attach table top to table column using four (4) 3/8"-16 x 1" button head cap screws (e).
- NOTE: Table top must be supported during this step.

# SOLERIS™ SUNSHADE

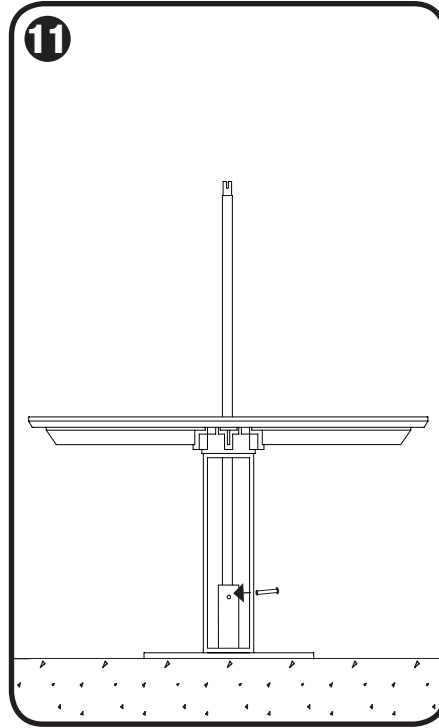
SURFACE MOUNT WITH APEX TABLE ENSEMBLE INSTALLATION INSTRUCTIONS

## STEP BY STEP FOR SOLERIS SUNSHADE USED WITH APEX TABLE ENSEMBLE



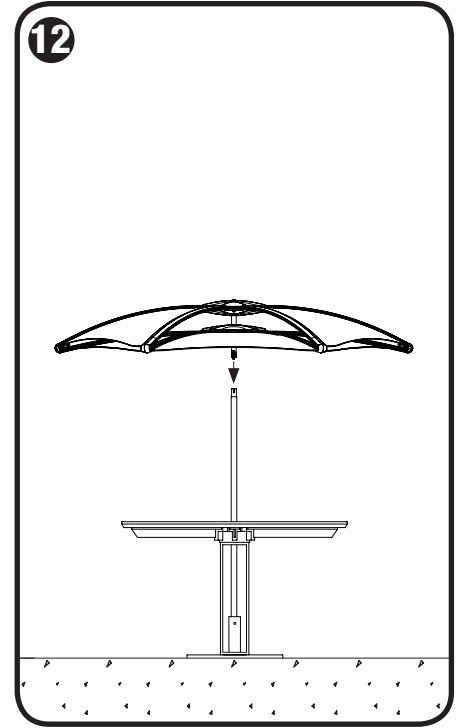
### Put sunshade pole into the mounting pole

- Place sunshade pole, with notch facing up, through the table into the mounting pole.



### Insert locking pin to affix mounting pole to mounting assembly

- Line up the pre-drilled holes in the mounting pole and mounting pole sleeve, and insert the locking pin.



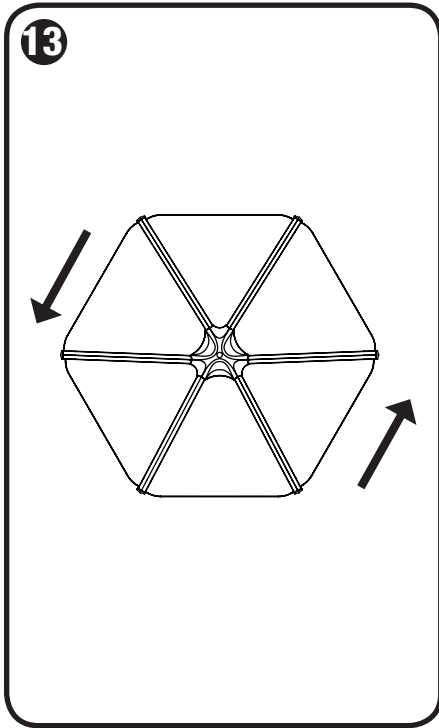
### Slide sunshade assembly onto sunshade pole

- Slide the tube in the center of the sunshade assembly onto the sunshade pole, linking the two pieces together.

# SOLERIS™ SUNSHADE

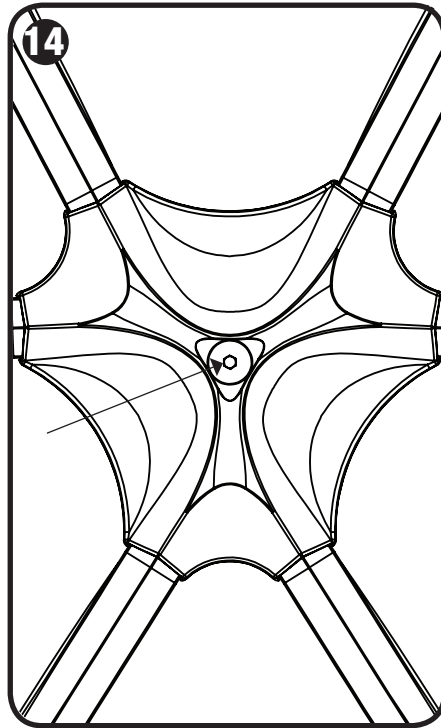
SURFACE MOUNT WITH APEX TABLE ENSEMBLE INSTALLATION INSTRUCTIONS

## STEP BY STEP FOR SOLERIS SUNSHADE USED WITH APEX TABLE ENSEMBLE



### Rotate sunshade

- Rotate sunshade until it engages with pins.



### Tighten screw on top of sunshade

- Tighten screw on top of sunshade with ratchet until snug.