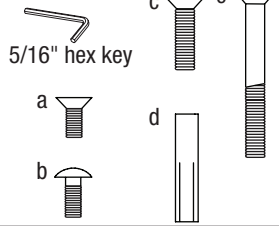


TANGENT™ TABLE ENSEMBLE

SURFACE MOUNT INSTALLATION INSTRUCTIONS

MATERIALS INCLUDED

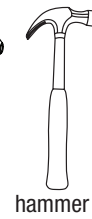
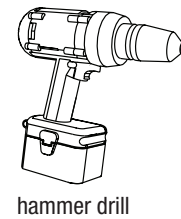
7/32" hex bit for tamper-resistant screws
 5/32" hex bit for for tamper-resistant screws



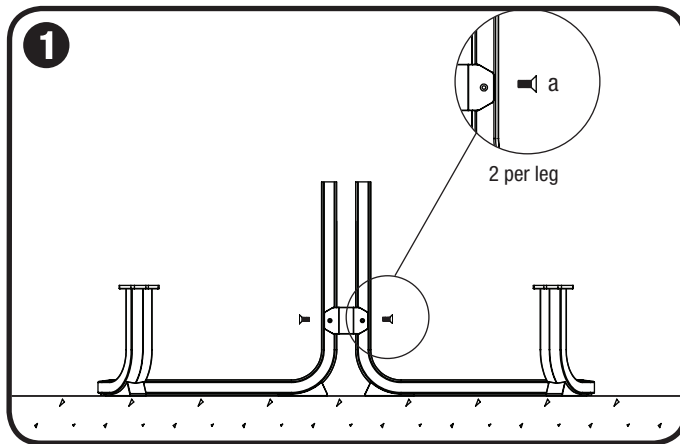
TOOLS NEEDED

3/16, 3/8, 1/2 & 5/8" drill bits for concrete
 pencil

steel wire brush
 1/4" punch

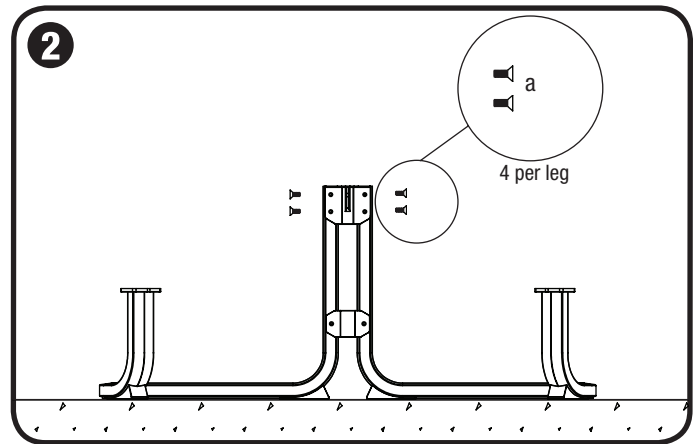


STEP BY STEP FOR ALL SURFACE MOUNTED TANGENT TABLE ENSEMBLES (SETAN-4BS SHOWN)



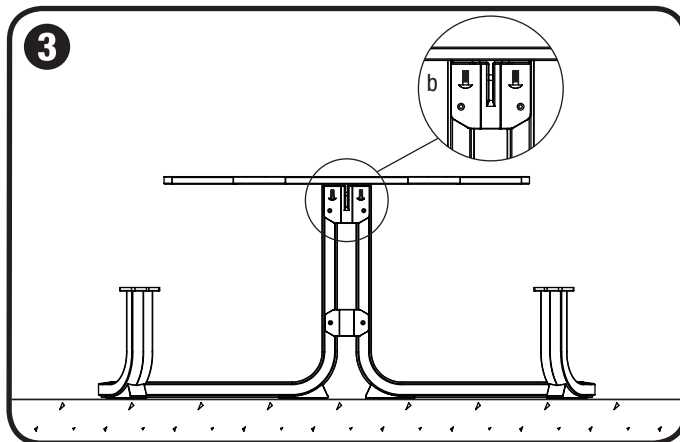
Attach legs to central hub

- Attach legs to central hub with 1/4"-20 x 3/4" flat socket-cap screws (a) using drill and 5/32" hex bit for tamper-resistant screws (provided).



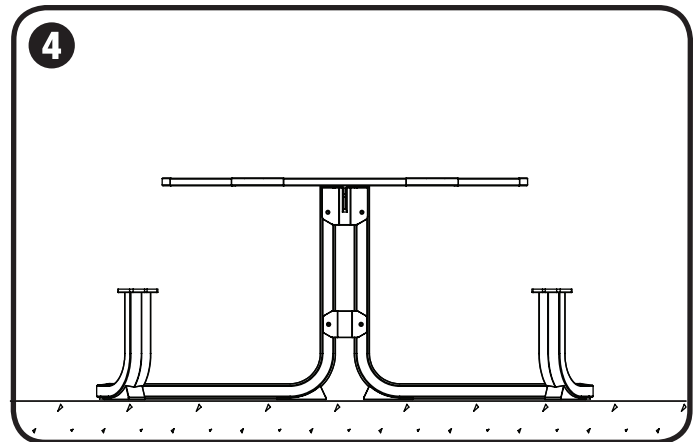
Attach top bracket to legs

- Attach top bracket to legs with 1/4"-20 x 3/4" flat socket-cap screws (a) using drill and 5/32" hex bit for tamper-resistant screws.



Attach table top to top bracket

- Attach table top to top bracket with 3/8"-16 x 3/4" button head cap screws (b) using drill and 7/32" hex bit for tamper-resistant screws. Note that 4-seat ensembles will use 8 flat socket-cap screws, and 6-seat ensembles will use 6 flat socket-cap screws.



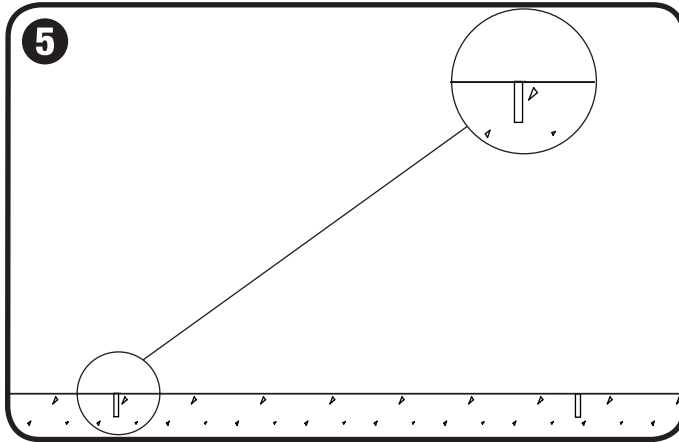
Mark hole locations

- Place table ensemble in desired location. Mark center of each hole location with a pencil.

TANGENT™ TABLE ENSEMBLE

SURFACE MOUNT INSTALLATION INSTRUCTIONS

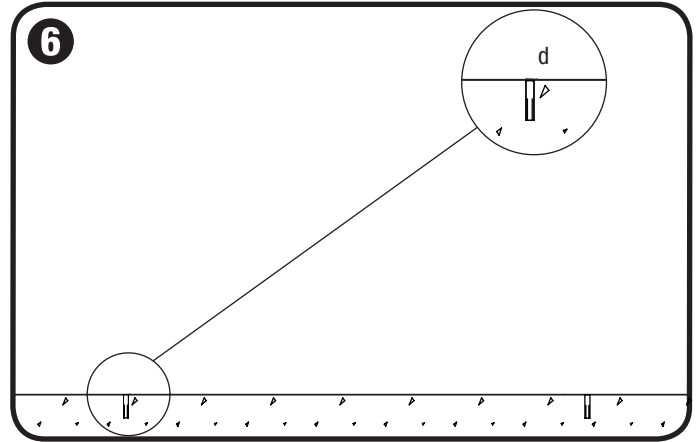
STEP BY STEP FOR ALL SURFACE MOUNTED TANGENT TABLE ENSEMBLES (SETAN-4BS SHOWN)



Drill anchor holes

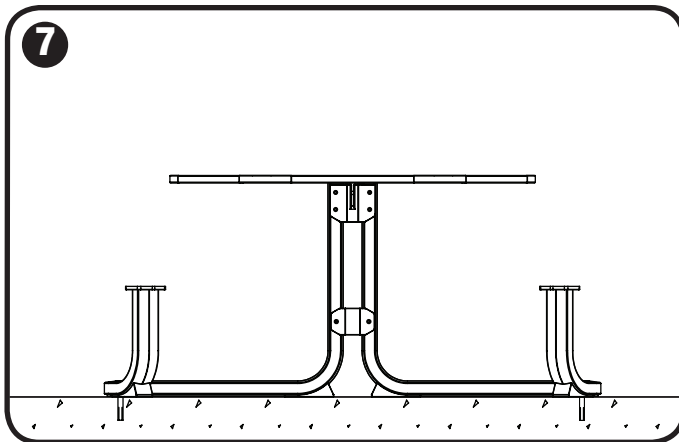
- Use hammer drill to drill 2-1/4" deep x 5/8" diameter anchor holes at each marked location using a 5/8" drill bit suitable for concrete drilling.

NOTE: Forms+Surfaces recommends starting holes with 3/16" diameter drill bit followed by 3/8" and finally 5/8" for maximum accuracy.



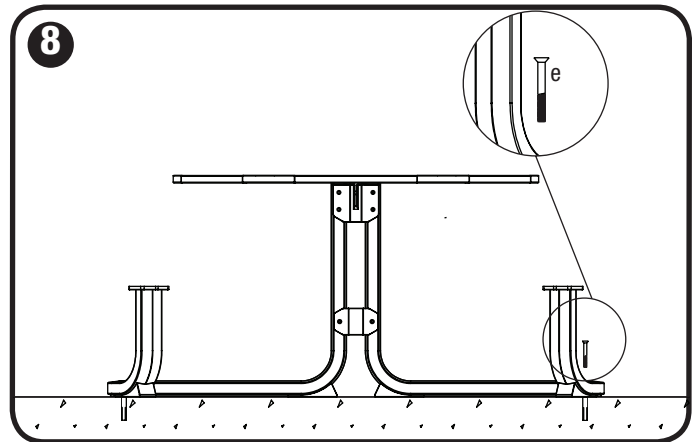
Insert and set anchors

- Use compressed air and steel wire brush to clean anchor hole.
- Insert 1/2"-13 x 2" anchor (d) into anchor hole and use hammer to tap anchor top flush with ground level.
- Use 1/4" punch and hammer to set anchor by driving down the center of each anchor until it stops.



Position ensemble

- Position ensemble so that mounting holes line up with anchors.



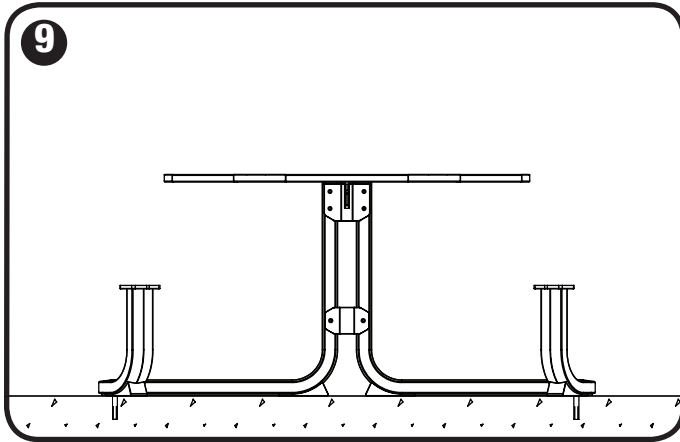
Attach ensemble

- Insert 1/2"-13 x 3" tamper-resistant flat socket-cap screws (e) into mounting holes in ensemble and thread into anchors using provided 5/16" hex key for tamper-resistant screws.

TANGENT™ TABLE ENSEMBLE

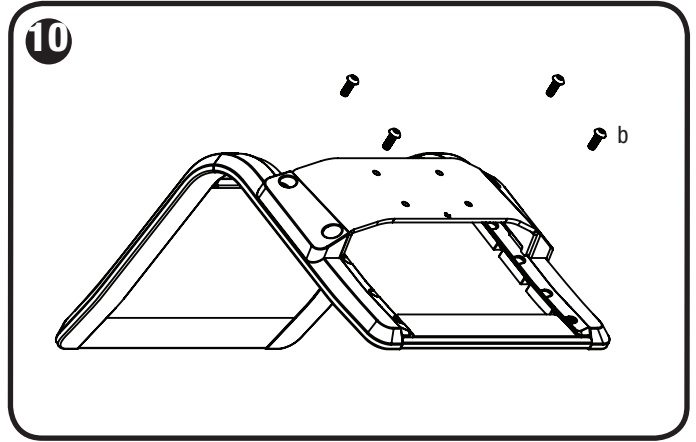
SURFACE MOUNT INSTALLATION INSTRUCTIONS

STEP BY STEP FOR ALL SURFACE MOUNTED TANGENT TABLE ENSEMBLES (SETAN-4BS SHOWN)



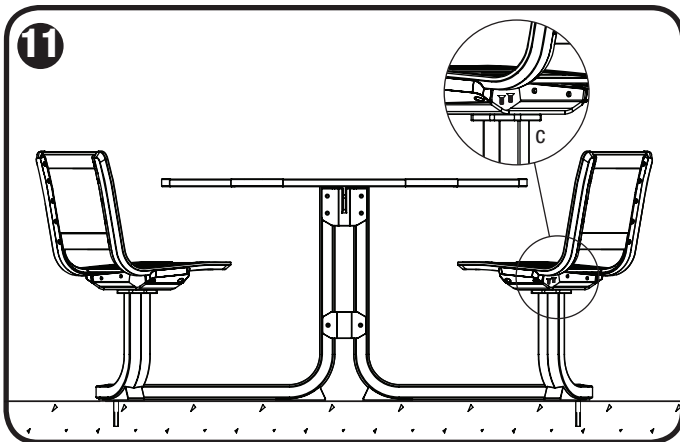
Tighten screws

- Tighten all screws until snug.



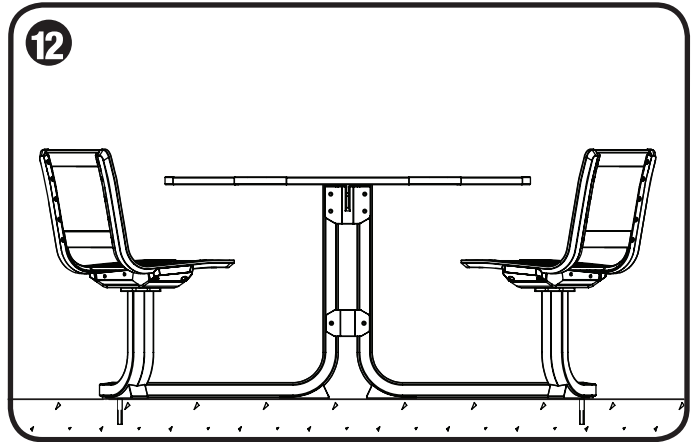
Attach seats to seat cradle brackets

- Attach seats to seat cradle brackets with 3/8"-16 x 3/4" button head cap screws (b) using a drill and 7/32" hex bit for tamper-resistant screws. Note that the indicator arrow on the seat cradle bracket should be pointing towards the front of the seat.



Attach seats to legs

- Attach seat cradles to legs with with 3/8"-16 x 1" flat socket-cap screws (c) using a drill and 7/32" hex bit for tamper-resistant screws.



Tighten screws

- Tighten all screws until snug.