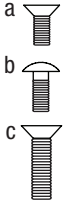
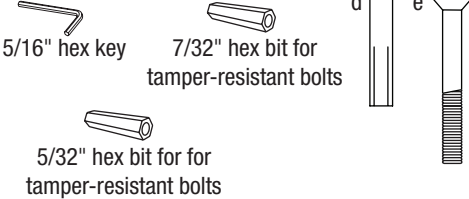
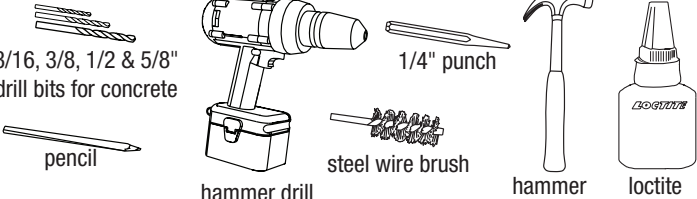
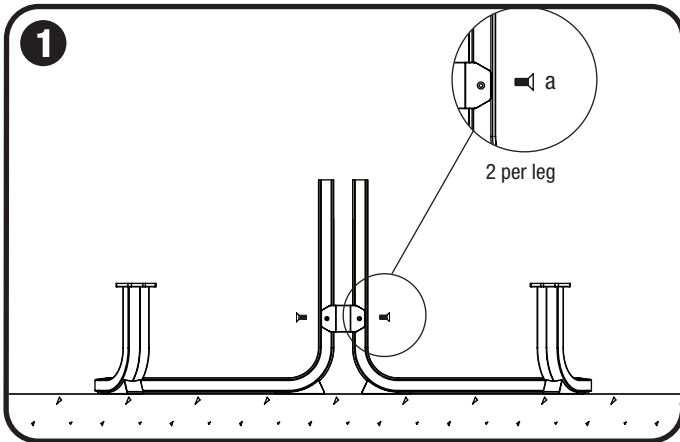


# TANGENT™ TABLE ENSEMBLE

## SURFACE MOUNT INSTALLATION INSTRUCTIONS

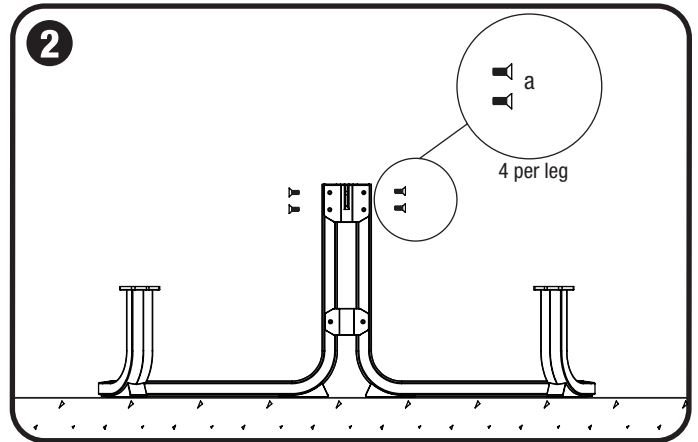
INCLUDED	MOUNTING KIT (SOLD SEPARATELY)	TOOLS NEEDED
		

### STEP BY STEP FOR ALL SURFACE MOUNTED TANGENT TABLE ENSEMBLES (SETAN-4BS SHOWN)



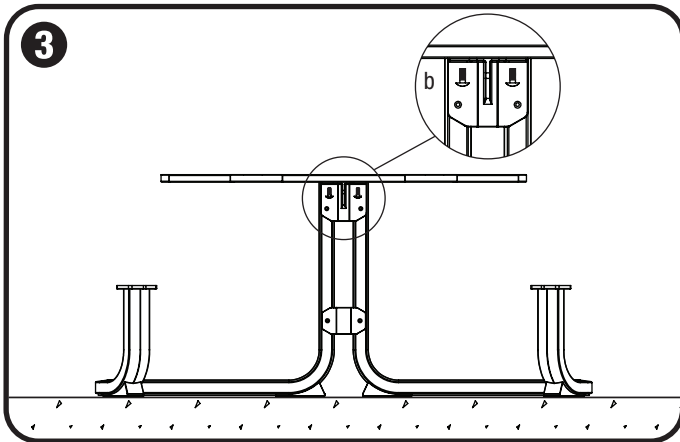
#### Attach legs to central hub

- Attach legs to central hub with 1/4"-20 x 3/4" flat socket-cap bolts (a) using drill and 5/32" hex bit for tamper-resistant bolts.



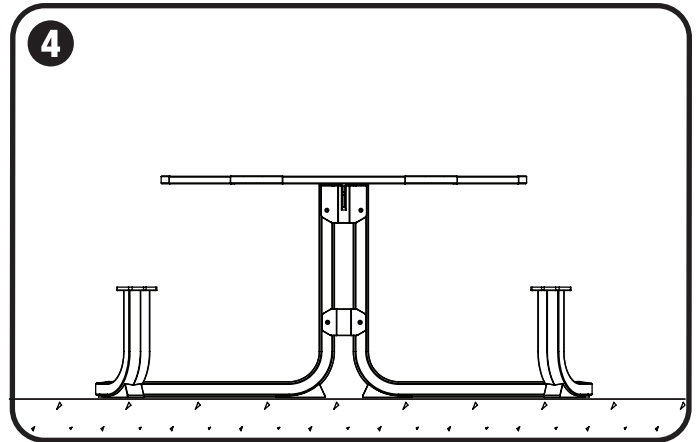
#### Attach top bracket to legs

- Attach top bracket to legs with 1/4"-20 x 3/4" flat socket-cap bolts (a) using drill and 5/32" hex bit for tamper-resistant bolts.



#### Attach table top to top bracket

- Attach table top to top bracket with 3/8"-16 x 3/4" button head cap bolts (b) using drill and 7/32" hex bit for tamper-resistant bolts. Note that 4-seat ensembles will use 8 flat socket-cap bolts, and 6-seat ensembles will use 6 flat socket-cap bolts.



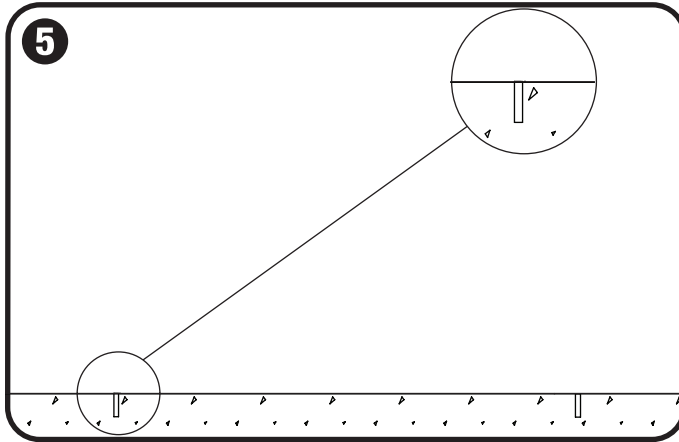
#### Mark hole locations

- Place table ensemble in desired location. Mark center of each hole location with a pencil.

# TANGENT™ TABLE ENSEMBLE

## SURFACE MOUNT INSTALLATION INSTRUCTIONS

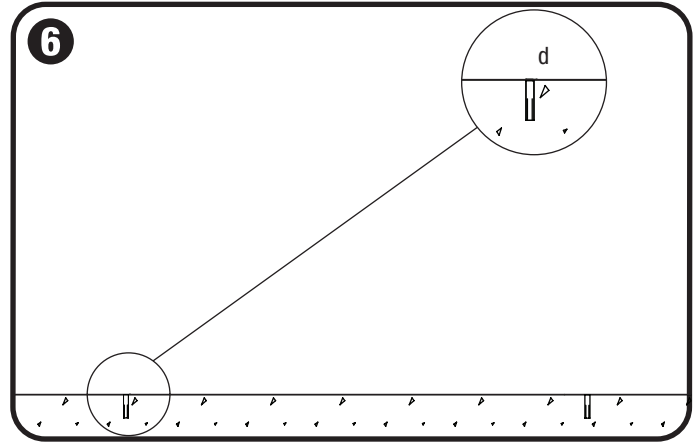
### STEP BY STEP FOR ALL SURFACE MOUNTED TANGENT TABLE ENSEMBLES (SETAN-4BS SHOWN)



#### Drill anchor holes

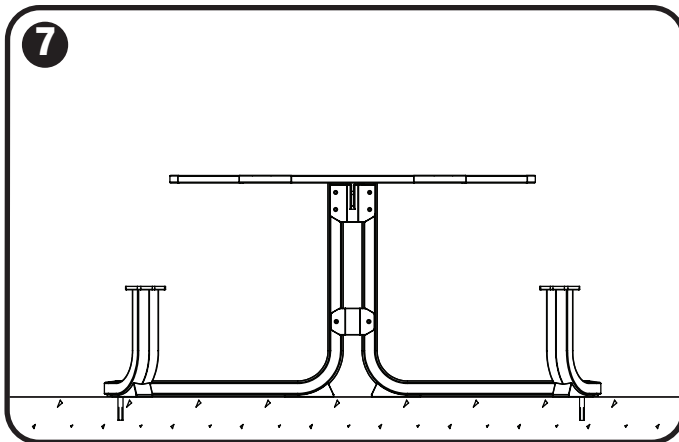
- Use hammer drill to drill 2-1/4" deep x 5/8" diameter anchor holes at each marked location using a 5/8" drill bit suitable for concrete drilling.

NOTE: Forms+Surfaces recommends starting holes with 3/16" diameter drill bit followed by 3/8" and finally 5/8" for maximum accuracy.



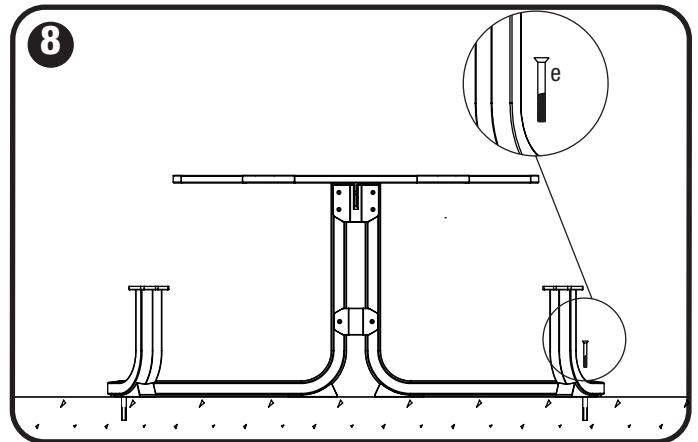
#### Insert and set anchors

- Use compressed air and steel wire brush to clean anchor hole.
- Insert 1/2"-13 x 2" anchor (d) into anchor hole and use hammer to tap anchor top flush with ground level.
- Use 1/4" punch and hammer to set anchor by driving down the center of each anchor until it stops.



#### Position ensemble

- Position ensemble so that mounting holes line up with anchors.



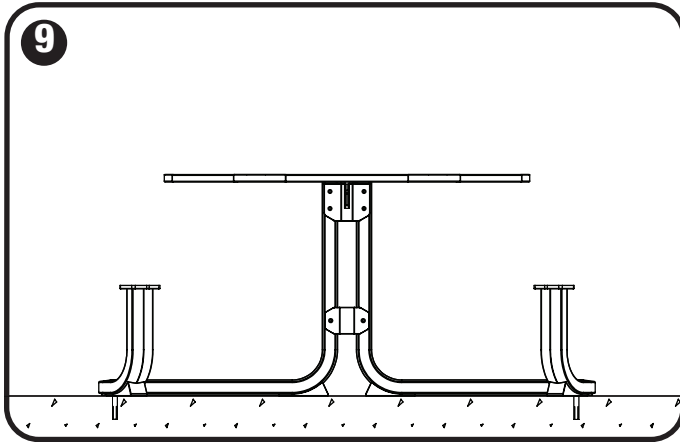
#### Attach ensemble

- Insert 1/2"-13 x 3" tamper-resistant flat socket-cap bolts (e) into mounting holes in ensemble and thread into anchors using 5/16" hex key for tamper-resistant bolts.

# TANGENT™ TABLE ENSEMBLE

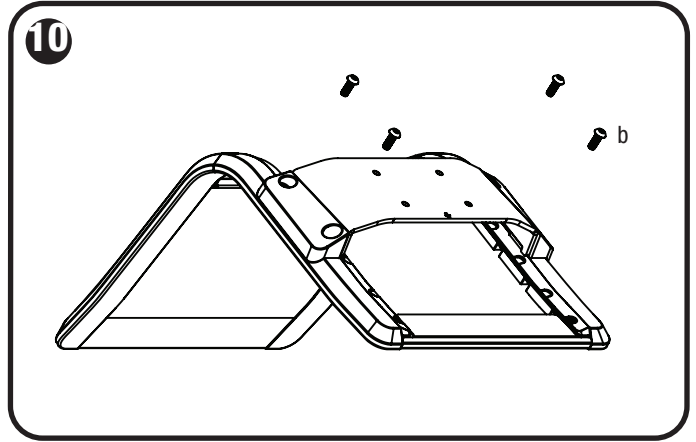
SURFACE MOUNT INSTALLATION INSTRUCTIONS

**STEP BY STEP** FOR ALL SURFACE MOUNTED TANGENT TABLE ENSEMBLES (SETAN-4BS SHOWN)



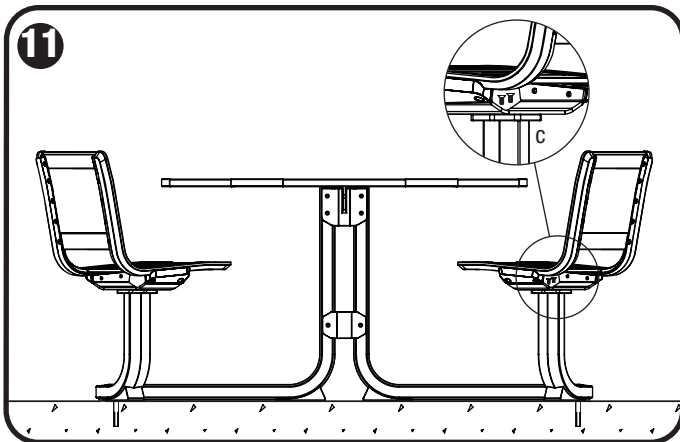
## Tighten bolt

- Tighten all bolts until snug.



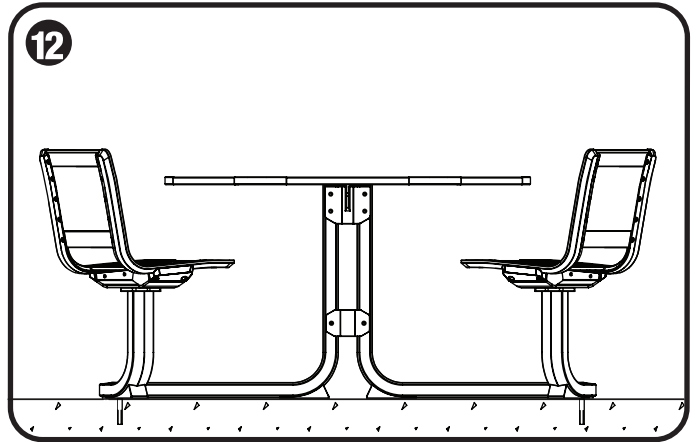
## Attach seats to seat cradle brackets

- Attach seats to seat cradle brackets with 3/8"-16 x 3/4" button head cap bolts (b) using a drill and 7/32" hex bit for tamper-resistant bolts. Note that the indicator arrow on the seat cradle bracket should be pointing towards the front of the seat.



## Attach seats to legs

- Attach seat cradles to legs with with 3/8"-16 x 1" flat socket-cap bolts (c) using a drill and 7/32" hex bit for tamper-resistant bolts.



## Tighten bolts

- Tighten all bolts until snug.