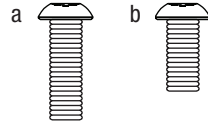


TANGENT™ RAIL SEATING

CAST-IN-PLACE INSTALLATION INSTRUCTIONS

MOUNTING KIT (SOLD SEPARATELY)

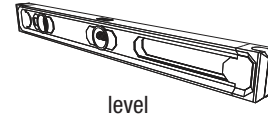
7/32" hex bit for
tamper-resistant bolts



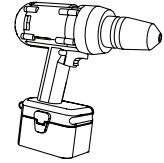
TOOLS NEEDED



tape measure

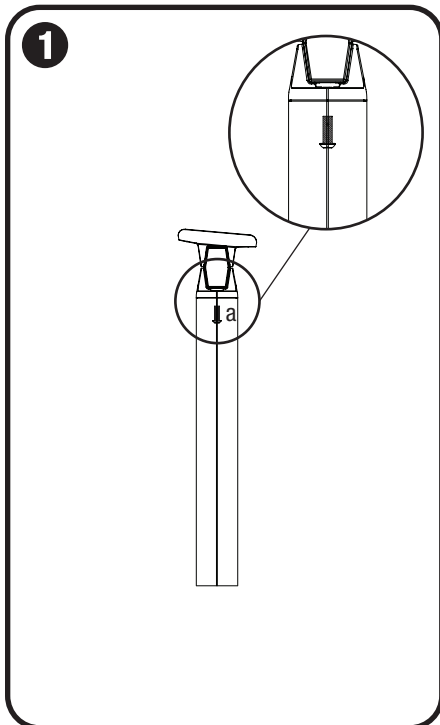


level



hammer drill

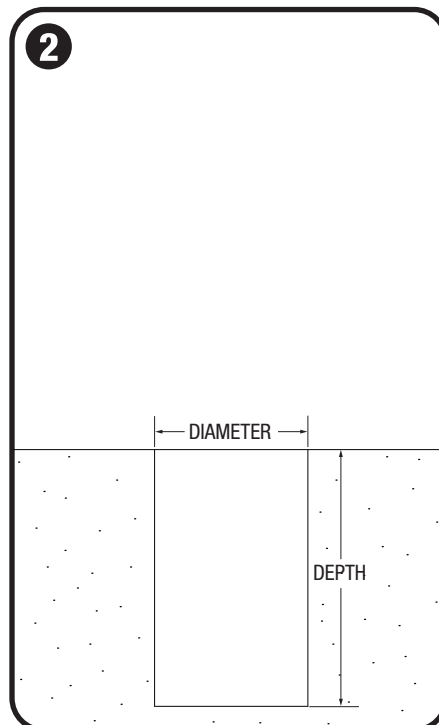
STEP BY STEP



Attach legs to rail

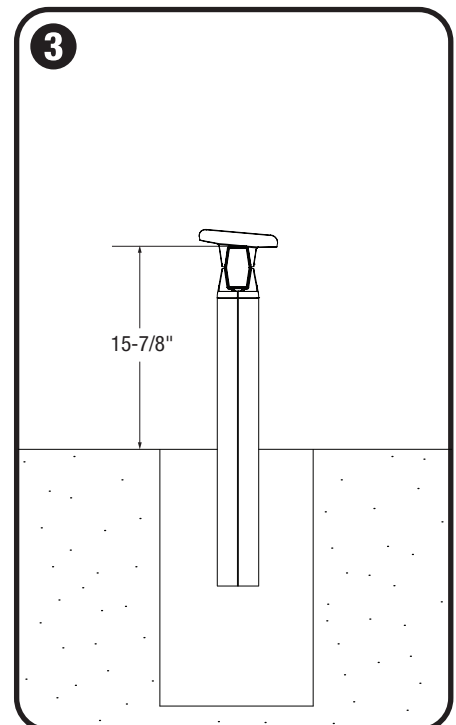
- Line holes in leg connection castings up with holes in rail and insert bolts.
- When placing rail, note that the back of the leg is indented, and the front of the leg is flat.
- Thread 3/8" - 16 x 1-1/4" button head cap bolts (a) into holes and tighten using 7/32" hex bit for tamper-resistant bolts.

NOTE: Rail seating is not freestanding and must be supported during this step.



Create spaces for footers

- A sufficient footer size depends on frost and other conditions to be determined by the installer. A minimum of a 12" diameter x 20" deep footer per leg support is recommended.



Position and support rail & legs

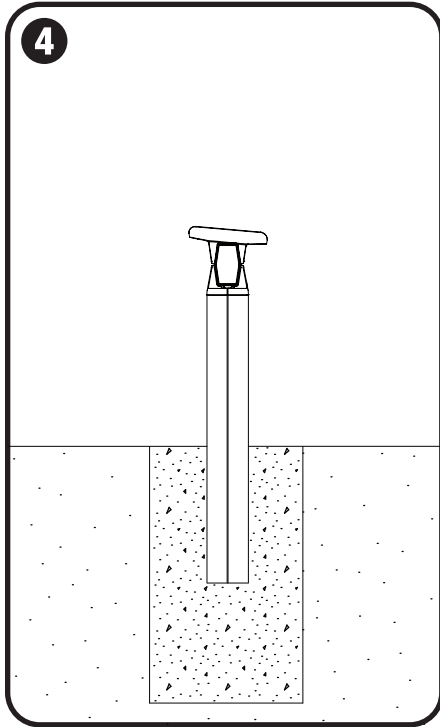
- Position rail seating in desired final location and support unit so concrete can be poured in hole around each leg support.
- The recommended height from ground level to the top of the rail extrusion is 15-7/8".
- Use level to ensure rail & leg supports are level.

NOTE: When placing rail, note that the seat connect bracket is angled downward toward the rear of the bench.

TANGENT™ RAIL SEATING

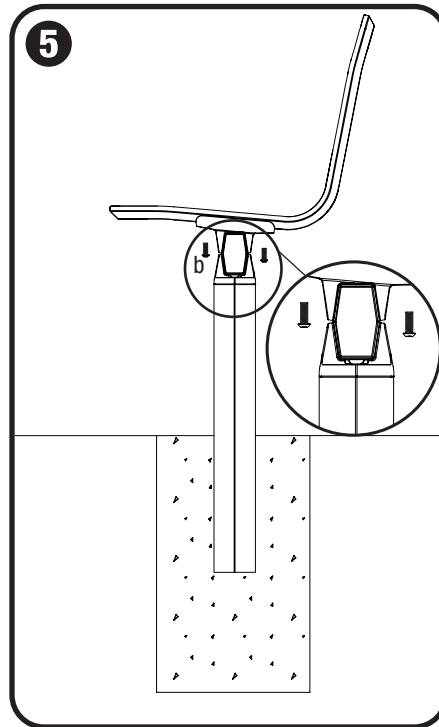
CAST-IN-PLACE INSTALLATION INSTRUCTIONS

STEP BY STEP



Pour concrete footer

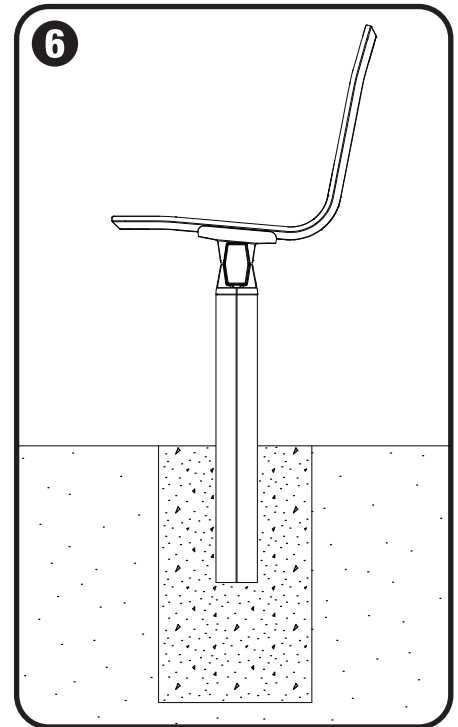
- Mix concrete and pour footer according to concrete manufacturer's instructions.
- As soon as the footer is poured, re-measure to verify height and level.
- Allow concrete to cure completely according to concrete manufacturer's instructions before removing any temporary supports.



Attach seats & armrests to rail

- Line holes in seats and armrests up with holes in connection castings (already attached to rail) and insert bolts.
- Thread 3/8"-16 x 3/4" button head cap bolts (b) into holes and tighten using 7/32" hex bit for tamper-resistant bolts.

NOTE: Seats and armrests must be supported during this step until all bolts are tightened.



Tighten all bolts

- Tighten all bolts until snug.