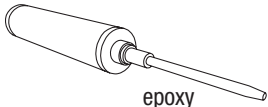




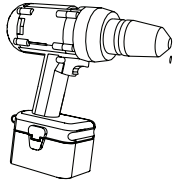




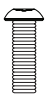





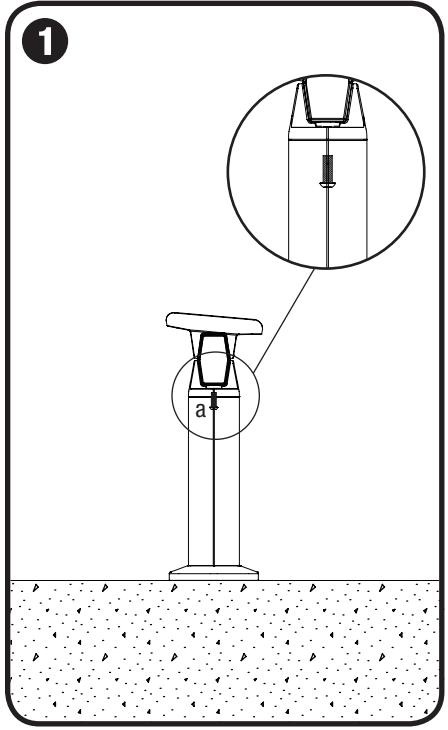


TANGENT™ RAIL SEATING

SURFACE MOUNT INSTALLATION INSTRUCTIONS

MATERIALS INCLUDED		TOOLS NEEDED	
	epoxy		pencil
	5/16" hex bit for tamper-resistant screws		1/4", 1/2" & 7/8" drill bits for concrete
	7/32" hex bit for tamper-resistant screws		hammer drill
	a		loctite
	b		steel wire brush
	c		epoxy gun
	g		
	d		
	e		
	f		

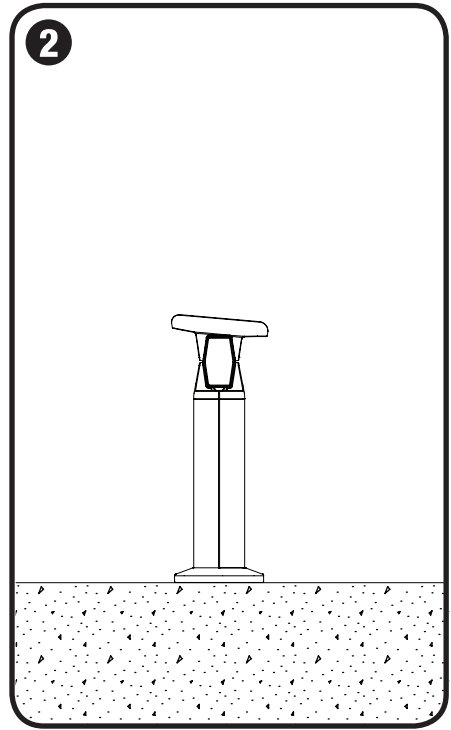
STEP BY STEP



1 Attach legs to rail

- Line holes in leg connection castings up with holes in rail and insert provided screws.
- Thread 3/8"-16 x 1-1/4" button head cap screws (a) into holes and tighten using provided 7/32" hex bit for tamper-resistant screws.
- When placing rail, note that the back of the leg is indented and the front of the leg is flat.

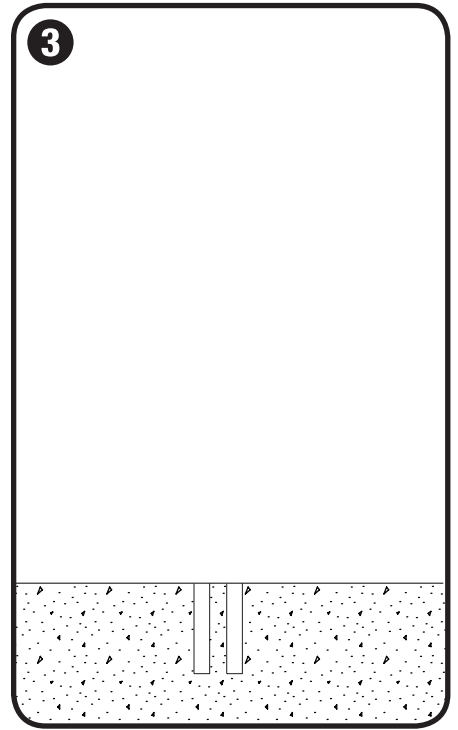
NOTE: Rail seating is not freestanding and must be supported during this step.



2 Mark hole locations

- Place rail & legs in desired location. Mark center of each hole location with a pencil.
- Seat connect bracket is angled downward toward the rear of the bench.

NOTE: Rail seating is not freestanding and must be supported during this step.



3 Drill holes

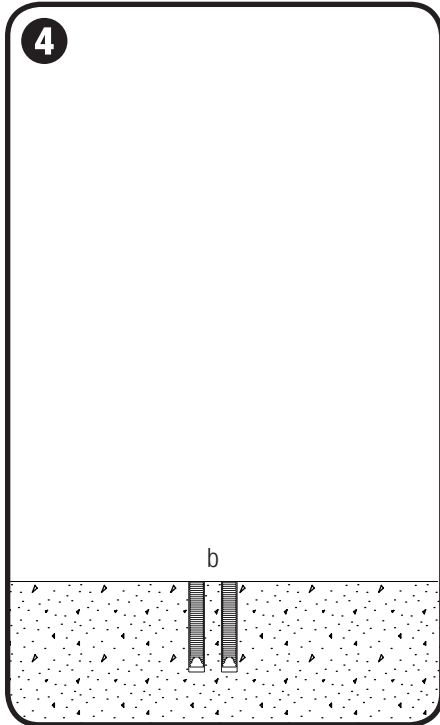
- Use hammer drill to drill 5" deep x 7/8" diameter anchor hole at each marked location using a 7/8" drill bit suitable for concrete drilling.

NOTE: Forms+Surfaces recommends starting holes with 1/4" diameter drill bit followed by 1/2" and finally 7/8" for maximum accuracy.

TANGENT™ RAIL SEATING

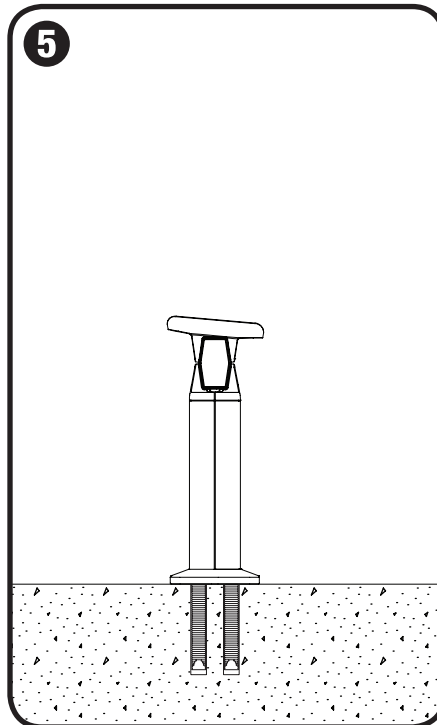
SURFACE MOUNT INSTALLATION INSTRUCTIONS

STEP BY STEP



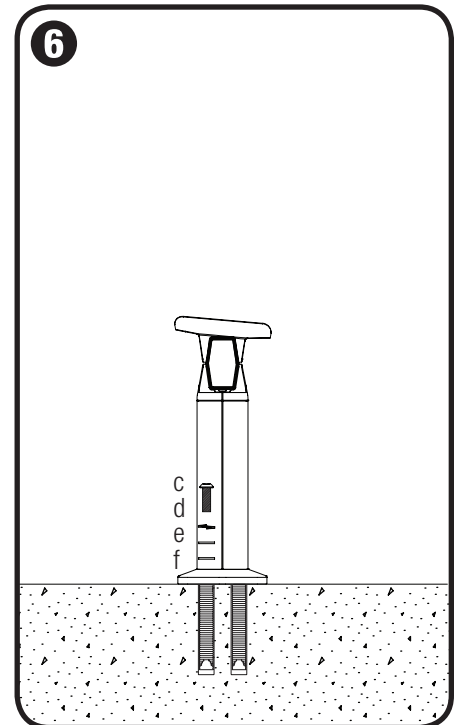
Fill holes & insert anchors

- Use compressed air and steel wire brush to clean each anchor hole in accordance with epoxy instructions.
- Use epoxy in epoxy gun to fill each anchor hole 5/8 of the hole depth in accordance with epoxy instructions.
- Insert 1/2"-13 x 5" epoxy anchor (b) into each anchor hole so anchor top is flush with ground. Allow proper curing time according to cure schedule on epoxy instructions before moving on to step 4.



Position rail & legs

- Position rail & legs so that mounting holes line up with anchors.
- NOTE: Rail seating is not freestanding and must be supported during this step.



Attach rail & legs

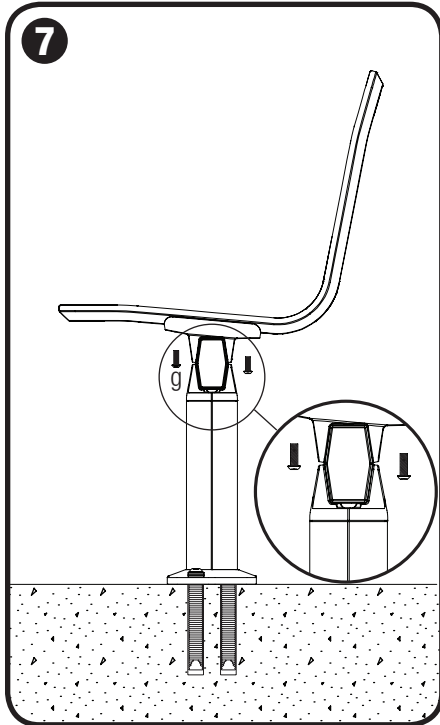
- Slide 1/2" stainless steel lock washer (d), 1/2" stainless steel flat washer (e), and 1/2" nylon flat washer (f) onto each 1/2"-13 x 1-1/2" tamper-resistant button head cap screw (c).
- Insert screws into mounting holes in bench and thread into anchors using provided 5/16" hex bit for tamper-resistant screws.

Note: Forms+Surfaces recommends applying Loctite to all screws before threading into place.

TANGENT™ RAIL SEATING

SURFACE MOUNT INSTALLATION INSTRUCTIONS

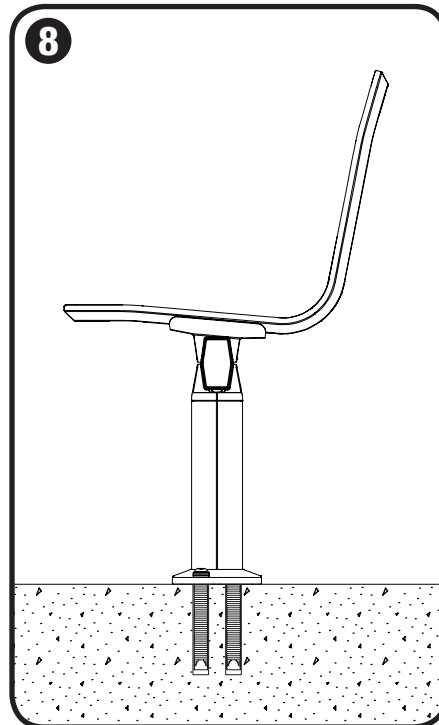
STEP BY STEP



Attach seats & armrests to rail

- Line holes in seats and armrests up with holes in connection castings (already attached to rail) and insert provided screws.
- Thread 3/8" - 16 x 3/4" button head cap screws (g) into holes and tighten using provided 7/32" hex bit for tamper-resistant screws.

NOTE: Seats and armrests must be supported during this step until all screws are tightened.



Tighten all screws

- Tighten all screws until snug.