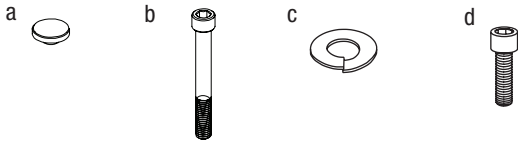


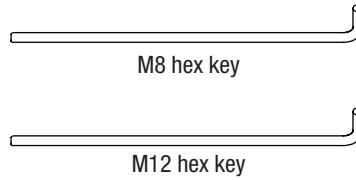
TECNO RS SEATING SYSTEM

FREESTANDING INSTALLATION INSTRUCTIONS

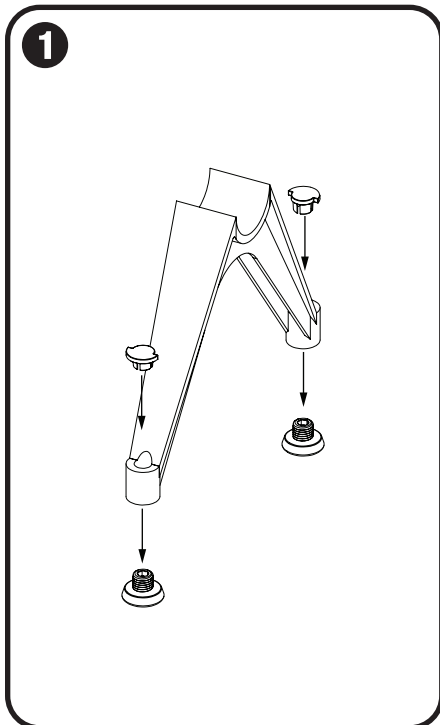
MOUNTING KIT (SOLD SEPARATELY)



TOOLS NEEDED



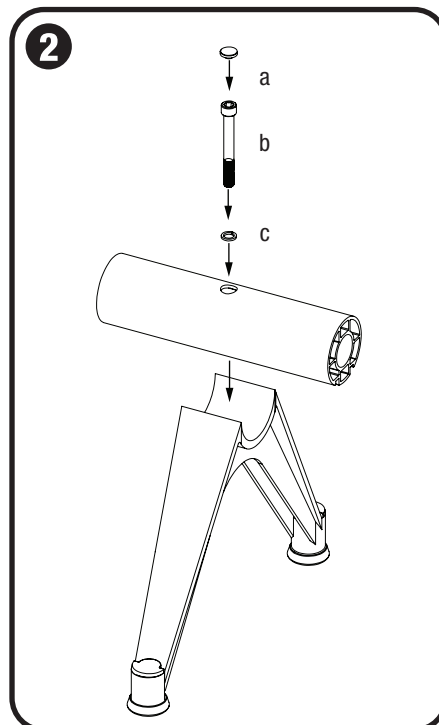
STEP BY STEP FOR FREESTANDING CONFIGURATIONS.



1 Attach leveling feet to legs

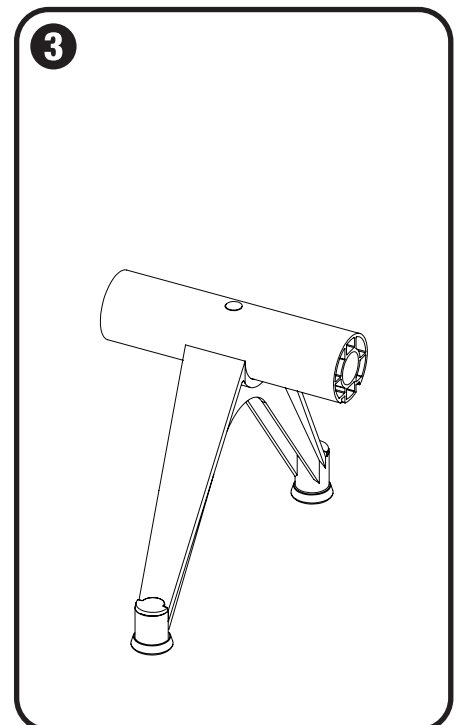
- Tighten nylon leveling feet into bottom of legs.
- Attach freestanding leg caps.

Note: Backless freestanding v-leg shown.



2 Attach seat rail to freestanding legs

- Once all freestanding v-legs are in position, place seat rail onto legs. Ensure that connection holes in the seat rail and legs align.
- Insert M12 lock washer (c), then M12 x 120 socket head cap bolt (b) into seat rail to secure seat rail to the legs.
- Tighten bolts until snug.
- Fit nylon cap (a) onto the top of socket head cap bolt.



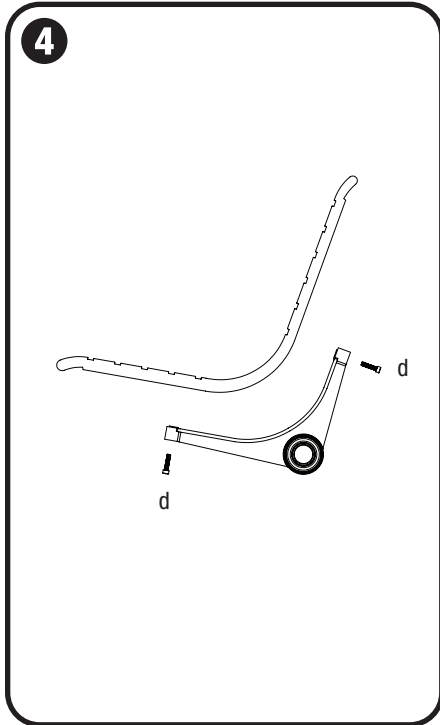
3 Secure seat rail

- Seat rail should now be secured to the freestanding v-legs.

TECNO RS SEATING SYSTEM

FREESTANDING INSTALLATION INSTRUCTIONS

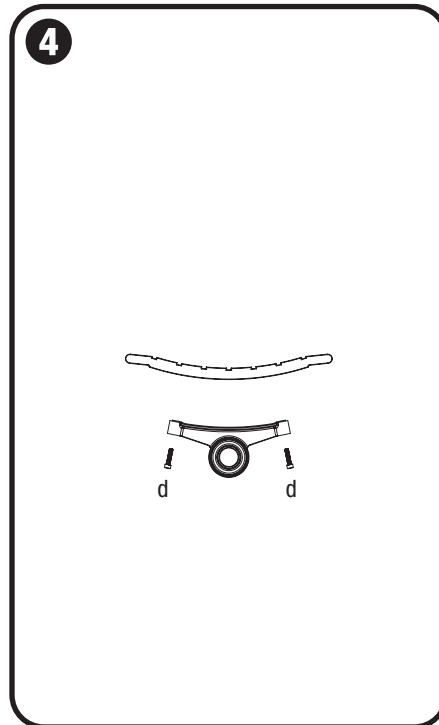
STEP BY STEP FOR FREESTANDING CONFIGURATIONS.



For configurations with backed seats

- Position backed seat on seat bracket ensuring that mounting holes line up.
- Insert M8 x 35 socket head cap bolts (d) using an M8 hex key to secure backed seat to seat bracket.
- Tighten bolts until snug.

NOTE: Forms+Surfaces recommends applying Loctite® or similar thread-locking adhesive.



For configurations with backless seats

- Position backless seat on seat bracket ensuring that mounting holes line up.
- Insert M8 x 35 socket head cap bolts (d) using an M8 hex key to secure backless seat to seat bracket.
- Tighten bolts until snug.

NOTE: Forms+Surfaces recommends applying Loctite® or similar thread-locking adhesive.