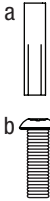

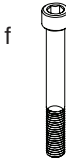









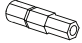

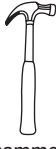






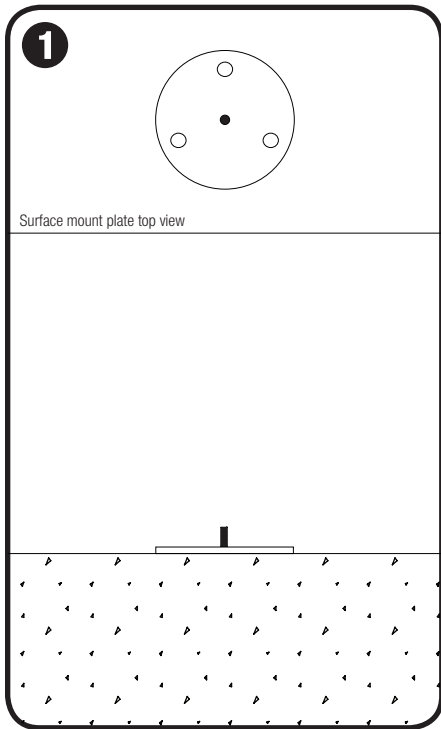


# TECNO RS SEATING SYSTEM

## SURFACE MOUNT WITH BASE PLATE INSTALLATION INSTRUCTIONS

MATERIALS INCLUDED				TOOLS NEEDED			
							
							
							

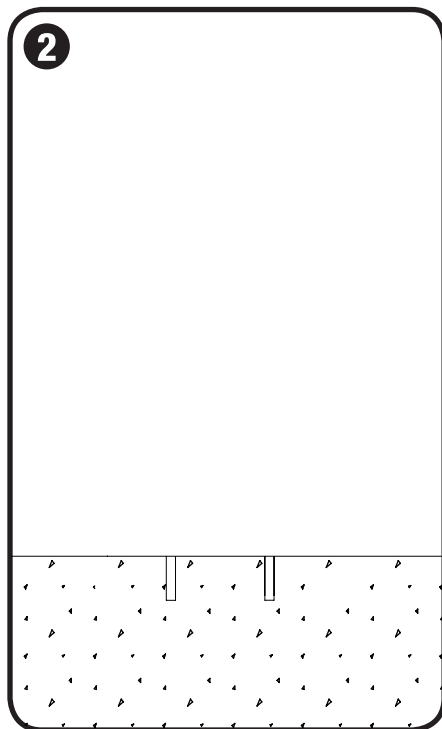
### STEP BY STEP FOR SURFACE MOUNT CYLINDRICAL MOUNTING POST OR PERCH LEG WITH BASE PLATE.



**Mark hole locations**

- Place surface mount plate in desired location. Mark center of each hole location with a pencil.

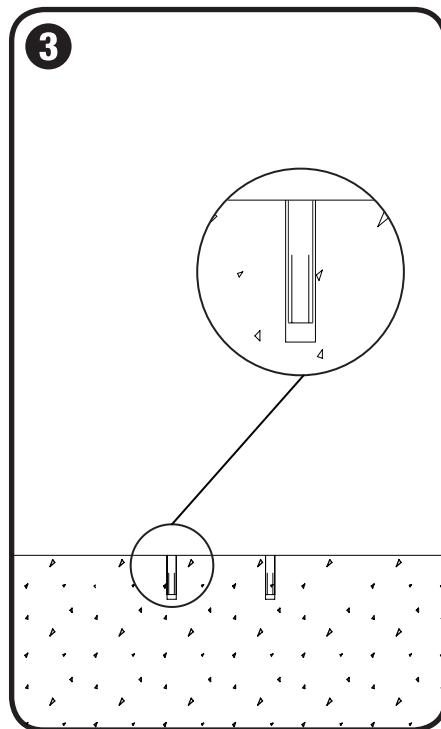
NOTE: To ensure proper placement dry fit surface mount plate, mounting tie rod and seat rail in desired location. Once secure, ensure that connection holes in the seat rail and mounting post brackets align before marking surface mount plate location.



**Drill holes**

- Use hammer drill to drill 2-1/4" deep x 5/8" diameter anchor hole at each marked location using a 5/8" drill bit suitable for concrete drilling.

NOTE: Forms+Surfaces recommends starting holes with 3/16" diameter drill bit followed by 3/8" and finally 5/8" for maximum accuracy.



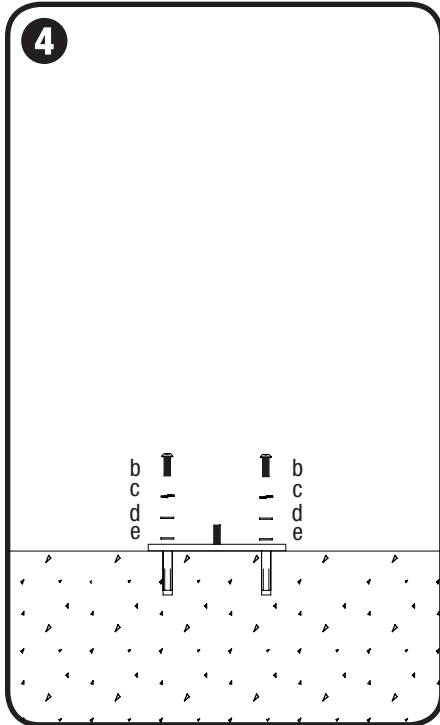
**Insert & set anchors**

- Use compressed air and steel wire brush to clean each anchor hole.
- Insert 1/2"-13 x 2" anchor (a) into each anchor hole and use hammer to tap anchor tops flush with ground level.
- Use 1/4" punch and hammer to set anchors by driving down the center of each anchor until it stops.

# TECNO RS SEATING SYSTEM

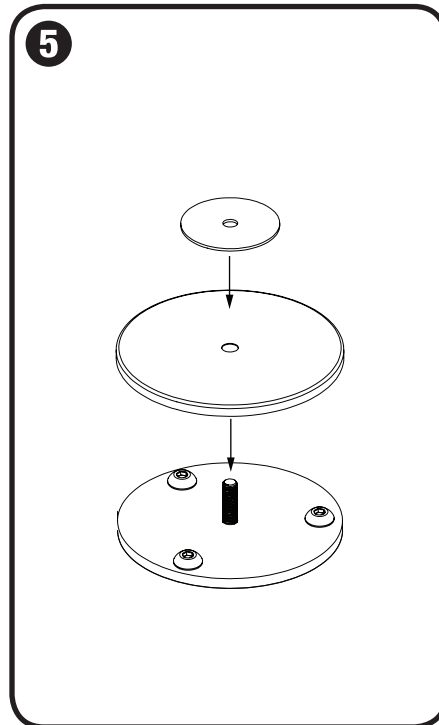
## SURFACE MOUNT WITH BASE PLATE INSTALLATION INSTRUCTIONS

### STEP BY STEP FOR SURFACE MOUNT CYLINDRICAL MOUNTING POST OR PERCH LEG WITH BASE PLATE.



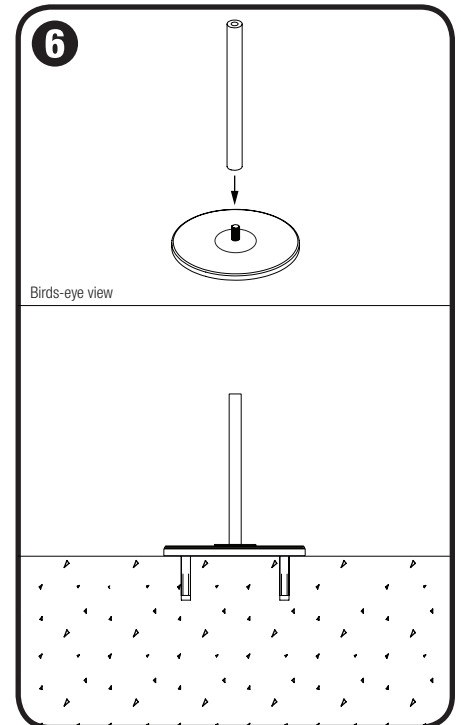
#### Position surface mount plate

- Position surface mount plate so that mounting holes line up with anchors.
- Slide 1/2" stainless steel lock washer (c), then 1/2" stainless steel flat washer (d) and 1/2" nylon flat washer (e) onto each 1/2"-13 x 1-1/2" tamper-resistant button head cap screw (b).
- Insert button head cap screw into surface mount plate.
- Tighten screw until snug.



#### Attach surface mount plate cover

- Slide surface mount plate cover, then centering disc onto the threaded rod in surface mount plate.



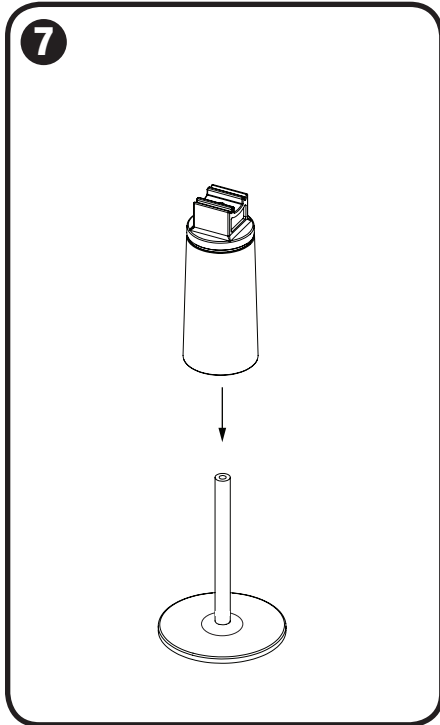
#### Attach mounting tie rod

- Screw mounting tie rod onto threaded rod on surface mount base plate.
- Tighten tie rod until snug.

# TECNO RS SEATING SYSTEM

SURFACE MOUNT WITH BASE PLATE INSTALLATION INSTRUCTIONS

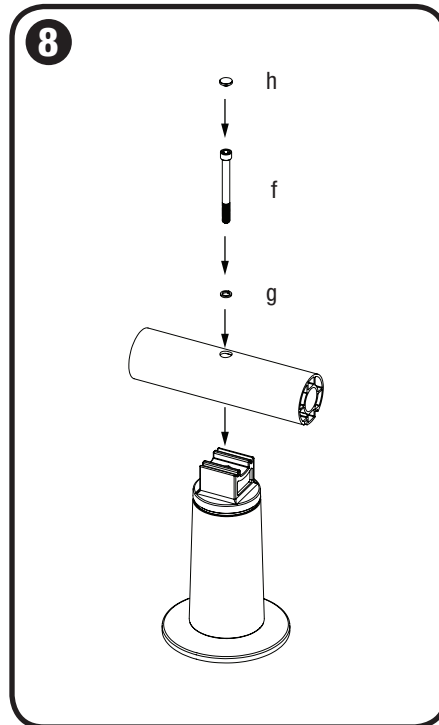
STEP BY STEP FOR SURFACE MOUNT CYLINDRICAL MOUNTING POST OR PERCH LEG WITH BASE PLATE.



## Position mounting post

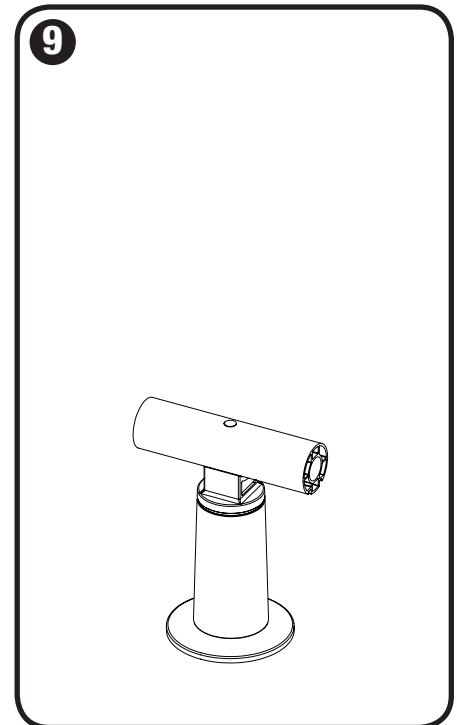
- Slide cylindrical or perch mounting post over tie rod and centering disc.

NOTE: For Perch configurations you will need to attach the rail mounting bracket before moving on to step 8. Rail mounting bracket slides onto perch mounting post.



## Attach seat rail to mounting post

- Once all mounting posts are in position, place seat rail onto rail mounting brackets. Ensure that connection holes in the seat rail and mounting brackets align.
- Insert M12 lock washer (g), then M12 x 120 socket head cap screw (f) into seat rail to secure seat rail to the rail mounting bracket.
- Tighten screw until snug.  
NOTE: If screw is not tightened securely, mounting points will be loose.
- Fit nylon cap (h) onto the top of socket head cap screw.



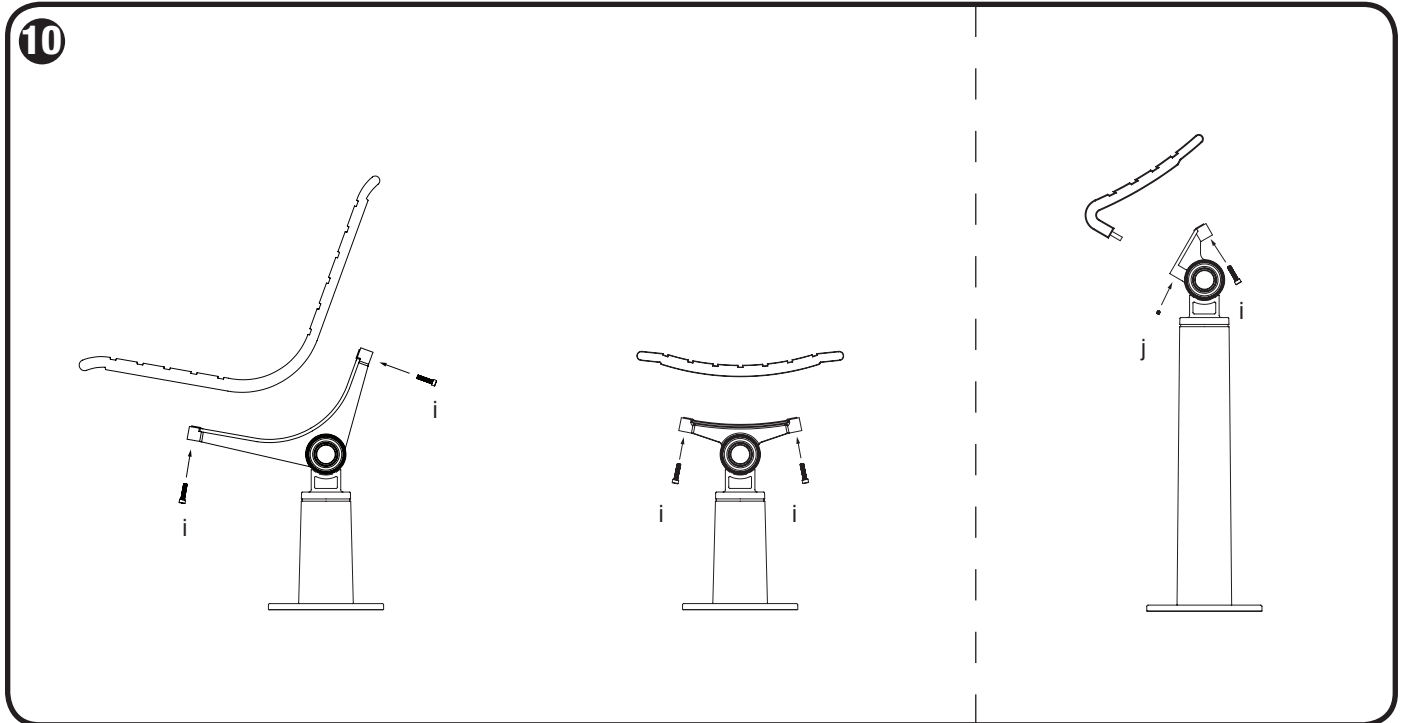
## Secure seat rail

- Seat rail should now be secured to the mounting posts.

# TECNO RS SEATING SYSTEM

SURFACE MOUNT WITH BASE PLATE INSTALLATION INSTRUCTIONS

## STEP BY STEP FOR SURFACE MOUNT CYLINDRICAL MOUNTING POST OR PERCH LEG WITH BASE PLATE.



- Position backed seat on seat bracket ensuring that mounting holes line up.
- For configurations with backed or backless seats: Insert M8 x 35 socket head cap screws (i) using a 6mm hex key to secure backed seat to seat bracket.
- For configurations with perch seats: Insert M6 set screw (j) as shown above using a 5mm hex key to secure the front of the perch seat. Insert M8 x 35 socket head cap screw (i) using an 6mm hex key to secure perch seat to seat bracket.
- Tighten screws until snug.

NOTE: Forms+Surfaces recommends applying Loctite® or similar thread-locking adhesive.