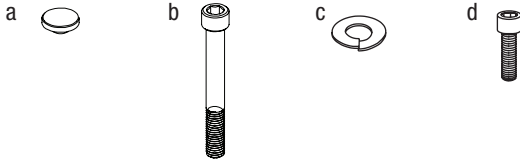


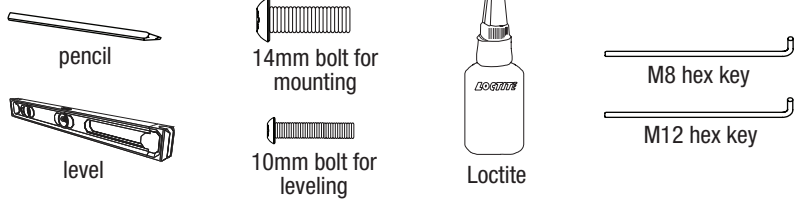
TECNO RS SEATING SYSTEM

WALL MOUNT INSTALLATION INSTRUCTIONS

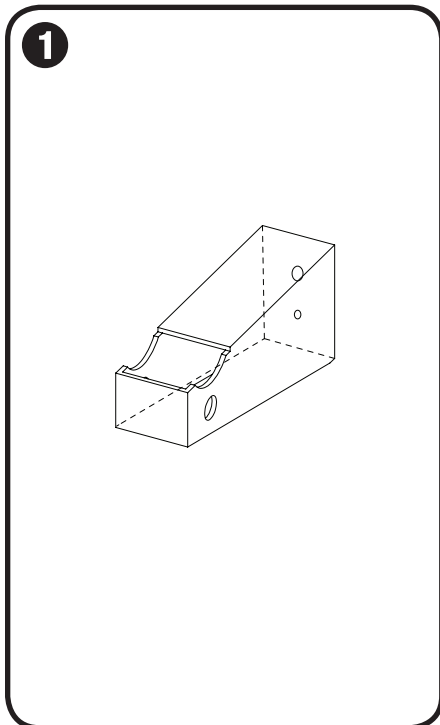
MATERIALS INCLUDED



TOOLS NEEDED



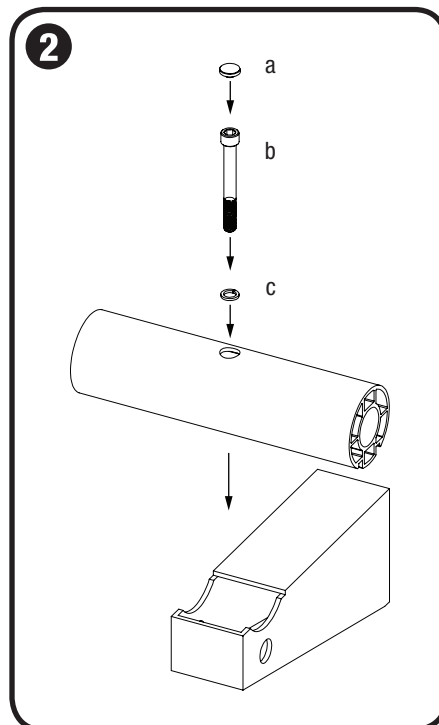
STEP BY STEP FOR WALL MOUNT CONFIGURATIONS.



Secure wall mount bracket to wall

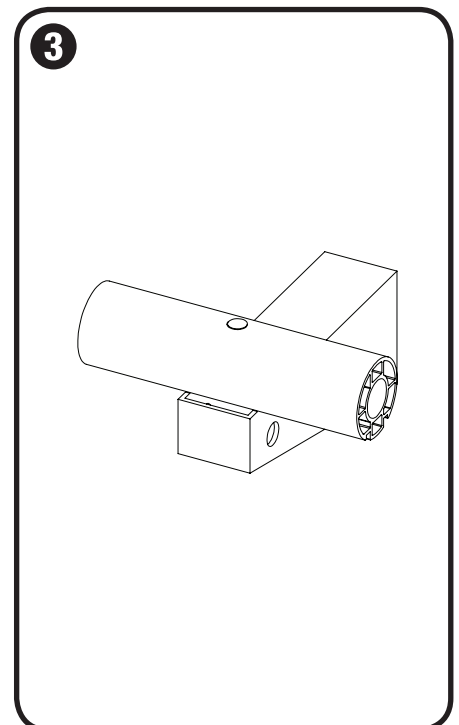
- Choose hardware that is appropriate for your application. Mounting bracket accepts 14mm bolt for mounting (top hole) and 10 mm bolt for leveling (bottom hole).
- Use a level to ensure mounting location is level before securing mounting brackets to wall.

Note: Because different wall materials may require different hardware, mounting hardware is not included.



Attach seat rail to freestanding legs

- Once all wall mount brackets are in position, place seat rail onto brackets. Ensure that connection holes in the seat rail and brackets align.
- Insert M12 lock washer (c), then M12 x 120 socket head cap screw (b) into seat rail to secure seat rail to the rail mounting bracket.
- Tighten screw until snug.
- Fit nylon cap (a) onto the top of socket head cap screw.



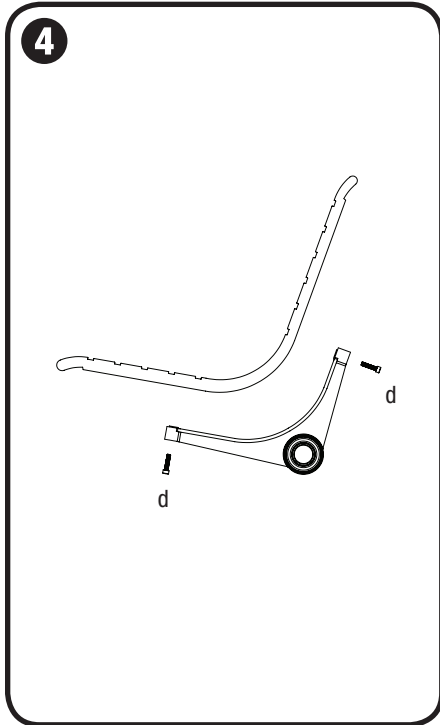
Secure seat rail

- Seat rail should now be secured to the wall mount bracket.

TECNO RS SEATING SYSTEM

WALL MOUNT INSTALLATION INSTRUCTIONS

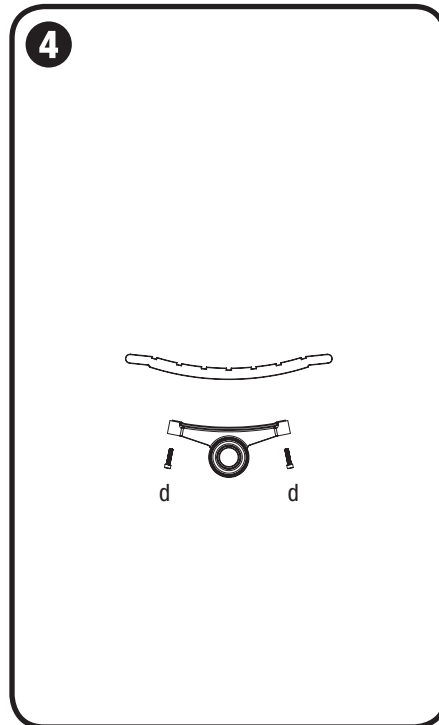
STEP BY STEP FOR WALL MOUNT CONFIGURATIONS.



For configurations with backed seats

- Position backed seat on seat bracket ensuring that mounting holes line up.
- Insert M8 x 35 socket head cap screws (d) using an M8 hex key to secure backed seat to seat bracket.
- Tighten screws until snug.

NOTE: Forms+Surfaces recommends applying Loctite® or similar thread-locking adhesive.



For configurations with backless seats

- Position backless seat on seat bracket ensuring that mounting holes line up.
- Insert M8 x 35 socket head cap screws (d) using an M8 hex key to secure backed seat to seat bracket.
- Tighten screws until snug.

NOTE: Forms+Surfaces recommends applying Loctite® or similar thread-locking adhesive.