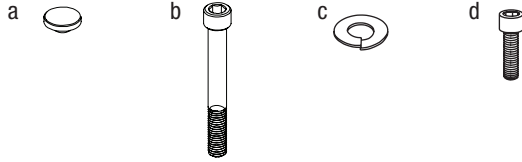


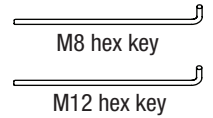
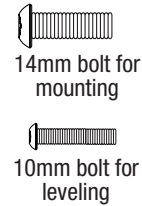
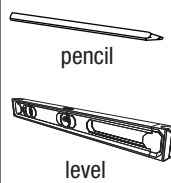
# TECNO RS SEATING SYSTEM

## WALL MOUNT INSTALLATION INSTRUCTIONS

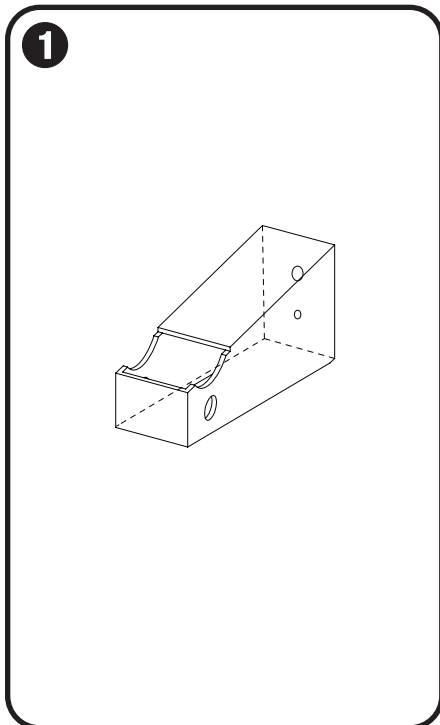
### MOUNTING KIT (SOLD SEPARATELY)



### TOOLS NEEDED



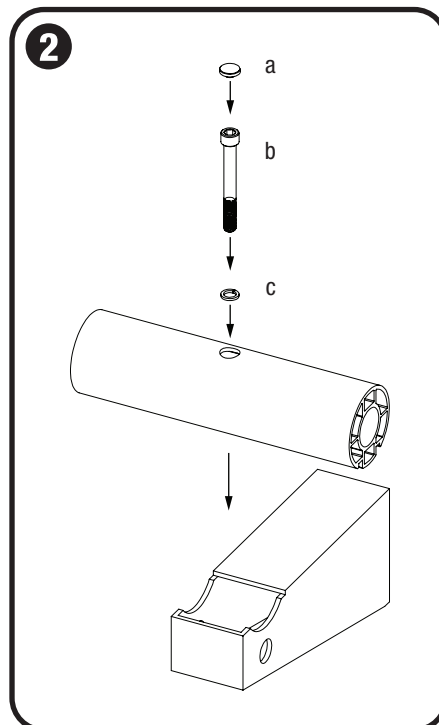
### STEP BY STEP FOR WALL MOUNT CONFIGURATIONS.



#### Secure wall mount bracket to wall

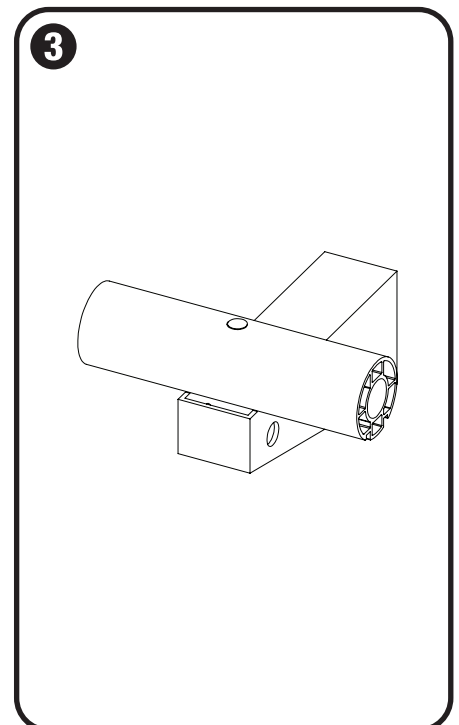
- Choose hardware that is appropriate for your application. Mounting bracket accepts 14mm bolt for mounting (top hole) and 10 mm bolt for leveling (bottom hole).
- Use a level to ensure mounting location is level before securing mounting brackets to wall.

Note: Because different wall materials may require different hardware, mounting hardware is not included.



#### Attach seat rail to freestanding legs

- Once all wall mount brackets are in position, place seat rail onto brackets. Ensure that connection holes in the seat rail and brackets align.
- Insert M12 lock washer (c), then M12 x 120 socket head cap bolt (b) into seat rail to secure seat rail to the rail mounting bracket.
- Tighten bolts until snug.
- Fit nylon cap (a) onto the top of socket head cap bolt.



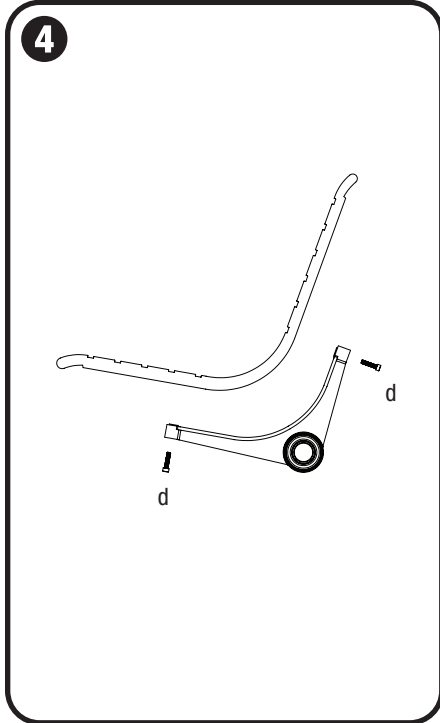
#### Secure seat rail

- Seat rail should now be secured to the wall mount bracket.

# TECNO RS SEATING SYSTEM

WALL MOUNT INSTALLATION INSTRUCTIONS

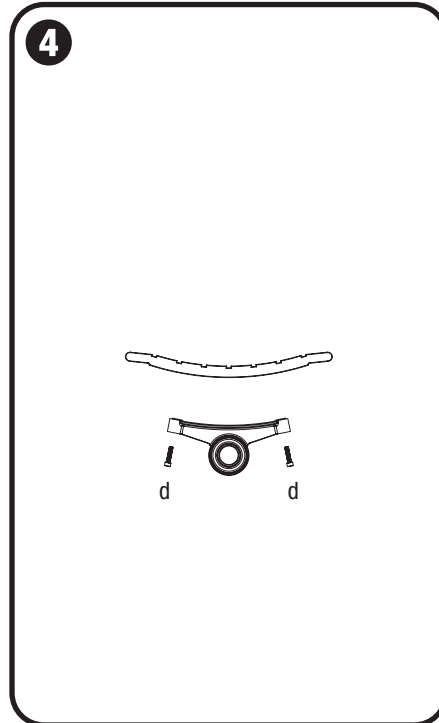
## STEP BY STEP FOR WALL MOUNT CONFIGURATIONS.



### For configurations with backed seats

- Position backed seat on seat bracket ensuring that mounting holes line up.
- Insert M8 x 35 socket head cap bolts (d) using an M8 hex key to secure backed seat to seat bracket.
- Tighten bolts until snug.

NOTE: Forms+Surfaces recommends applying Loctite® or similar thread-locking adhesive.



### For configurations with backless seats

- Position backless seat on seat bracket ensuring that mounting holes line up.
- Insert M8 x 35 socket head cap bolts (d) using an M8 hex key to secure backed seat to seat bracket.
- Tighten bolts until snug.

NOTE: Forms+Surfaces recommends applying Loctite® or similar thread-locking adhesive.