

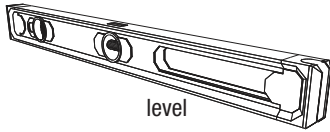
TRANSIT™ SEATING

CAST-IN-PLACE INSTALLATION INSTRUCTIONS

TOOLS NEEDED

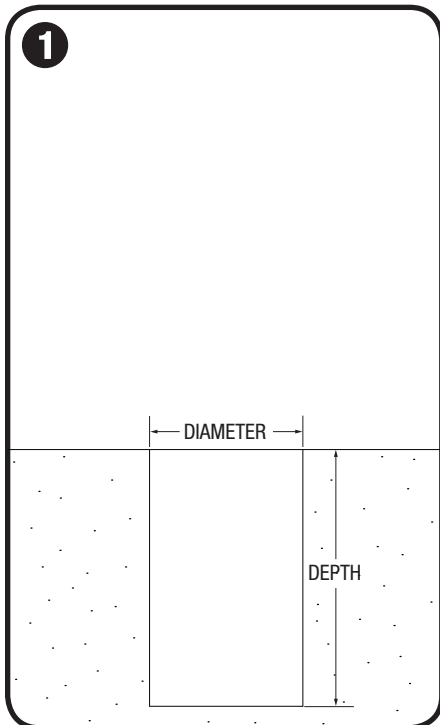


tape measure



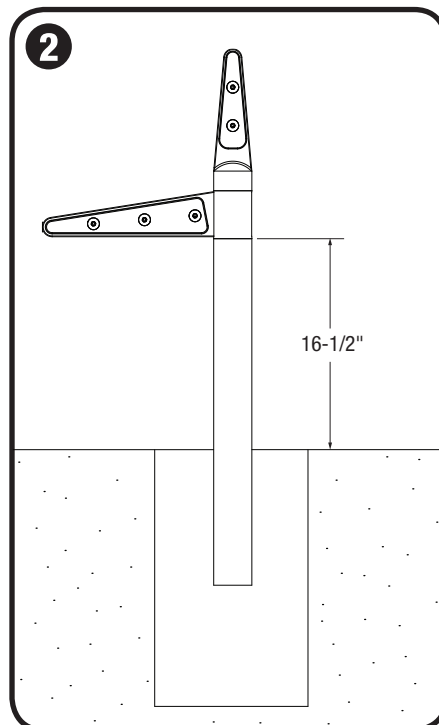
level

STEP BY STEP FOR ALL CAST-IN-PLACE TRANSIT SEATING (SBTRA-1BA SHOWN)



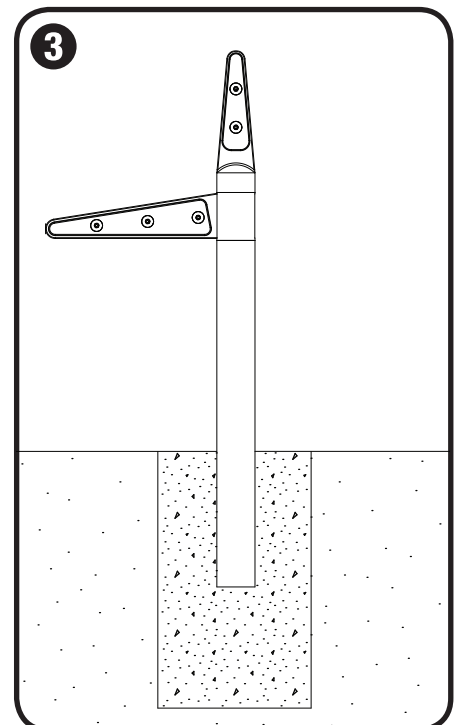
Create spaces for footers

- A sufficient footer size depends on frost and other conditions to be determined by the installer. A minimum of a 12" diameter x 20" deep footer per leg support is recommended.



Position and support seating

- Position seating in desired final location and support unit so concrete can be poured in hole around each leg support.
- The recommended height from ground level to bottom of seat casting on leg support is 16-1/2".
- Use level to ensure seat and leg supports are level.



Pour concrete footer

- Mix concrete and pour footer according to concrete manufacturer's instructions.
- As soon as the footer is poured, re-measure to verify height and level.
- Allow concrete to cure completely according to concrete manufacturer's instructions before removing any temporary supports.