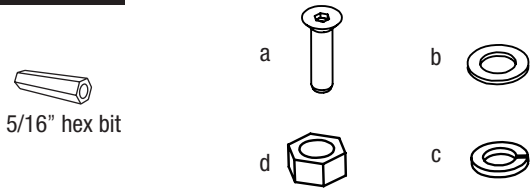


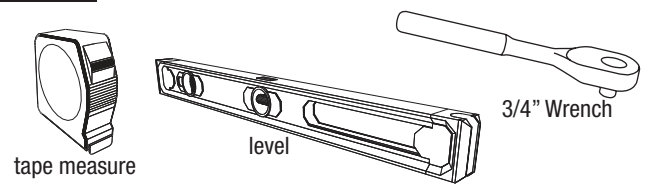
TRANSIT™ SEATING

CAST-IN-PLACE INSTALLATION INSTRUCTIONS

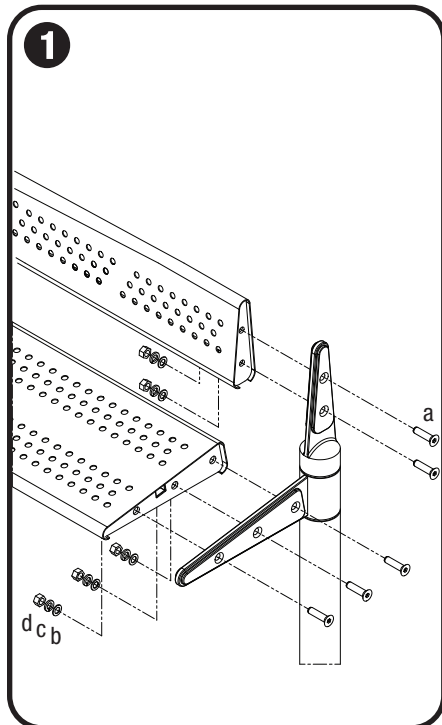
MATERIALS INCLUDED



TOOLS NEEDED

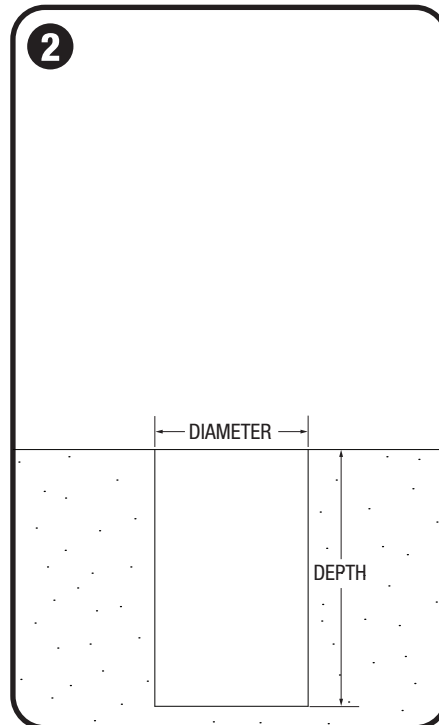


STEP BY STEP FOR ALL CAST-IN-PLACE TRANSIT SEATING (SBTRA-1BA SHOWN)



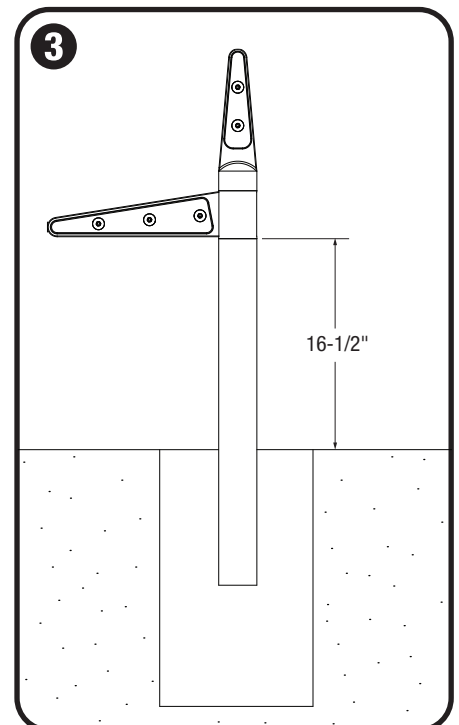
Attach bench seat (and back if required)

- Position bench back against leg as shown first (if required).
- Install 1/2"-13 x 2" socket head cap screw (a) through leg and bench back. Slide 1/2" stainless steel flat washer (b) then 1/2" stainless steel lock washer (c) onto bolt.
- Apply LOCTITE® 243™ thread locker or similar to fastener threads then thread 1/2"-13 stainless steel hex nut (d) onto screw.
- Tighten nut securely using 5/16" hex bit and ratchet and 3/4" wrench.
- Repeat process for fasteners in bench seat.



Create space for footers

- A sufficient footer size depends on frost and other conditions to be determined by the installer. A minimum of a 12" diameter x 20" deep footer per leg support is recommended.



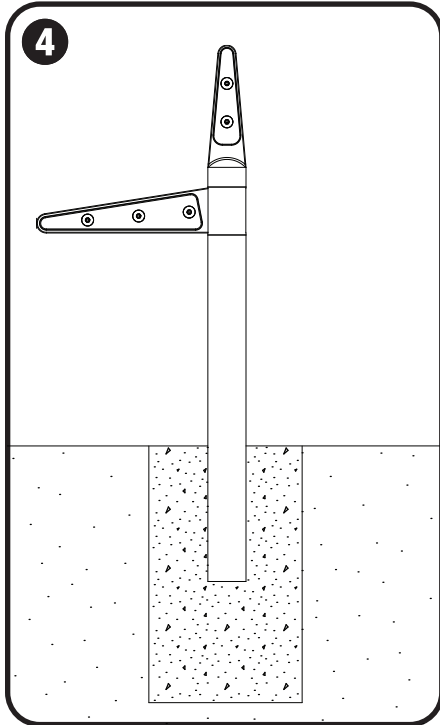
Position and support seating

- Position seating in desired final location and support unit so concrete can be poured in hole around each leg support.
- The recommended height from ground level to bottom of seat casting on leg support is 16-1/2".
- Use level to ensure seat and leg supports are level.

TRANSIT™ SEATING

CAST-IN-PLACE INSTALLATION INSTRUCTIONS

STEP BY STEP FOR ALL CAST-IN-PLACE TRANSIT SEATING (SBTRA-1BA SHOWN)



Pour concrete footer

- Mix concrete and pour footer according to concrete manufacturer's instructions.
- As soon as the footer is poured, re-measure to verify height and level.
- Allow concrete to cure completely according to concrete manufacturer's instructions before removing any temporary supports.