

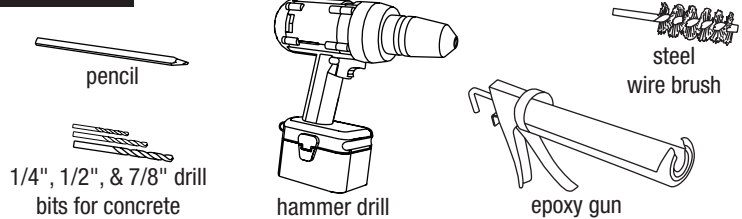
# TRIO™ TABLE ENSEMBLE

## SURFACE MOUNT INSTALLATION INSTRUCTIONS

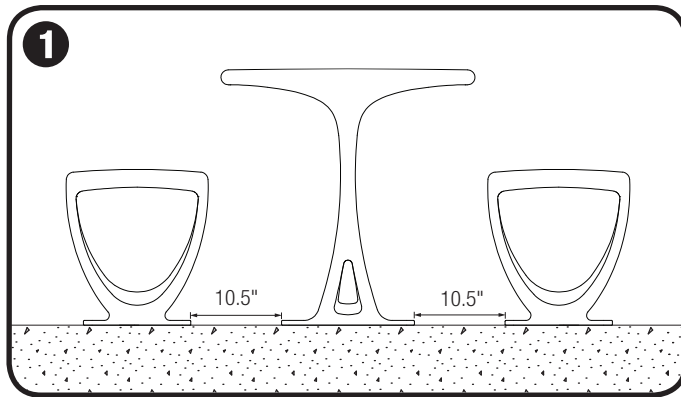
### MATERIALS INCLUDED



### TOOLS NEEDED

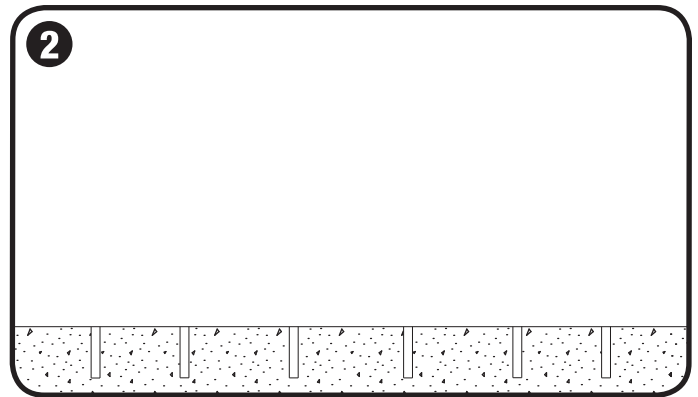


### STEP BY STEP FOR ALL TRIO TABLE ENSEMBLES



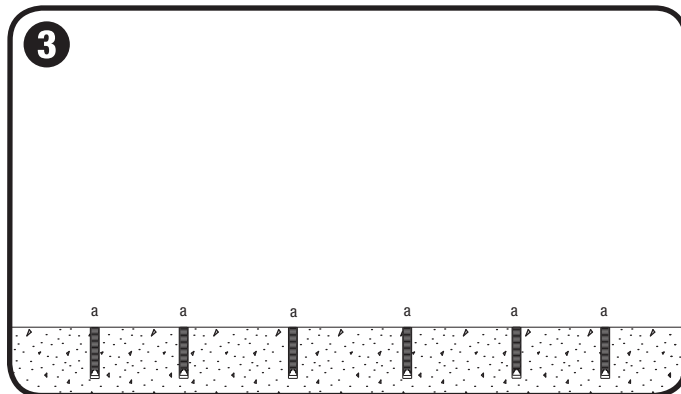
#### Mark hole locations

- Place benches and table in desired location. Mark center of each hole location with a pencil.
- The recommended distance between the bench bases and table base is 10.5".  
Note: Ensure that the feet of the benches and table are level and even with the ground surface. There must be no gapping.



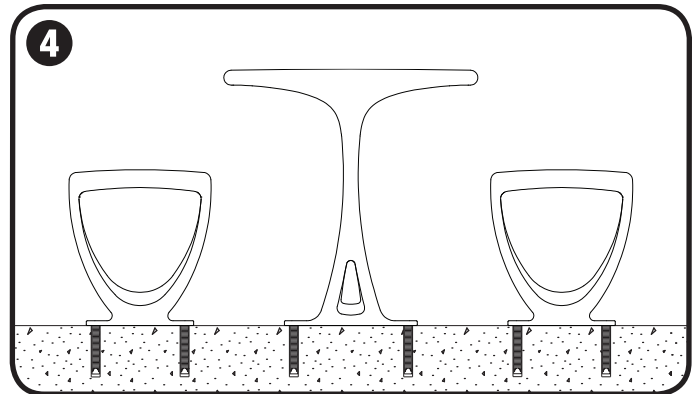
#### Drill holes

- Use hammer drill to drill 5" deep x 7/8" diameter anchor hole at each marked location using a 7/8" drill bit suitable for concrete drilling.  
NOTE: Forms+Surfaces recommends starting holes with 1/4" diameter drill bit followed by 1/2" and finally 7/8" for maximum accuracy.



#### Fill holes & insert anchors

- Use compressed air and steel wire brush to clean each anchor hole in accordance with epoxy instructions.
- Use epoxy in epoxy gun to fill each anchor hole 5/8 of the hole depth in accordance with epoxy instructions.
- Insert 1/2"-13 x 5" epoxy anchor (a) into each anchor hole so top is flush with ground. Allow proper curing time according to epoxy cure schedule.



#### Position benches and table

- After recommended curing time, position benches and table over anchors so that mounting holes line up with anchors.

T 800.451.0410 | [www.forms-surfaces.com](http://www.forms-surfaces.com)

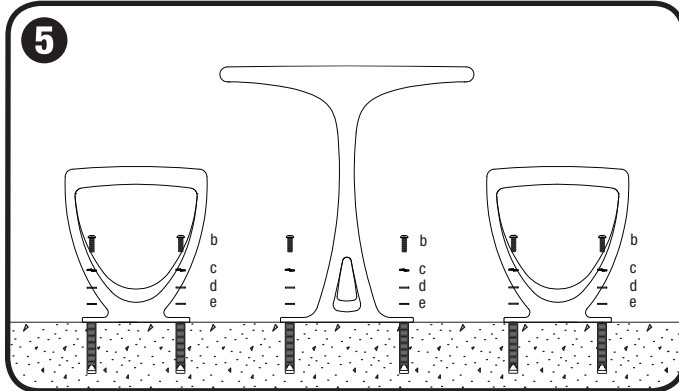
**FORMS+SURFACES®**

© 2014 Forms+Surfaces® | All dimensions are nominal. Specifications and pricing subject to change without notice. For the most current version of this document, please refer to our website at [www.forms-surfaces.com](http://www.forms-surfaces.com).

# TRIO™ TABLE ENSEMBLE

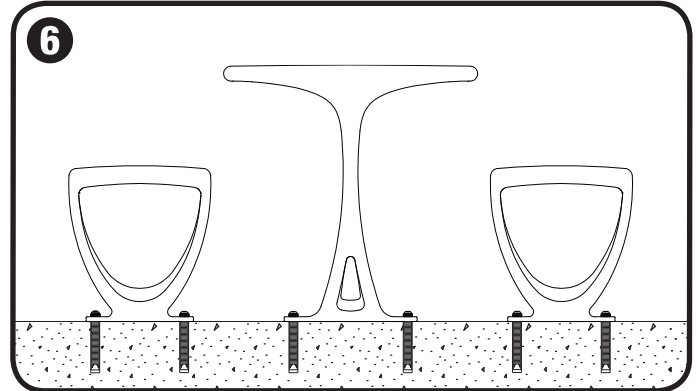
SURFACE MOUNT INSTALLATION INSTRUCTIONS

## STEP BY STEP FOR ALL TRIO TABLE ENSEMBLES



### Attach benches and table

- Slide 1/2" stainless steel lock washer (c), 1/2" stainless steel flat washer (d), and 1/2" nylon flat washer (e) onto each 1/2"-13 x 1-1/2" tamper-resistant button head cap screw (b).
- Insert screws into mounting holes in table and benches and thread into anchors using provided 5/16" hex bit for tamper-resistant screws.



### Tighten screws

- Tighten screws until snug.