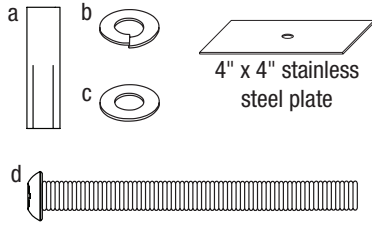


UNIVERSAL™ PLANTER

SURFACE MOUNT WITH CONCRETE BASE INSTALLATION INSTRUCTIONS

MATERIALS INCLUDED

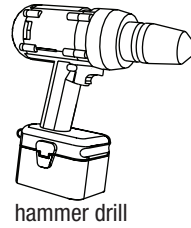
5/16" hex bit for
tamper-resistant
screws



TOOLS NEEDED

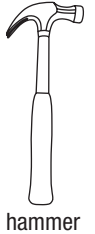
pencil

3/16", 3/8" & 5/8" drill
bits for concrete

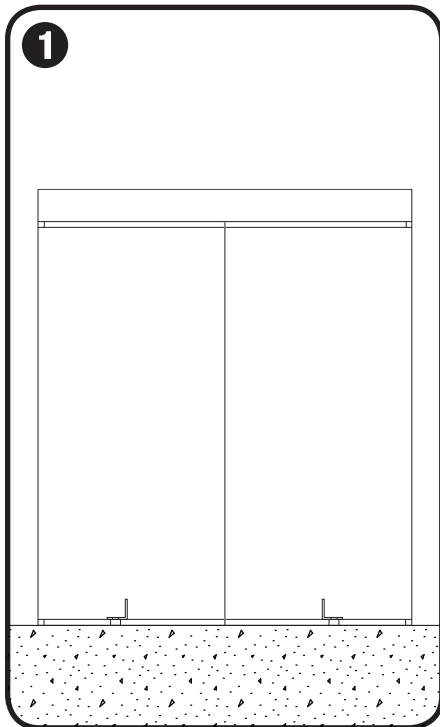


steel
wire brush

1/4" punch



STEP BY STEP FOR ALL SURFACE MOUNTED UNIVERSAL PLANTERS WITH CONCRETE BASES



Mark hole location

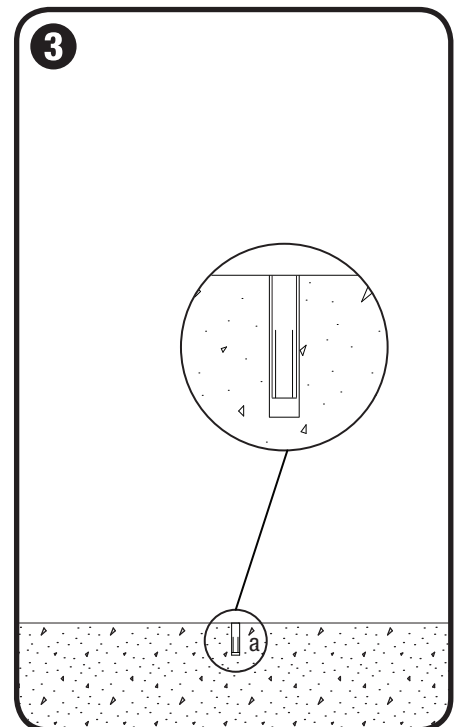
- Place receptacle in desired location. Mark center of center hole location in base with a pencil.



Drill hole

- Use hammer drill to drill 2-1/4" deep x 5/8" diameter anchor hole at marked location using a 5/8" drill bit suitable for concrete drilling.

NOTE: Forms+Surfaces recommends starting hole with 3/16" diameter drill bit followed by 3/8" and finally 5/8" for maximum accuracy.



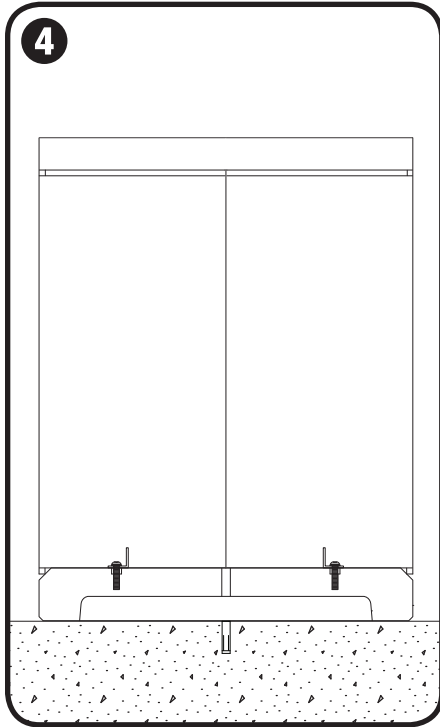
Insert & set anchor

- Use compressed air and steel wire brush to clean anchor hole.
- Insert 1/2"-13 x 2" anchor (a) into anchor hole and use hammer to tap anchor top flush with ground level.
- Use 1/4" punch and hammer to set anchor by driving down the center of anchor until it stops.

UNIVERSAL™ PLANTER

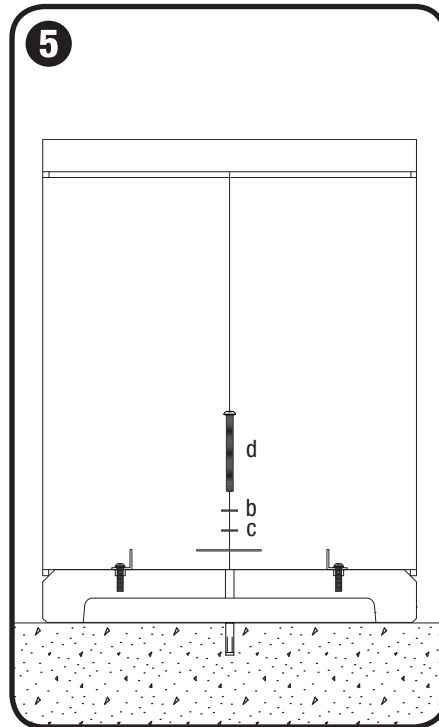
SURFACE MOUNT WITH CONCRETE BASE INSTALLATION INSTRUCTIONS

STEP BY STEP FOR ALL SURFACE MOUNTED UNIVERSAL PLANTERS WITH CONCRETE BASES



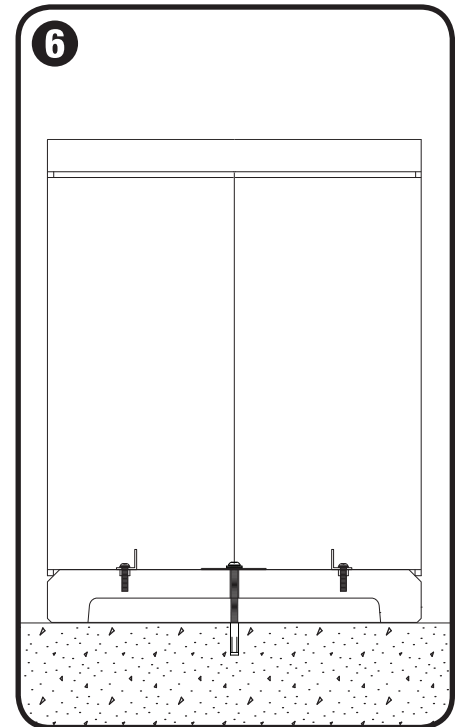
Position receptacle

- Position receptacle so that center mounting hole lines up with anchor.



Attach receptacle

- Slide 1/2" stainless steel lock washer (b), then 1/2" stainless steel flat washer (c) and 4" x 4" stainless steel plate onto 1/2"-13 x 5" tamper-resistant button head cap screw (d).
- Insert screw into center mounting hole in base and thread into anchor using provided 5/16" hex bit for tamper-resistant screws.



Tighten screw

- Tighten screw until snug.