



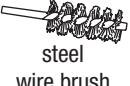
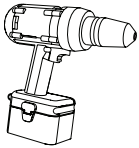
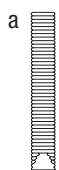




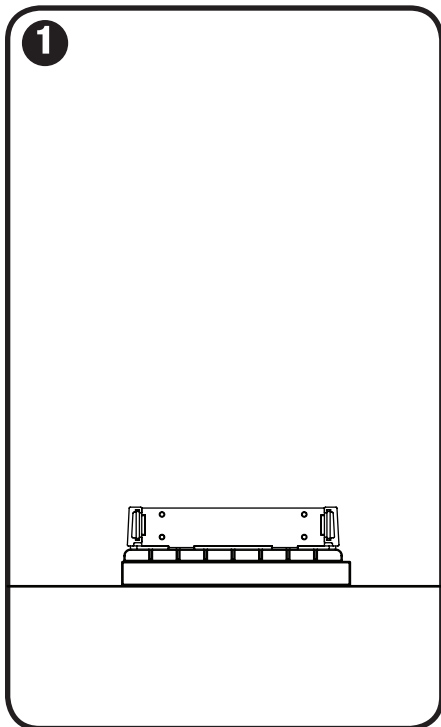


VECTOR SEATING SYSTEM

INSTALLATION INSTRUCTIONS

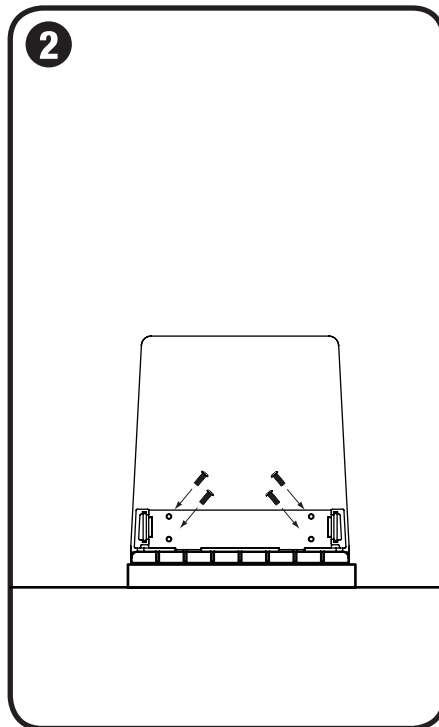
MATERIALS INCLUDED		TOOLS NEEDED			
					
					

STEP BY STEP FOR VECTOR SEATING SYSTEM TRI-HUB CONFIGURATION



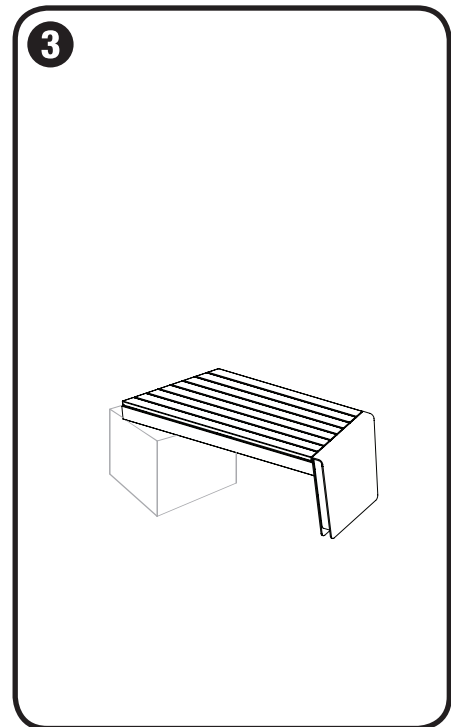
1 Place bench, top down

- Securely place bench, top down, on top of a padded surface.



2 Attach legs

- Position leg with edge of bench seat.
- Insert 3/8" - 16 x 3/4" tamper-resistant button head cap screw (b) into mounting holes in bench and thread into holes using provided 7/32" hex bit for tamper-resistant screws.
- Repeat with all benches ensuring that end/intermediate legs are used appropriately.

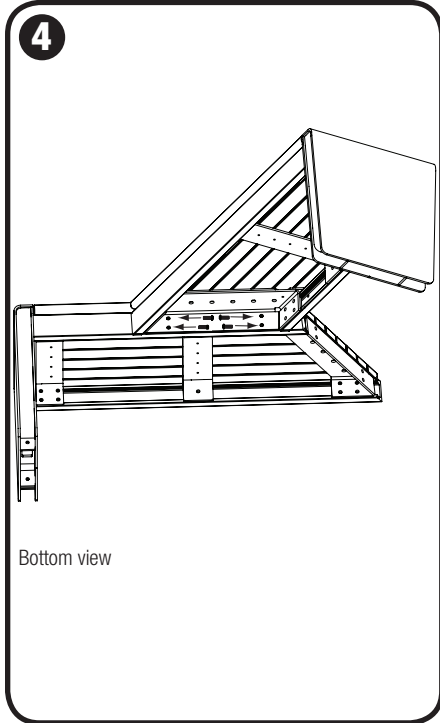


3 Position bench

- Carefully turn bench right side up; you will need another person to hold the bench and/or a sturdy box to provide support until benches are attached; they will not stand alone. Use padding where necessary.
- Position bench in desired location. Be sure that the space allows enough room for full configuration.

VECTOR SEATING SYSTEM

STEP BY STEP FOR VECTOR SEATING SYSTEM TRI-HUB CONFIGURATION

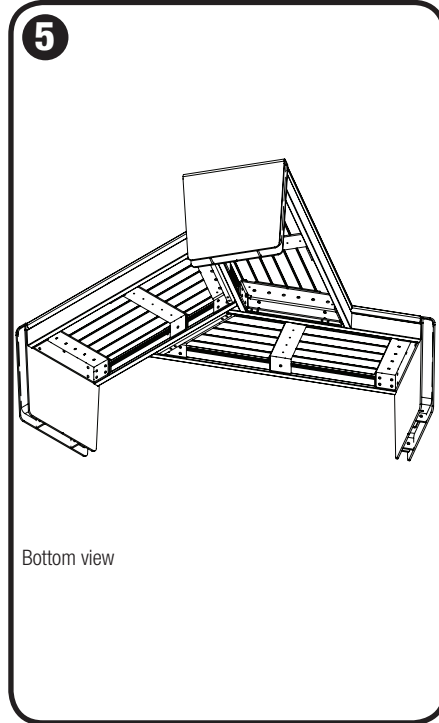


Bottom view

Attach second 120° bench

- Position the two benches so that connection holes align.
- Once connection holes are aligned insert 3/8"-16 x 3/4" tamper-resistant button head cap screw (b) into bench connection holes using provided 7/32" hex bit for tamper resistant screws.

Note: Although two benches are connected they will not stand alone until the third bench is completely attached. You will still need a person and/ or sturdy box to support the configuration after this step.

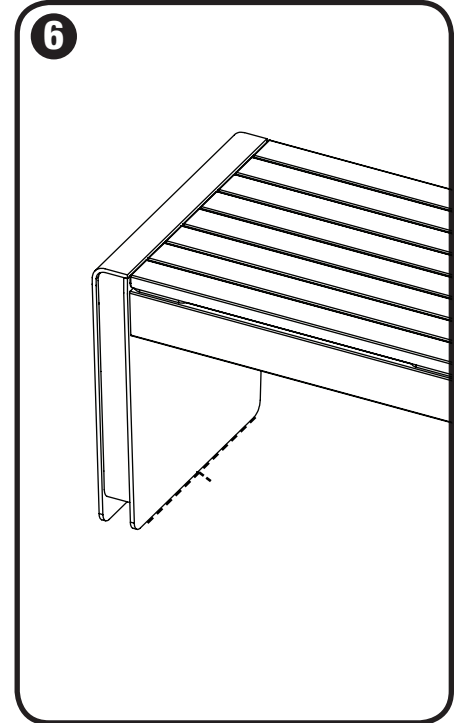


Bottom view

Attach third 120° bench

- Position the third bench so that the connection holes align.
- Once connection holes are aligned insert 3/8"-16 x 3/4" tamper-resistant button head cap screw (b) into bench connection holes using provided 7/32" hex bit for tamper resistant screws.

Note: If the Tri-hub is surface mounted continue on to step 6, otherwise installation is complete.

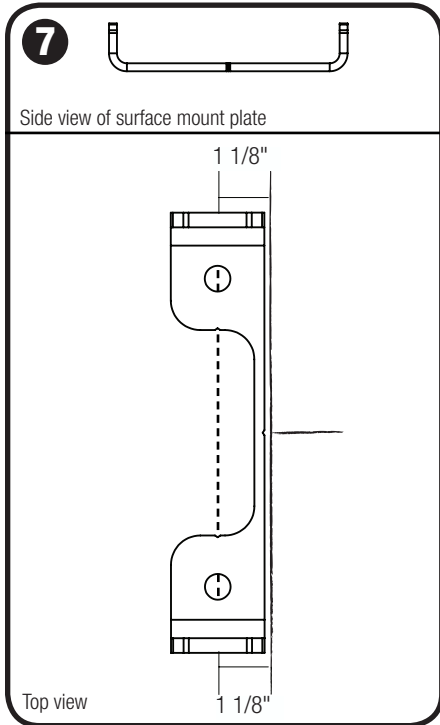


Mark surface mount location

- Once module is in the desired location, mark the ground along the inside of each leg including the center notch, indicated by the dashed line.
- Carefully move bench to the side once mounting surface is marked.

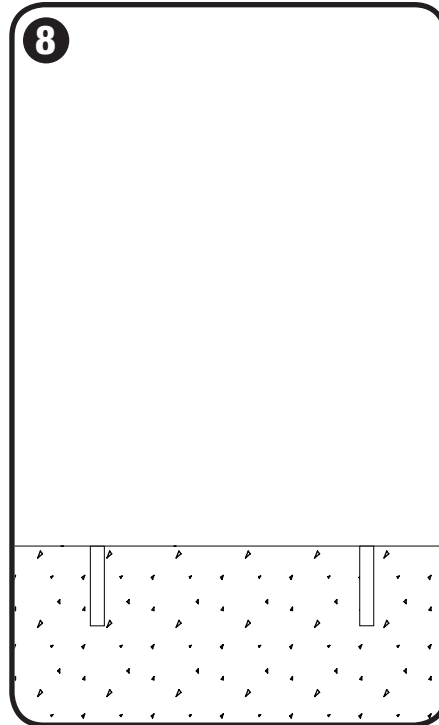
VECTOR SEATING SYSTEM

STEP BY STEP FOR VECTOR SEATING SYSTEM TRI-HUB CONFIGURATION



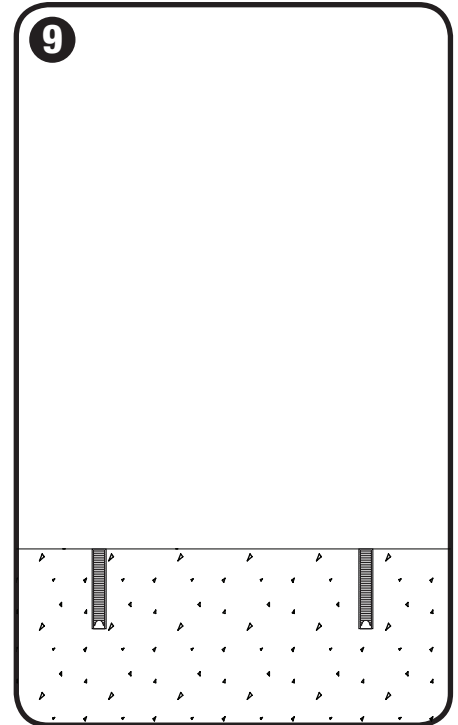
Position surface mount plate

- Measure and mark 1 1/8" from surface mount mark to find the surface mount plate center line, indicated by the dashed line.
- Position the surface mount plate by first aligning the center notch with the center notch line.
- Next, align the mounting holes and positioning notches to the surface mount plate center line.
- Mark the center of each mounting hole.



Drill holes

- Use hammer drill to drill 4.5" deep x 3/4" diameter anchor hole at each marked location using a 3/4" drill bit suitable for concrete drilling.
- Note: Forms+Surfaces recommends starting holes with 1/4" diameter drill bit followed by 1/2" and finally 3/4" for maximum accuracy.



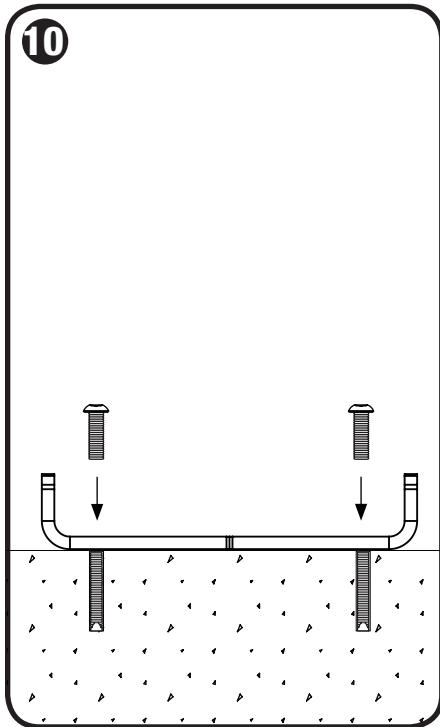
Fill holes & insert anchors

- Use compressed air and steel wire brush to clean each anchor hole in accordance with epoxy instructions.
- Use epoxy in epoxy gun to fill each anchor hole 5/8 of the hole depth in accordance with epoxy instructions
- Insert 3/8"-16 x 4-1/4" epoxy anchor (a) into each anchor hole so anchor top is flush with ground. Allow proper curing time according to cure schedule on epoxy instructions before moving on to Step 10.

VECTOR SEATING SYSTEM

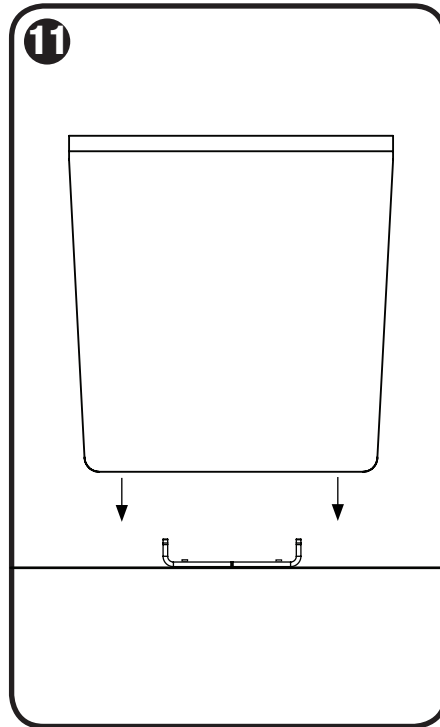
INSTALLATION INSTRUCTIONS

STEP BY STEP FOR VECTOR SEATING SYSTEM TRI-HUB CONFIGURATION



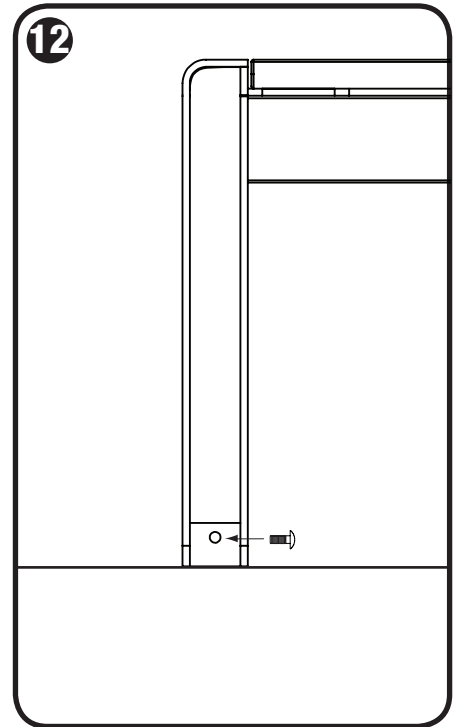
Attach surface mount plate

- Position surface mount plate so that mounting holes line up with anchors.
- Insert 3/8" -16 x 1-1/2" tamper-resistant button cap screws (c) into mounting holes in surface mount plate.



Fit module onto surface mount plate

- Lift module up and slide leg(s) onto mounted surface mount plate(s).



Attach leg to surface mount plate

- Ensure that leg mounting hole and surface mount plate mounting hole align.
- Insert 3/8" -16 x 3/4" tamper-resistant button head cap screw (b) into bench connection holes using provided 7/32" hex bit for tamper resistant screws.