



APTOS™ PEDESTRIAN

PRODUCT DATA





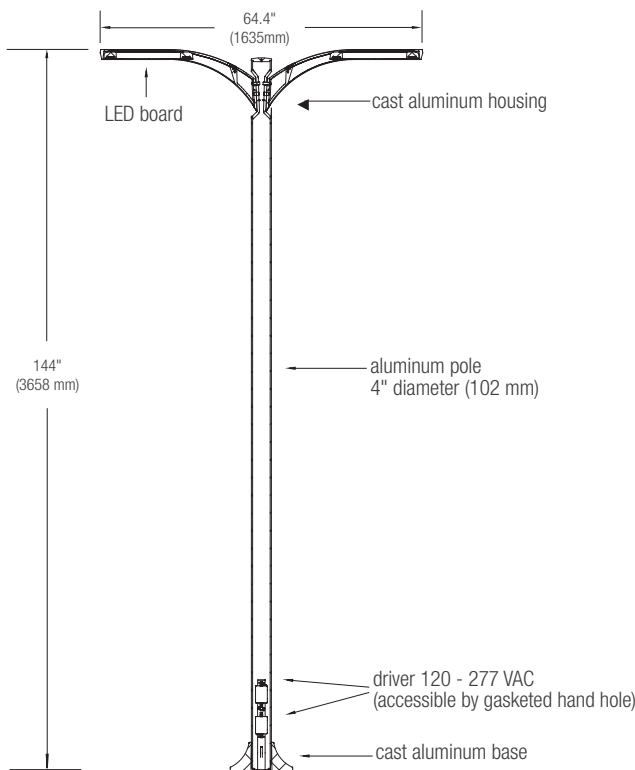
Aptos Pedestrian Lighting blends graceful lines, performance LEDs, and durable materials and construction. Inspired by natural forms, fixtures consist of one or two luminaires on a slim 4" dia. pole. The design's curves and use of negative space echo those of the Aptos bollard, creating visual lightness and a distinctive profile. Downward-facing illumination casts soft-edge light patterns on the ground while reducing glare. Aptos Pedestrian Lighting and coordinating Aptos Bollards with 3000K LEDs are approved by the International DarkSky Association to minimize light pollution.

MATERIAL & CONSTRUCTION DETAILS

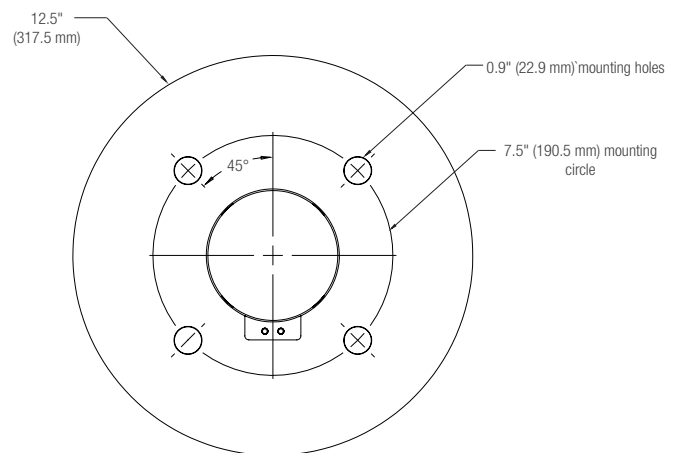
INSTALLATION & MAINTENANCE

CONFIGURATIONS	LED & DRIVER	INSTALLATION
<ul style="list-style-type: none"> Aptos Pedestrian is available with one or two 30" luminaires on a 4" diameter x 12' high pole. Pole has gasketed hand hole. Weight: single luminaire configuration weighs 88 lbs; double luminaire configuration weighs 116 lbs. 	<ul style="list-style-type: none"> Features advanced LED technology with 50W driver. LED driver input power is 120 - 277 VAC. Driver has forward phase, reverse phase, and 0-10V dimming capabilities. Cree® LEDs available in 3000K warm white or 4000K neutral white. 	<ul style="list-style-type: none"> 12.5" diameter structural aluminum base plate with cast aluminum base cover and 3/4"-10 x 24" J-bolt anchors. Installation of a surge protector as part of each units wiring is recommended. Stainless steel hardware sold separately. Templates available upon request.
MATERIALS & FINISHES		MAINTENANCE
<ul style="list-style-type: none"> Luminaire heads and base are corrosion-resistant cast aluminum with a powdercoat finish. Pole is heavy wall extruded aluminum with a powdercoat finish. See the Forms+Surfaces Powdercoat Chart for details. Custom RAL colors are available for an upcharge. Due to the inherent nature of metal castings, gloss powdercoats are not offered for cast components. Lens is frosted acrylic. 		<ul style="list-style-type: none"> Metal surfaces can be cleaned as needed using a soft cloth or brush with warm water and a mild detergent. Avoid abrasive cleaners.

NOMINAL DIMENSIONS



BASE PLATE MOUNTING DETAIL





LIGHT ENGINE DESCRIPTION

LED ENGINE	DESCRIPTION	LUMINAIRE LUMENS*	B.U.G. RATING	STARTING TEMPERATURE °C	CLASSIFICATION
3000K LED (single luminaire)	50W LED driver	2536	B1-U1-G1	-30	TYPE II
4000K LED (single luminaire)	50W LED driver	2536	B1-U1-G1	-30	TYPE II
3000K LED (double luminaire)	(2) 50W LED drivers	5202	B2-U1-G1	-30	TYPE VS
4000K LED (double luminaire)	(2) 50W LED drivers	5202	B2-U1-G1	-30	TYPE VS

*LED lumens represents the absolute photometry for the luminaire, and indicates the lumens out of the entire fixture.

NOTE: Polar candela and isofootcandle plots can be found on the Aptos Pedestrian product page on our website.

CERTIFICATION

- ETL and C-ETL listed for wet locations.
- Aptos Pedestrian 3000K is International DarkSky Approved



ENVIRONMENTAL CONSIDERATIONS

- Please refer to the Aptos Pedestrian Lighting Environmental Data Sheets for detailed environmental impact information.
- Metal components have a long life cycle and are 100% recyclable.
- Standard powdercoat finishes are no-VOC; non-standard powdercoat finishes are no- or low-VOC, depending on color.
- Low maintenance; easy to disassemble.
- The low power consumption of LEDs reduces energy consumption.

MODEL NUMBERS AND DESCRIPTIONS

MODEL	DESCRIPTION
LPAPT-412-1L	Aptos Pedestrian, 12-foot, single luminaire
LPAPT-412-2L	Aptos Pedestrian, 12-foot, double luminaire

PRODUCT OPTIONS

The following options are available for an upcharge

Custom RAL powdercoat color	Add stainless steel mounting hardware
-----------------------------	---------------------------------------

LEAD TIME: 6 to 8 weeks. Shorter lead times may be available upon request. Please contact us to discuss your specific timing requirements.

PRICING: Please contact us at **800.451.0410** or **sales@forms-surfaces.com**. At Forms+Surfaces, we design, manufacture and sell our products directly to you. Our sales team is available to assist you with questions about our products, requests for quotes, and orders. Territory Managers are located worldwide to assist with the front-end specification and quoting process, and our in-house Project Sales Coordinators follow your project through from the time you place an order to shipment.

TO ORDER SPECIFY: Quantity, powdercoat color and color temperature. Quote/Order Forms are available on our website to lead you through the specification process in a simple checkbox format.