



**BEVEL™** LITTER RECEPTACLE

PRODUCT DATA





# BEVEL™ LITTER RECEPTACLE

PRODUCT DATA

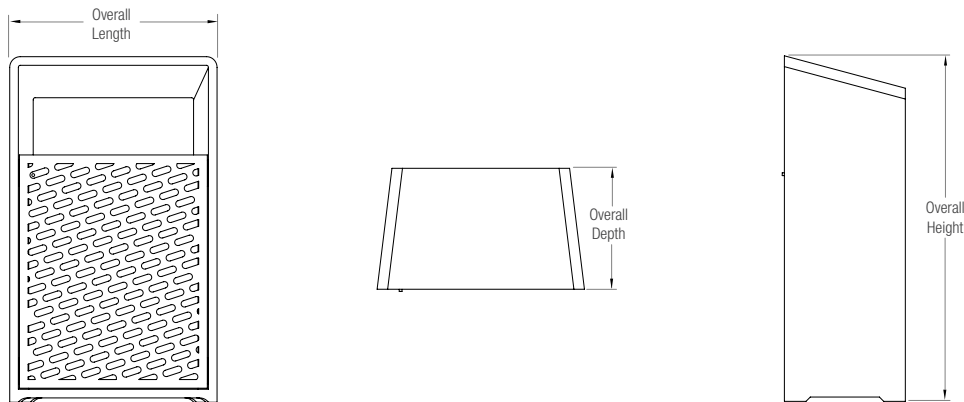
The **Bevel Litter Receptacle** is an elegant side-opening design that complements the Bevel Bench. TENSU Ultra High Performance Concrete (UHPC) and a door of powdercoated cast aluminum make Bevel a durable match for public spaces of all kinds.

## MATERIAL & CONSTRUCTION DETAILS

## INSTALLATION & MAINTENANCE

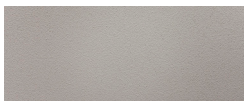
BODY	DOOR	LINER	INSTALLATION	MAINTENANCE
<ul style="list-style-type: none"> <li>Receptacle body is made of TENSU UHPC with an intrinsic UHPC finish in Natural color.</li> <li>TENSU surfaces are protected by an invisible hydrophobic treatment.</li> <li>Slight variations in color and surface texture can occur due to the nature of the TENSU manufacturing process.</li> </ul>	<ul style="list-style-type: none"> <li>Receptacle door is cast aluminum with a powdercoat finish.</li> <li>See the Forms+Surfaces Powdercoat Chart for details. Custom RAL colors are available for an upcharge.</li> </ul>	<ul style="list-style-type: none"> <li>Bevel uses replaceable internal liners designed to be used with or without plastic litter bags.</li> <li>Liners can be specified with tensioned rubber bag straps and drain holes.</li> <li>Liners are molded from durable black polyethylene with a UL94HB fire rating.</li> </ul>	<ul style="list-style-type: none"> <li>Bevel Litter Receptacle can be freestanding or surface mounted.</li> <li>Surface mount models include stainless steel mounting hardware.</li> </ul>	<ul style="list-style-type: none"> <li>TENSU surfaces can be cleaned as needed using a soft cloth or brush with water and a mild detergent. Surfaces should be thoroughly rinsed and allowed to dry.</li> <li>Avoid abrasive cleaners.</li> </ul>

## NOMINAL DIMENSIONS



MODEL	OVERALL LENGTH	OVERALL DEPTH	OVERALL HEIGHT	WEIGHT	CAPACITY
SLBVL-122A	25" (635 mm)	14" (356 mm)	40" (1016 mm)	210 lbs (95 kg)	22 gallons (83 liters)

## UHPC COLOR: NATURAL





## BEVEL™ LITTER RECEPTACLE

PRODUCT DATA

### ENVIRONMENTAL CONSIDERATIONS

- Please refer to the Bevel Litter Receptacle Environmental Data Sheet for detailed environmental impact information.
- Bevel Litter Receptacles are composed primarily of natural materials local to manufacturing.
- All Bevel Litter Receptacles use a low energy, resource efficient manufacturing and curing process.
- All receptacle components disassemble at end of life and are fully recyclable.
- Low maintenance and extremely long service life.
- Powdercoat finishes are no- or low-VOC, depending on color.
- Manufactured in the USA.

### MODEL NUMBER AND DESCRIPTION

MODEL	DESCRIPTION
SLBVL-122A	Bevel Litter Receptacle, side opening, TENSL UHPC

### PRODUCT OPTIONS

The following options are available for an upcharge

Premium Texture Colors from Forms+Surfaces Powdercoat Chart
Custom RAL powdercoat color

**LEAD TIME:** Please contact us to discuss your specific timing requirements.

**PRICING:** Please contact us at **800.451.0410** or **sales@forms-surfaces.com**. At Forms+Surfaces, we design, manufacture and sell our products directly to you. Our sales team is available to assist you with questions about our products, requests for quotes, and orders. Territory Managers are located worldwide to assist with the front-end specification and quoting process, and our in-house Project Sales Coordinators follow your project through from the time you place an order to shipment.

**TO ORDER SPECIFY:** Quantity, model, powdercoat color for door, and freestanding or surface mount. Quote/Order Forms are available on our website to lead you through the specification process in a simple checkbox format.

**NOTE:** Because different computers, monitors, and printers render colors and textures differently, actual finishes may vary from those shown here.