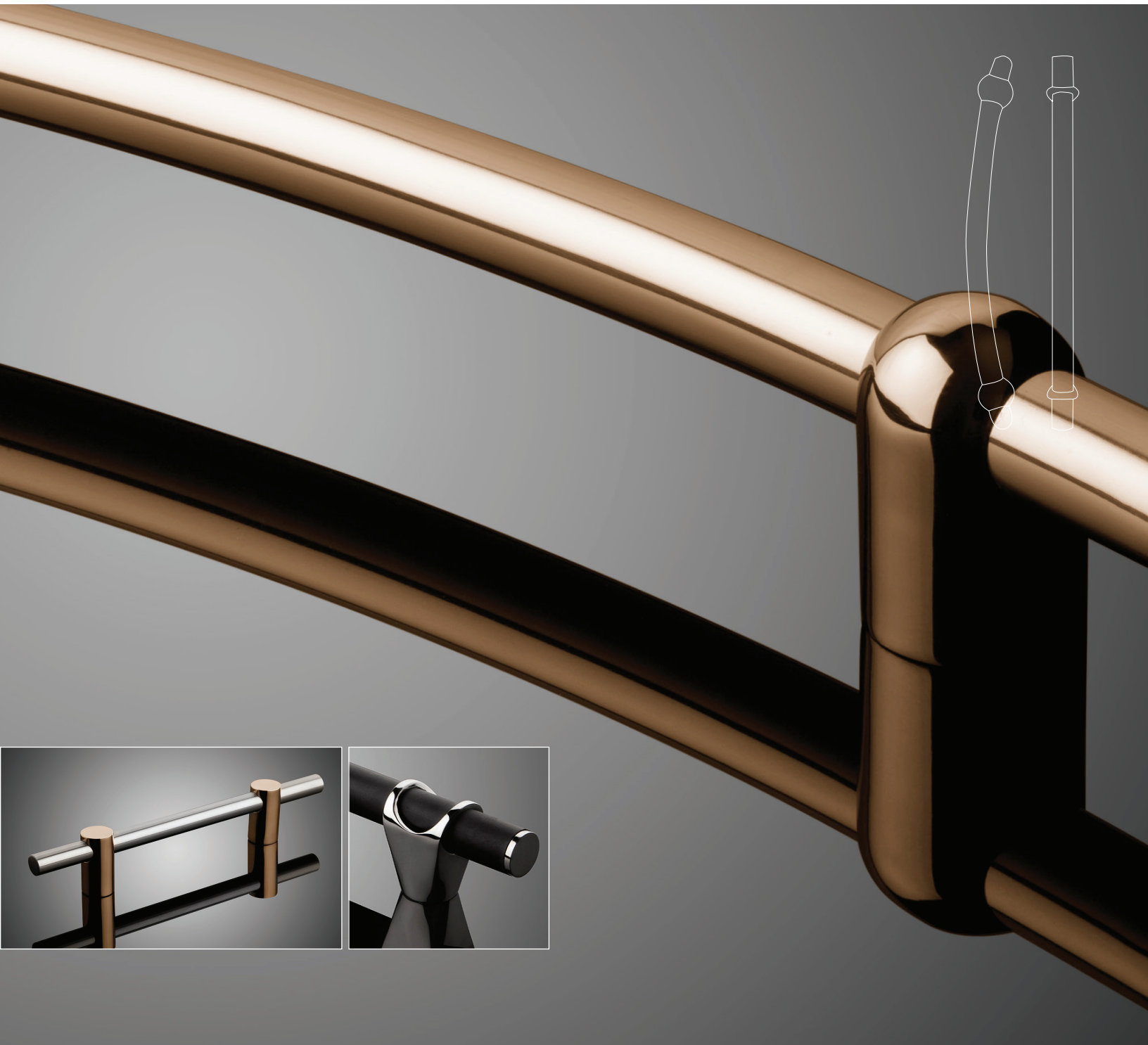




COMPASS™ DOOR PULLS

PRODUCT DATA





COMPASS™ DOOR PULLS

PRODUCT DATA

Offering a high-design, low-cost alternative to tubular door pulls, the Compass Collection makes it easy to create a custom look at a “tubular” price. Choose from multiple grip and standoff designs, mix metals and finishes, and combine grips with standoffs in almost limitless variations. Compass Door Pulls are grouped by grip diameter into two distinct series: Series 800 and Series 1200. Based on the collection’s unique “kit of parts” format, both give specifiers countless ways to get creative with their door pull solutions.

SERIES DETAILS

Design Elements	Individual Compass Door Pulls consist of two basic elements that must be specified separately: Grips and Standoffs. <ul style="list-style-type: none"> • GRIPS: The “graspable” part of the pull. Design options include straight or curved versions as shown on pages 3 and 4. • STANDOFFS: The two (or more) elements that support the grip. Design options vary and are shown on pages 3 and 4.
Sizes	Sizing of Compass Door Pulls is largely defined by the customer, not by pre-set options. In most cases, overall lengths and/or center-to-center dimensions are variable and allow customers to specify grip lengths and/or standoff spacing to meet project-specific requirements.
Series 800	<ul style="list-style-type: none"> • Series 800 is a medium-scale version of Compass with .875" (22mm) diameter grips. Grips are available in stainless steel only. • Straight Series 800 grips with flat ends are available in any length up to 92" (2337mm). Straight, Arc and Semi-Circle grips with round ends are only available in the overall lengths shown in the Design Options section on page 3. Center-to-center spacing of standoffs on grips is defined by the customer.
Series 1200	<ul style="list-style-type: none"> • Series 1200 is a larger-scale version of Compass with 1.25" (32mm) diameter grips and proportionally larger standoffs. Grips are available in stainless steel, bronze and tactile black Santoprene® elastomer. • Straight Series 1200 grips with flat or round ends are available in any length up to 100" (2540mm). Arc grips with flat or round ends are only available 24" (610mm) oal as shown in the Design Options section on page 4. Center-to-center spacing of standoffs on grips is defined by the customer. • In addition to door pull applications, Compass Series 1200 is also offered as an ADA compliant handrail in our LEVELc and LEVELe elevator interiors (excluding 912012). Please call or visit our website for more information on elevator handrail applications.

MATERIALS & FINISHES

		GRIPS		STANDOFFS	
		Series 800	Series 1200	Series 800	Series 1200
US32	Polished Stainless Steel	•	•	•	•
US32D	Satin Stainless Steel	•	•	•	•
SSS	Stippled Stainless Steel	•	•	•	•
US9	Polished Bronze		•	•	•
US10	Satin Bronze		•	•	•
US10B	Oil-Rubbed Bronze		•	•	•
SBR	Stippled Bronze		•	•	•
S10	Stippled Oil-Rubbed Bronze		•	•	•
*BLACK	Santoprene Elastomer		•		

*Black Santoprene elastomer grips are supplied with stainless steel or bronze ends finished to match the standoffs selected for your door pulls.

CONFIGURATION EXAMPLES



Left (Series 800) to right (series 1200):

GRIP

1. Arc, Round End, Stainless Steel
2. Straight, Flat End, Stainless Steel
3. Straight, Flat End, Santoprene
4. Arc, Round End, Stainless Steel

STANDOFFS

- Bullet, Bronze
- Ring, Stainless Steel
- Double Ring, Stainless Steel
- Clamshell, Bronze



COMPASS™ DOOR PULLS

PRODUCT DATA

INSTALLATION & MAINTENANCE

INSTALLATION	MAINTENANCE
<ul style="list-style-type: none"> • Compass Series 800 pulls may be single mounted on wood or metal doors. Refer to Mounting Option B2 (for Cylinder and Bullet only) shown below for additional information. They may be mounted back-to-back on wood, metal or glass doors. Refer to Mounting Options C1, C2, C3, C4 and C5 shown below for additional information. • Compass Series 1200 pulls may be single mounted or mounted back-to-back on wood, metal or glass doors (Clamshell cannot single mount on glass). Refer to Mounting Options B1, B2, B3, B4, B5, B6 and B7 or (for Clamshell only) C1, C2, C3, C4 and C5 shown below for additional information. • A thread-locking adhesive such as Loctite® is recommended for secure installation. 	<ul style="list-style-type: none"> • Compass Door Pulls are well-suited for interior or exterior use. Regular maintenance will help ensure the lasting beauty of each pull. For more information, please refer to <i>Door Hardware Care & Maintenance</i> found on our website.

MOUNTING OPTIONS For more information on mounting Compass Door Pulls, please refer to the *Hardware Installation Instruction Manual* found on our website.

MOUNTING SYSTEM "B" FOR SERIES 800 (CYLINDER AND BULLET ONLY) & SERIES 1200 DOOR PULLS						
B-1 Back-to-back mount on wood or metal door with Rota-Lok.	B-2 Single mount on glass door with end cap purchased separately.	B-3 Back-to-back mount on glass door with Rota-Lok.	B-4 Single mount on wood or metal door with through bolt.	*B-5 Concealed single mount on wood door with threaded insert and Rota-Lok.	B-6 "L" Configuration: Adapt one end of each pull for back-to back mounting with Rota-Lok. Specify "B" mounting for other ends.	B-7 Concealed single mount on aluminum frame door with Rota-Lok and customer's reinforcement.
*Forms+Surfaces offers but does not recommend concealed mounting on wood doors. Frequent or heavy use can compromise the integrity of this mounting.						

MOUNTING SYSTEM "C" FOR SERIES 800 & 1200 (CLAMHELL ONLY) DOOR PULLS				
C-1 Back-to-back mount on wood or metal door with shoulder bolt.	C-2 Concealed single mount on aluminum frame door with shoulder bolt and customer's reinforcement.	*C-3 Concealed single mount on wood door with shoulder bolt and threaded insert.	C-4 Back-to-back mount on glass door with shoulder bolt.	C-5 Single mount on wood or metal door with through bolt.
*Forms+Surfaces offers but does not recommend concealed mounting on wood doors. Frequent or heavy use can compromise the integrity of this mounting.				






GRIP DIMENSIONS	
SERIES 800	SERIES 1200



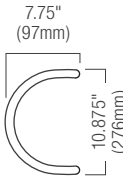


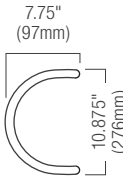


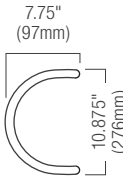



COMPASS™ DOOR PULLS

PRODUCT DATA

DESIGN OPTIONS - SERIES 800

SERIES 800 STANDOFFS - SOLID CAST STAINLESS STEEL & BRONZE																														
 <table border="1" style="margin: 0 auto;"> <tr><td>diameter</td><td>1.375" (35mm)</td></tr> <tr><td>projection</td><td>2.625" (67mm)</td></tr> </table>	diameter	1.375" (35mm)	projection	2.625" (67mm)	 <table border="1" style="margin: 0 auto;"> <tr><td>diameter</td><td>1.375" (35mm)</td></tr> <tr><td>projection</td><td>2.625" (67mm)</td></tr> </table>	diameter	1.375" (35mm)	projection	2.625" (67mm)	 <table border="1" style="margin: 0 auto;"> <tr><td>width</td><td>.75" (19mm)</td></tr> <tr><td>depth</td><td>1.25" (32mm)</td></tr> <tr><td>projection</td><td>2.625" (67mm)</td></tr> </table>	width	.75" (19mm)	depth	1.25" (32mm)	projection	2.625" (67mm)	 <table border="1" style="margin: 0 auto;"> <tr><td>width</td><td>.75" (19mm)</td></tr> <tr><td>depth</td><td>1" (25mm)</td></tr> <tr><td>projection</td><td>2.625" (67mm)</td></tr> </table>	width	.75" (19mm)	depth	1" (25mm)	projection	2.625" (67mm)	 <table border="1" style="margin: 0 auto;"> <tr><td>width</td><td>2.75" (70mm)</td></tr> <tr><td>depth</td><td>1.25" (32mm)</td></tr> <tr><td>projection</td><td>2.625" (67mm)</td></tr> </table>	width	2.75" (70mm)	depth	1.25" (32mm)	projection	2.625" (67mm)
diameter	1.375" (35mm)																													
projection	2.625" (67mm)																													
diameter	1.375" (35mm)																													
projection	2.625" (67mm)																													
width	.75" (19mm)																													
depth	1.25" (32mm)																													
projection	2.625" (67mm)																													
width	.75" (19mm)																													
depth	1" (25mm)																													
projection	2.625" (67mm)																													
width	2.75" (70mm)																													
depth	1.25" (32mm)																													
projection	2.625" (67mm)																													
920013 - BULLET	920014 - CYLINDER	*920010 - RING	*920011 - DOUBLE RING	920012 - CLAMSHELL																										
<p>*Series 800 Ring and Double Ring standoffs are slightly different in design compared to their Series 1200 counterparts. Series 800 standoffs return to the mounting surface with a rectangular cross-section. Series 1200 standoffs return to the mounting surface with a round cross-section.</p>																														

SERIES 800 GRIPS - .875" (22MM) DIA. STAINLESS STEEL																	
 <p style="text-align: center;">92" (2337mm)</p> <table border="1" style="margin: 0 auto;"> <thead> <tr> <th>model #</th> <th>oal</th> </tr> </thead> <tbody> <tr> <td>912001</td> <td>straight up to 14.75" (375mm)</td> </tr> <tr> <td>912002</td> <td>straight 15" to 34.75" (381mm to 883mm)</td> </tr> <tr> <td>912003</td> <td>straight 35" to 64.75" (889mm to 1645mm)</td> </tr> <tr> <td>912006</td> <td>straight 65" to 92" (1651mm to 2337mm)</td> </tr> </tbody> </table>	model #	oal	912001	straight up to 14.75" (375mm)	912002	straight 15" to 34.75" (381mm to 883mm)	912003	straight 35" to 64.75" (889mm to 1645mm)	912006	straight 65" to 92" (1651mm to 2337mm)	<table border="1" style="width: 100%;"> <tr> <td style="text-align: center;">  <p style="text-align: center;">14.75" (375mm)</p> </td> <td style="text-align: center;">920004 - ROUND END</td> </tr> <tr> <td style="text-align: center;">  <p style="text-align: center;">7.75" (97mm) 10.875" (276mm)</p> </td> <td style="text-align: center;">920005 - ROUND END</td> </tr> <tr> <td style="text-align: center;">  <p style="text-align: center;">4.375" (111mm) 14.25" (362mm)</p> </td> <td style="text-align: center;">920006 - ROUND END</td> </tr> </table>	 <p style="text-align: center;">14.75" (375mm)</p>	920004 - ROUND END	 <p style="text-align: center;">7.75" (97mm) 10.875" (276mm)</p>	920005 - ROUND END	 <p style="text-align: center;">4.375" (111mm) 14.25" (362mm)</p>	920006 - ROUND END
model #	oal																
912001	straight up to 14.75" (375mm)																
912002	straight 15" to 34.75" (381mm to 883mm)																
912003	straight 35" to 64.75" (889mm to 1645mm)																
912006	straight 65" to 92" (1651mm to 2337mm)																
 <p style="text-align: center;">14.75" (375mm)</p>	920004 - ROUND END																
 <p style="text-align: center;">7.75" (97mm) 10.875" (276mm)</p>	920005 - ROUND END																
 <p style="text-align: center;">4.375" (111mm) 14.25" (362mm)</p>	920006 - ROUND END																
920001, 02, 03, 46 - FLAT END	920006 - ROUND END																



COMPASS™ DOOR PULLS

PRODUCT DATA

PRICING - SERIES 800

Pricing does not include freight. No additional charge for mounting hardware. All pricing is for single units, not pairs.

**MODEL - GRIPS	STAINLESS STEEL	
920001 Straight, flat end up to 14.75" (375mm) oal	US32, US32D, SSS	\$125
920002 Straight, flat end 15" to 34.75" (381mm to 883mm) oal	US32, US32D, SSS	\$179
920003 Straight, flat end 35" to 64.75" (889mm to 1645mm) oal	US32, US32D, SSS	\$210
920046 Straight, flat end 65" to 92" (1651mm to 2337mm) oal	US32, US32D, SSS	\$241
920004 Straight, round end 14.75" (375mm) oal	US32, US32D, SSS	\$125
920005 Semi-circle, round end 10.875" (276mm) oal	US32, US32D, SSS	\$152
920006 Arc, round end 14.25" (362mm) oal	US32, US32D, SSS	\$152

**MODEL - STANDOFFS	STAINLESS STEEL		BRONZE	
920013 Bullet	US32, US32D, SSS	\$90	US9, US10, US10B, SBR, S10	\$141
920014 Cylinder	US32, US32D, SSS	\$100	US9, US10, US10B, SBR, S10	\$157
920010 Ring	US32, US32D, SSS	\$86	US9, US10, US10B, SBR, S10	\$136
920011 Double Ring	US32, US32D, SSS	\$100	US9, US10, US10B, SBR, S10	\$157
920012 Clamshell	US32, US32D, SSS	\$111	US9, US10, US10B, SBR, S10	\$174

MODEL - END CAPS (B-2 MOUNTING ONLY)	STAINLESS STEEL		BRONZE	
DT1300 End Cap, 1.375" (35mm) dia.	US32, US32D, SSS	\$58	US9, US10, US10B, SBR, S10	\$78






**Note: To avoid flexing, Series 800 standoffs should be spaced no more than 30" (762mm) c.c. on straight grips. Longer lengths will require intermediate standoffs. For custom grip configurations please call to discuss feasibility and pricing.



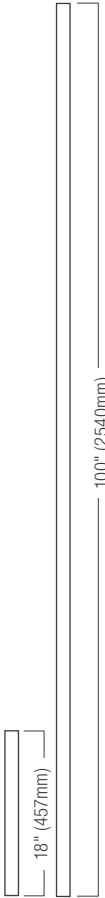



COMPASS™ DOOR PULLS

PRODUCT DATA

DESIGN OPTIONS - SERIES 1200

SERIES 1200 STANDOFFS - SOLID CAST STAINLESS STEEL & BRONZE																										
 <table border="1"> <tr> <td>diameter</td> <td>2" (51mm)</td> </tr> <tr> <td>projection</td> <td>3.125" (79mm)</td> </tr> </table>	diameter	2" (51mm)	projection	3.125" (79mm)	 <table border="1"> <tr> <td>diameter</td> <td>2" (51mm)</td> </tr> <tr> <td>projection</td> <td>3.125" (79mm)</td> </tr> </table>	diameter	2" (51mm)	projection	3.125" (79mm)	 <table border="1"> <tr> <td>diameter</td> <td>1.5" (38mm)</td> </tr> <tr> <td>projection</td> <td>3.125" (79mm)</td> </tr> </table>	diameter	1.5" (38mm)	projection	3.125" (79mm)	 <table border="1"> <tr> <td>diameter</td> <td>1.5" (38mm)</td> </tr> <tr> <td>projection</td> <td>3.125" (79mm)</td> </tr> </table>	diameter	1.5" (38mm)	projection	3.125" (79mm)	 <table border="1"> <tr> <td>width</td> <td>3" (76mm)</td> </tr> <tr> <td>depth</td> <td>1.25" (32mm)</td> </tr> <tr> <td>projection</td> <td>3.125" (79mm)</td> </tr> </table>	width	3" (76mm)	depth	1.25" (32mm)	projection	3.125" (79mm)
diameter	2" (51mm)																									
projection	3.125" (79mm)																									
diameter	2" (51mm)																									
projection	3.125" (79mm)																									
diameter	1.5" (38mm)																									
projection	3.125" (79mm)																									
diameter	1.5" (38mm)																									
projection	3.125" (79mm)																									
width	3" (76mm)																									
depth	1.25" (32mm)																									
projection	3.125" (79mm)																									
912016 - BULLET	912017 - CYLINDER	*912018 - RING	*912019 - DOUBLE RING	912020 - CLAMSHELL																						

*Series 1200 Ring and Double Ring standoffs are slightly different in design compared to their Series 800 counterparts. Series 1200 standoffs return to the mounting surface with a round cross-section. Series 800 standoffs return to the mounting surface with a rectangular cross-section.

SERIES 1200 GRIPS - 1.25" (32MM) DIA. STAINLESS STEEL, BRONZE & SANTOPRENE ELASTOMER																														
 <table border="1"> <tr> <th>model #</th> <th>oal</th> </tr> <tr> <td>912000</td> <td>straight up to 18" (457mm)</td> </tr> <tr> <td>912002</td> <td>straight 18.25" to 24" (464mm to 610mm)</td> </tr> <tr> <td>912004</td> <td>straight 24.25" to 48" (616mm to 1219mm)</td> </tr> <tr> <td>912006</td> <td>straight 48.25" to 72" (1226mm to 1829mm)</td> </tr> <tr> <td>912008</td> <td>straight 72.25" to 92" (1835mm to 2337mm)</td> </tr> <tr> <td>912010</td> <td>straight 92.25" to 100" (2343mm to 2540mm)</td> </tr> </table>	model #	oal	912000	straight up to 18" (457mm)	912002	straight 18.25" to 24" (464mm to 610mm)	912004	straight 24.25" to 48" (616mm to 1219mm)	912006	straight 48.25" to 72" (1226mm to 1829mm)	912008	straight 72.25" to 92" (1835mm to 2337mm)	912010	straight 92.25" to 100" (2343mm to 2540mm)	 <table border="1"> <tr> <th>model #</th> <th>oal</th> </tr> <tr> <td>912001</td> <td>straight up to 18" (457mm)</td> </tr> <tr> <td>912003</td> <td>straight 18.25" to 24" (464mm to 610mm)</td> </tr> <tr> <td>912005</td> <td>straight 24.25" to 48" (616mm to 1219mm)</td> </tr> <tr> <td>912006</td> <td>straight 48.25" to 72" (1226mm to 1829mm)</td> </tr> <tr> <td>912009</td> <td>straight 72.25" to 92" (1835mm to 2337mm)</td> </tr> <tr> <td>912011</td> <td>straight 92.25" to 100" (2343mm to 2540mm)</td> </tr> </table>	model #	oal	912001	straight up to 18" (457mm)	912003	straight 18.25" to 24" (464mm to 610mm)	912005	straight 24.25" to 48" (616mm to 1219mm)	912006	straight 48.25" to 72" (1226mm to 1829mm)	912009	straight 72.25" to 92" (1835mm to 2337mm)	912011	straight 92.25" to 100" (2343mm to 2540mm)	 <p>3.125" (79mm) 24" (610mm)</p> <p>912012 - FLAT END</p>  <p>3.125" (79mm) 24" (610mm)</p> <p>912013 - ROUND END</p>
model #	oal																													
912000	straight up to 18" (457mm)																													
912002	straight 18.25" to 24" (464mm to 610mm)																													
912004	straight 24.25" to 48" (616mm to 1219mm)																													
912006	straight 48.25" to 72" (1226mm to 1829mm)																													
912008	straight 72.25" to 92" (1835mm to 2337mm)																													
912010	straight 92.25" to 100" (2343mm to 2540mm)																													
model #	oal																													
912001	straight up to 18" (457mm)																													
912003	straight 18.25" to 24" (464mm to 610mm)																													
912005	straight 24.25" to 48" (616mm to 1219mm)																													
912006	straight 48.25" to 72" (1226mm to 1829mm)																													
912009	straight 72.25" to 92" (1835mm to 2337mm)																													
912011	straight 92.25" to 100" (2343mm to 2540mm)																													
912000, 02, 04, 06, 08, 10 - FLAT END	912001, 03, 05, 07, 09, 11 - ROUND END																													



COMPASS™ DOOR PULLS

PRODUCT DATA

PRICING - SERIES 1200

Pricing does not include freight. No additional charge for mounting hardware. All pricing is for single units, not pairs.

*MODEL - GRIPS	STAINLESS STEEL	BRONZE	SANTOPRENE
912000 Straight, flat end, up to 18" (457mm) oal	US32, US32D, SSS \$138	US9, US10, US10B, SBR, S10 \$164	BLACK \$138
912001 Straight, round end, up to 18" (457mm) oal	US32, US32D, SSS \$138	US9, US10, US10B, SBR, S10 \$164	
912002 Straight, flat end, 18.25" to 24" (464mm to 610mm) oal	US32, US32D, SSS \$149	US9, US10, US10B, SBR, S10 \$178	BLACK \$149
912003 Straight, round end, 18.25" to 24" (464mm to 610mm) oal	US32, US32D, SSS \$149	US9, US10, US10B, SBR, S10 \$178	
912004 Straight, flat end, 24.25" to 48" (616mm to 1219mm) oal	US32, US32D, SSS \$191	US9, US10, US10B, SBR, S10 \$230	BLACK \$191
912005 Straight, round end, 24.25" to 48" (616mm to 1219mm) oal	US32, US32D, SSS \$191	US9, US10, US10B, SBR, S10 \$230	
912006 Straight, flat end, 48.25" to 72" (1226mm to 1829mm) oal	US32, US32D, SSS \$234	US9, US10, US10B, SBR, S10 \$281	BLACK \$234
912007 Straight, round end, 48.25" to 72" (1226mm to 1829mm) oal	US32, US32D, SSS \$234	US9, US10, US10B, SBR, S10 \$281	
912008 Straight, flat end, 72.25" to 92" (1835mm to 2337mm) oal	US32, US32D, SSS \$277	US9, US10, US10B, SBR, S10 \$330	BLACK \$277
912009 Straight, round end, 72.25" to 92" (1835mm to 2337mm) oal	US32, US32D, SSS \$277	US9, US10, US10B, SBR, S10 \$330	
912010 Straight, flat end, 92.25" to 100" (2343mm to 2540mm) oal	US32, US32D, SSS \$320	US9, US10, US10B, SBR, S10 \$381	BLACK \$320
912011 Straight, round end, 92.25" to 100" (2343mm to 2540mm) oal	US32, US32D, SSS \$320	US9, US10, US10B, SBR, S10 \$381	
912012 Arc, flat end, 24" (610mm) oal	US32, US32D, SSS \$163	US9, US10, US10B, SBR, S10 \$196	BLACK \$163
912013 Arc, round end, 24" (610mm) oal	US32, US32D, SSS \$163	US9, US10, US10B, SBR, S10 \$196	

*MODEL - STANDOFFS	STAINLESS STEEL	BRONZE
912016 Bullet	US32, US32D, SSS \$128	US9, US10, US10B, SBR, S10 \$200
912017 Cylinder	US32, US32D, SSS \$143	US9, US10, US10B, SBR, S10 \$223
912018 Ring	US32, US32D, SSS \$123	US9, US10, US10B, SBR, S10 \$193
912019 Double Ring	US32, US32D, SSS \$143	US9, US10, US10B, SBR, S10 \$223
912020 Clamshell	US32, US32D, SSS \$157	US9, US10, US10B, SBR, S10 \$248

MODEL - END CAPS (B-2 MOUNTING ONLY)	STAINLESS STEEL	BRONZE
DT1501 End Cap, 1.50" (38mm) dia.	US32, US32D, SSS \$74	US9, US10, US10B, SBR, S10 \$100
DP7701 End Cap, 2" (51mm) dia.	US32, US32D, SSS \$74	US9, US10, US10B, SBR, S10 \$100

*Note: To avoid flexing, Series 1200 standoffs should be spaced no more than 87" (2210mm) c.c. on straight Stainless Steel grips or 75" (1905mm) c.c. on straight Bronze grips. Longer lengths will require intermediate standoffs. For custom grip configurations please call to discuss feasibility and pricing.

HOW TO SPECIFY

Please provide the following:

- Door pull quantity
- Grip model number
- Grip metal & finish
- Grip length
- Standoff model number
- Standoff metal & finish
- Standoff quantity (minimum 2 per grip required)
- End Cap quantity (for B-2 mounting; 1 per standoff required)
- End Cap model number (if required)
- End Cap metal & finish (if required)
- Door material & thickness
- Mounting option