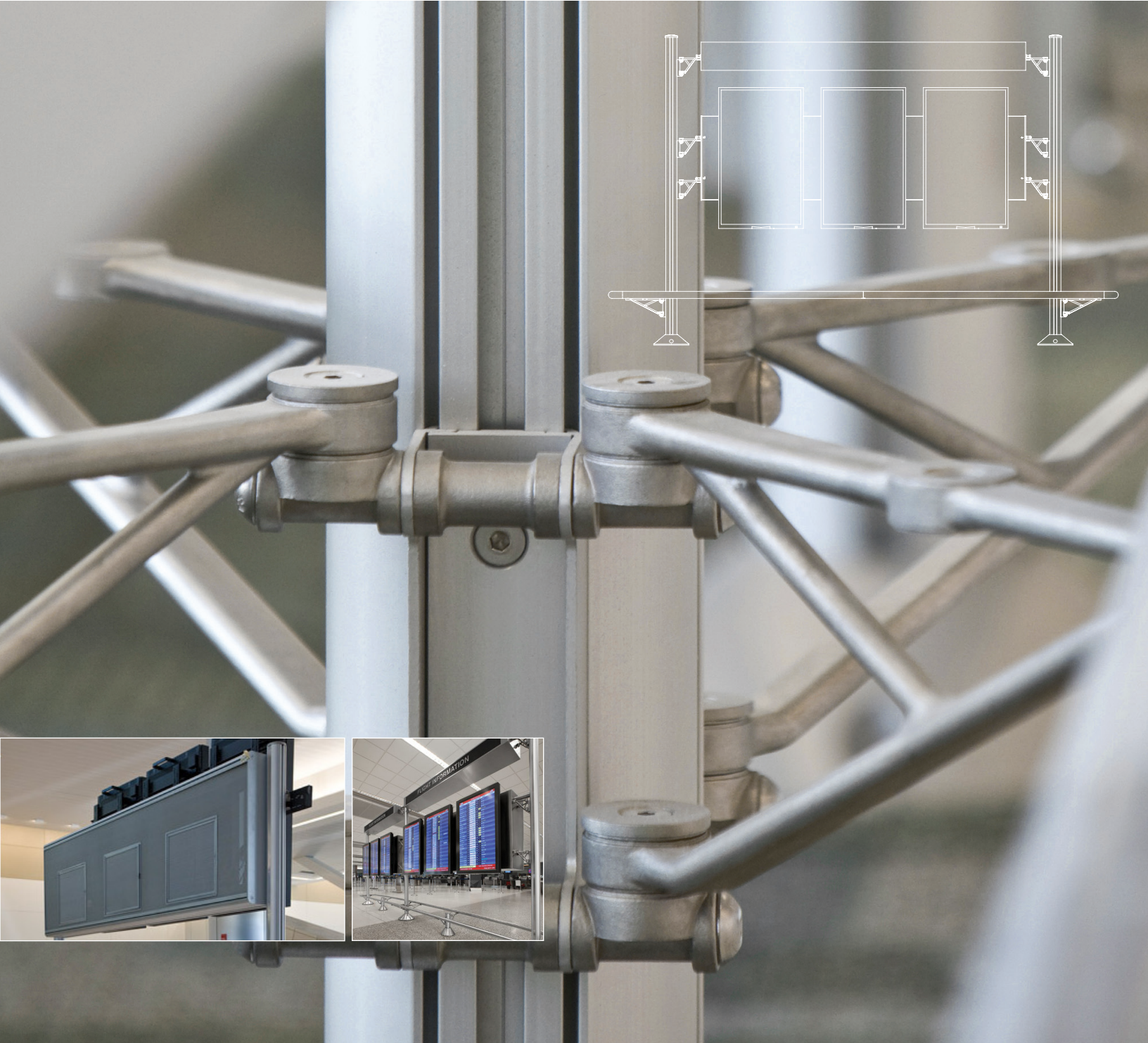




INFORM™ FLIGHT INFORMATION DISPLAYS

PRODUCT DATA





INFORM™ FLIGHT INFORMATION DISPLAYS



PRODUCT DATA

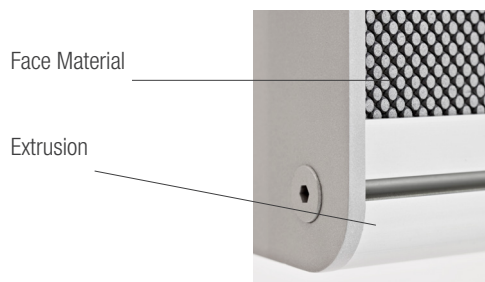
InForm Flight Information Displays use a series of unique aluminum extrusions, high quality castings and other standard elements as building blocks for large public display systems that can incorporate multiple LCD monitors. Forms+Surfaces offers a series of standard assembly layouts; custom designs are also available to meet unique requirements. InForm's modular approach allows individual units to be scaled up or down to suit the needs of different areas in the airport while maintaining design consistency throughout the facility. Applications include Multi-User Flight Information Display Systems (MUFIDS), Electronic Visual Display Systems (EVIDS), Baggage Information Display Systems (BIDS), Gate Information Display Systems (GIDS), Ramp Information Display Systems (RIDS), Visual Messaging Systems (VMS) and Emergency Messaging Systems (EMS).

MAST & SUPPORT ARMS

MAST	CAST ARMS
InForm's durable extruded aluminum mast is 3.5" in diameter and has a Clear Anodized finish. Any height up to 10 feet may be specified as standard; taller heights up to 20 feet are available by special order. The mast includes built-in structural bosses that provide rigid attachment points for mounting feet. Hollow spaces within the mast serve as raceways for power and data cabling.	A series of cast stainless steel support arms forms one of the system's most notable structural and aesthetic elements. The arms are used as an optional support for the cabinet and also support the optional bumper rails. Arms have a bead-blasted finish.

CABINET

PURPOSE	ACCESS	SIZE
Cabinets house wiring for the LCD monitors, CPUs and other electronic components.	Hinged doors are located on the back of the cabinet, providing access to internal components and wiring.	The standard depth for cabinets is eight inches but may vary depending on customer preferences. Cabinets exceeding a width of 10 feet will include a concealed seam in the face material.
MOUNTING	FRAME DESIGN	FACE MATERIAL
Two options are available for mounting the cabinet to the mast extrusion: Cast Arm Mount: The cabinet is spaced out from the mast extrusion using a set of cast support arms. Flush Mount: The cabinet is mounted directly to the mast extrusion.	Two cabinet frame designs are available, each using a different aluminum extrusion (see examples below): Arc Extrusion: The extrusion is clearly visible, creating a rounded detail at all four corners of the cabinet. Conceal Extrusion: The extrusion is completely enclosed inside the cabinet so that only the face material is visible.	Face material choices include Bonded Metal®, Fused Metal® and Stainless Steel. Bonded Metal is not available when Conceal Extrusion is specified due to the break form process used to hide the extrusion. To see all of our available material and finish options, please see the Bonded Metal, Fused Metal and Stainless Steel Product Data Sheets.



ARC EXTRUSION



CONCEAL EXTRUSION

OTHER COMPONENTS

HEADER	LCD MONITORS
The optional header is located above the cabinet and offers a great location to title the display, add the name of the airport or include other customized wording. Mounting, frame design and face material matches the cabinet.	Customers supply their own LCD monitors, which can be mounted on one side or both sides of the cabinet. Adjustable or fixed mounting brackets are available.
BUMPER RAILS	FOOT ASSEMBLY
Bumper rails around the base of the InForm system are available to act as a barrier against rolling luggage and carts. If a system is to be placed against a wall, single-sided rails protect the system on one side. Double-sided rails protect both sides of the system when the information display is installed in open areas.	The conical cast stainless steel foot assembly is beautiful in appearance yet extremely sturdy to support the main cabinet and electronics.

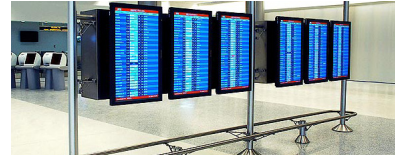
T 800.451.0410 | www.forms-surfaces.com

FORMS+SURFACES®

© 2013 Forms+Surfaces® | All dimensions are nominal. Specifications and pricing subject to change without notice. For the most current version of this document, please refer to our website at www.forms-surfaces.com.

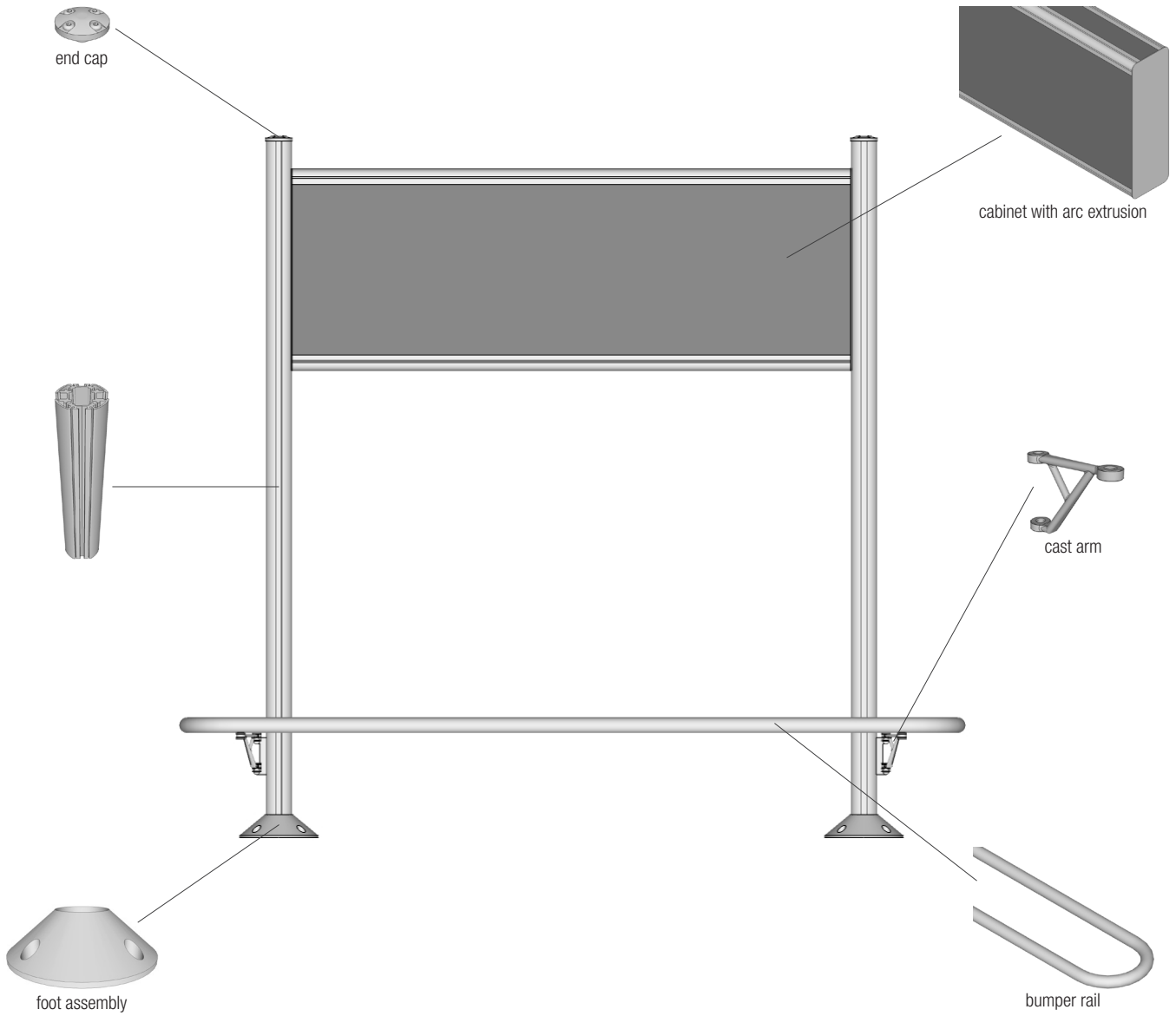


INFORM™ FLIGHT INFORMATION DISPLAYS



PRODUCT DATA

EXAMPLE: FLUSH MOUNT, ARC EXTRUSION



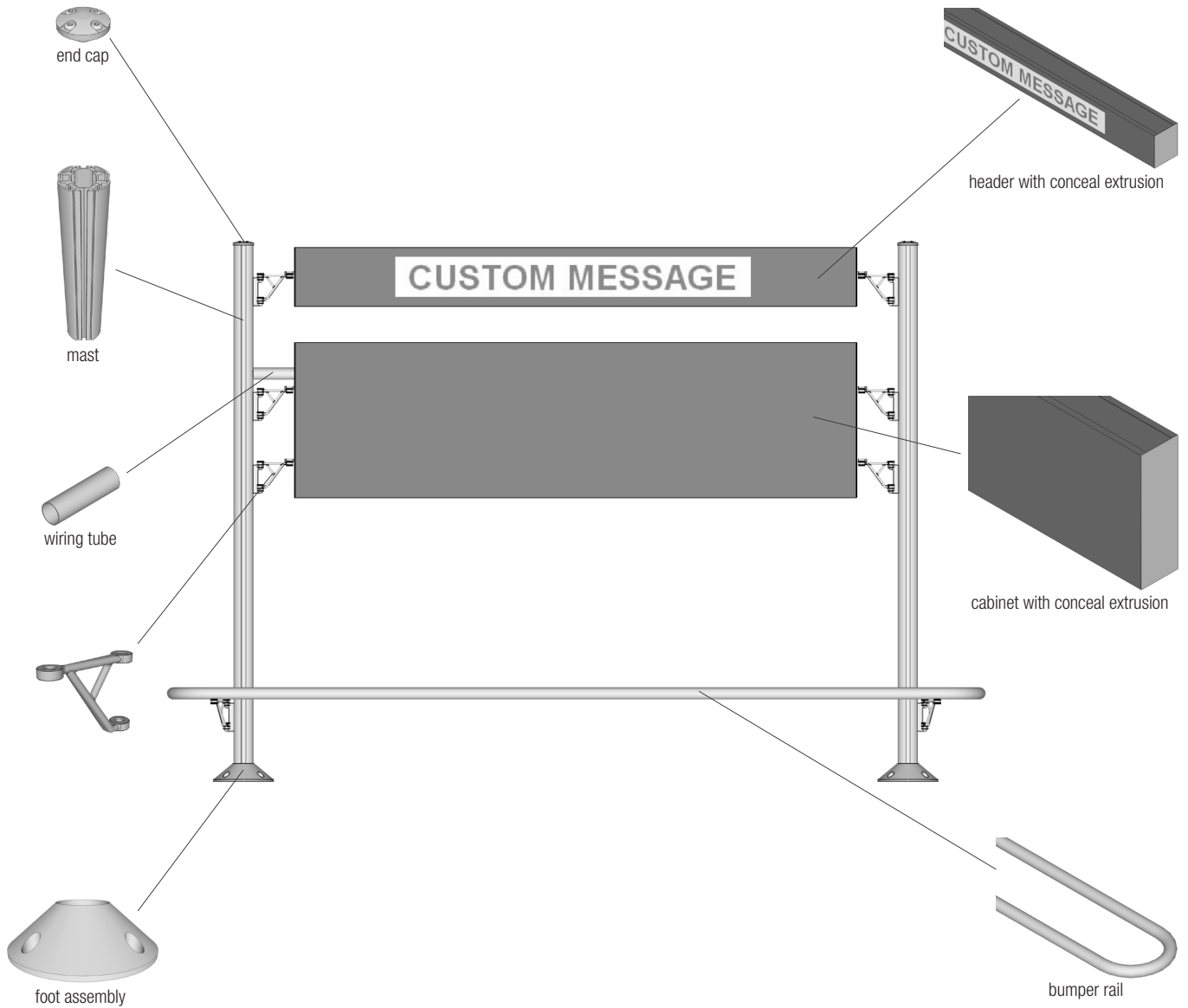


INFORM™ FLIGHT INFORMATION DISPLAYS



PRODUCT DATA

EXAMPLE: CAST ARM MOUNT, HEADER, CONCEAL EXTRUSION





INFORM™ FLIGHT INFORMATION DISPLAYS

PRODUCT DATA

WIRING

WIRING / UL

All wiring is to be completed by the installer. The InForm unit itself holds no UL listing as it is considered by UL to be a commercial furnishing, not an electronic device. The use of flex or shielded conduit or UL compliant shielded cables in order to comply with local codes or UL standards may be determined by the installer.

CABLE FEEDS

Power and data cabling can be neatly accommodated inside the InForm mast extrusion. Depending on the installation type, the primary cabling feed can enter the mast from either the floor or ceiling using the fixed foot assembly. A system of grommets and dress plates allows cables, plugs and connectors for installed devices to enter or exit the mast at any required location.

INSTALLATION CONSIDERATIONS

INSTALLATION AND UPGRADE FLEXIBILITY

An ability to adapt to widely varying site conditions and project schedules was a paramount consideration in the development of InForm. Mast extrusions, for example, can be installed in the earlier phases of a project, with display components added later on as requirements are finalized. The design anticipates changes in technology and in the user's needs. Universal mounting tracks allow system elements to be added or reconfigured at any time. The ability to selectively raise or lower individual components makes InForm ideal for projects where ADA or other accessibility requirements must be met.

ENVIRONMENTAL CONSIDERATIONS

- InForm's stainless steel and aluminum components have a high recycled content.
- All metal components are fully recyclable.
- The system's durability and ease of making future alterations ensure an exceptionally long product life cycle.

ORDERING INFORMATION

Quote/Order Forms are available to lead you through standard product options in a simple, checkbox format. For specialized applications or unique requirements simply call one of our Territory Managers to discuss the many options InForm offers for your project.