



**KNIGHT™ PEDESTRIAN**

PRODUCT DATA





# KNIGHT™ PEDESTRIAN

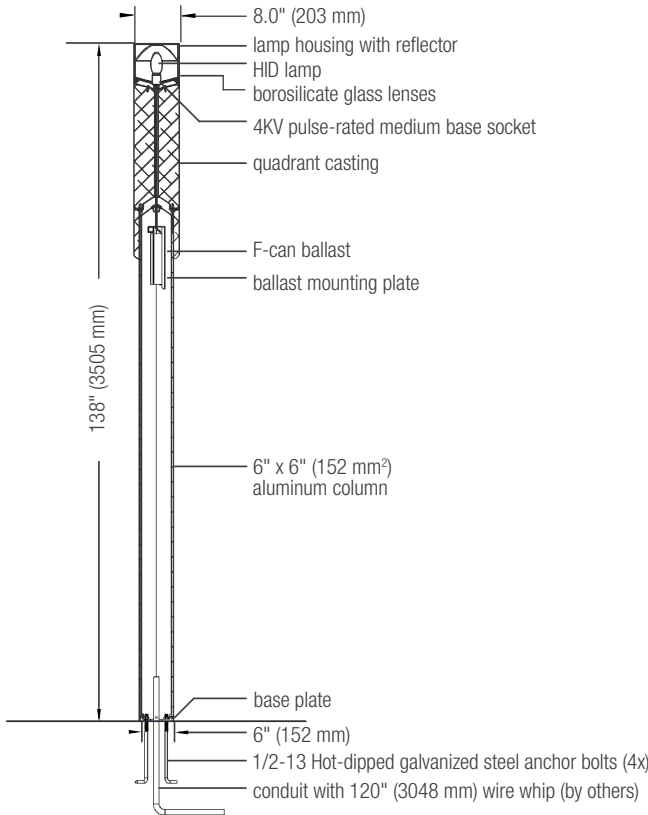
PRODUCT DATA

**Knight Pedestrian Lighting** combines rustproof construction, a unique geometric design, and the striking aesthetic of the rest of the Knight family. Available with a range of HID lamping options, fixtures consist of a robust square column with the light source positioned above a beautifully detailed quadrant casting. Standard Knight Pedestrian Lighting fixtures have a symmetrical lighting pattern; head assemblies can also be configured for asymmetrical light distribution, if desired.

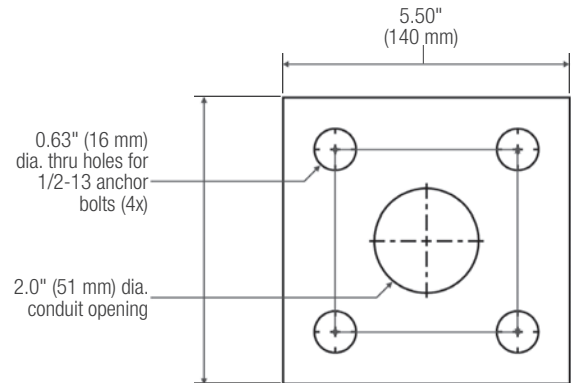
## MATERIAL & CONSTRUCTION DETAILS

COLUMN	FINISH	LAMP	INSTALLATION
<ul style="list-style-type: none"> <li>Column is 6" x 6" square (152 mm x 152 mm square) extruded aluminum with rounded corners.</li> <li>Standard height is 138" (3505 mm). Custom heights down to a minimum of 120" (3048 mm) are available on a custom basis.</li> </ul>	<ul style="list-style-type: none"> <li>For column and head powdercoat options see the Forms+Surfaces Powdercoat Chart for details. Custom RAL colors are available for an upcharge.</li> <li>Quadrant castings are Aluminum Texture powdercoat with polished outer edges. All quadrant casting surfaces are clear-coated.</li> <li>Due to the inherent nature of metal castings, gloss powdercoats are not offered for cast components.</li> </ul>	<ul style="list-style-type: none"> <li>Standard lamp option is 150W metal halide. See lamp information on page 2.</li> </ul>	<ul style="list-style-type: none"> <li>3/8" stainless steel base plate with 1/2"-13x18" galvanized steel J-bolt anchors.</li> <li>Installation of a surge protector as part of each units wiring is recommended.</li> <li>Necessary hardware is included. Templates available upon request.</li> </ul>
HEAD	WEIGHT	BALLAST	MAINTENANCE
<ul style="list-style-type: none"> <li>Aluminum quadrant casting with aluminum lamp housing and four borosilicate glass lenses. Lenses can be replaced with opaque shields for asymmetrical distribution, if required.</li> </ul>	<ul style="list-style-type: none"> <li>98 lbs (44 kg)</li> </ul>	<ul style="list-style-type: none"> <li>F-can ballast, thermally protected, 120/227V, -30 °C starting temperature, class B sound rating.</li> </ul>	<ul style="list-style-type: none"> <li>Metal surfaces can be cleaned as needed using a soft cloth or brush with warm water and a mild detergent. Avoid abrasive cleaners.</li> </ul>

## NOMINAL DIMENSIONS



## BASE PLATE MOUNTING DETAIL



T 800.451.0410 | [www.forms-surfaces.com](http://www.forms-surfaces.com)

**FORMS+SURFACES®**

© 2018 Forms+Surfaces® | All dimensions are nominal. Specifications and pricing subject to change without notice. For the most current version of this document, please refer to our website at [www.forms-surfaces.com](http://www.forms-surfaces.com).



## KNIGHT™ PEDESTRIAN

PRODUCT DATA

### LAMP DESCRIPTIONS

LAMP	DESCRIPTION	BASE	COLOR TEMPERATURE	LUMINAIRE LUMENS*	B.U.G. RATING	ANSI
M150	150W metal halide	E26 medium	4,000	4436	B2-U3-G1	M102/E

\*Luminaire lumens represents the absolute photometry for the luminaire, and indicates the lumens out of the entire fixture.

**NOTE: Polar candela and isofootcandle plots can be found on the Lighthouse Bollard product page on our website.**

### CERTIFICATION

- UL and C-UL listed for wet locations.

### ENVIRONMENTAL CONSIDERATIONS

- Please refer to the Knight Pedestrian Environmental Data Sheet for detailed environmental impact information.
- Knight Pedestrian has high recycled content and is highly recyclable.
- Standard powdercoat finishes are no-VOC; Non-standard powdercoat finishes are no- or low-VOC, depending on color.
- Low maintenance.

### MODEL NUMBERS AND DESCRIPTIONS

MODEL	DESCRIPTION
LPKNI-HID	Knight Pedestrian, HID

### PRODUCT OPTIONS

The following options are available for an upcharge

Premium Texture Colors from Forms+Surfaces Powdercoat Chart
Custom RAL powdercoat color

**LEAD TIME:** 6 to 8 weeks. Shorter lead times may be available upon request. Please contact us to discuss your specific timing requirements.

**PRICING:** Please contact us at **800.451.0410** or **sales@forms-surfaces.com**. At Forms+Surfaces, we design, manufacture and sell our products directly to you. Our sales team is available to assist you with questions about our products, requests for quotes, and orders. Territory Managers are located worldwide to assist with the front-end specification and quoting process, and our in-house Project Sales Coordinators follow your project through from the time you place an order to shipment.

**TO ORDER SPECIFY:** Quantity, model, powdercoat color. Quote/Order Forms are available on our website to lead you through the specification process in a simple checkbox format.