



**LEVELr™ WALL CLADDING SYSTEM**

PRODUCT DATA







## LEVELr™ WALL CLADDING SYSTEM

PRODUCT DATA

LEVELr is a sophisticated wall cladding system that pairs a frameless panel aesthetic with extensive material options. Smartly detailed at every turn, LEVELr makes it easy to create a high-end design statement without resorting to custom solutions. Panels accommodate many different F+S Surfaces, including VividGlass, without a visible framing element. Narrow reveals between panels keep the installed look clean. For added refinement, optional 1/8" proud stainless steel fins can be incorporated between panels—a detail unique to LEVELr that lends an exquisite, contemporary finish. Bases and inside and outside corners expand the customization potential. In addition, the system's 2" depth provides room to manage wiring, electronics and air flow between the wall and panel backs.

For design continuity throughout a space, the LEVELr Wall Cladding System coordinates with our LEVELr Column System. Many of the same high-performance materials available for LEVELr are also available for F+S doors, elevator interiors and doors, sheet goods and more.

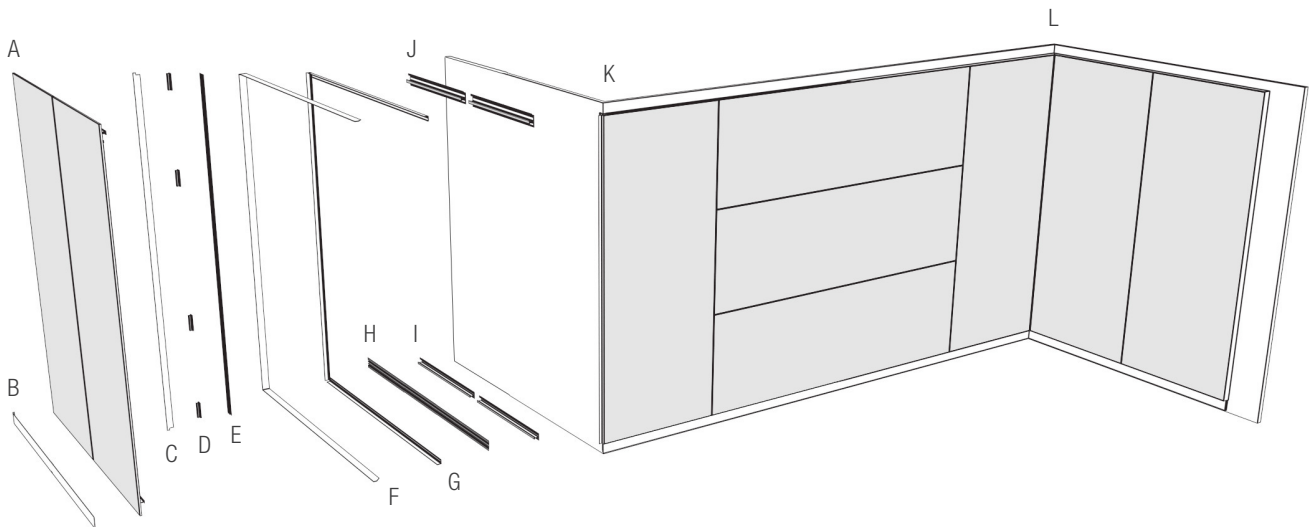
The LEVELr Wall Cladding System can be specified for many field conditions. Panel shapes and sizes can vary according to specification and field requirements. LEVELr panels and corner components have sufficient tolerances built into them to accommodate the majority of out-of-square conditions or other dimensional irregularities.

### SYSTEM COMPONENTS

Standard: Panels, Panel Subsystem, Base, Corners, and Perimeter Fins

Optional: Reveal Fins

### LEVELr WALL CLADDING SYSTEM



- |                                  |                   |
|----------------------------------|-------------------|
| A. Panels                        | H. Base Extrusion |
| B. Base Facing                   | I. Bottom Cleats  |
| C. Reveal Fin                    | J. Top Cleats     |
| D. Reveal Fin Grips              | K. Outside Corner |
| E. Reveal Fin Mounting Extrusion | L. Inside Corner  |
| F. Perimeter Fins                |                   |
| G. Perimeter L-Channels          |                   |



## LEVELr™ WALL CLADDING SYSTEM

PRODUCT DATA

### STANDARD MATERIAL OPTIONS

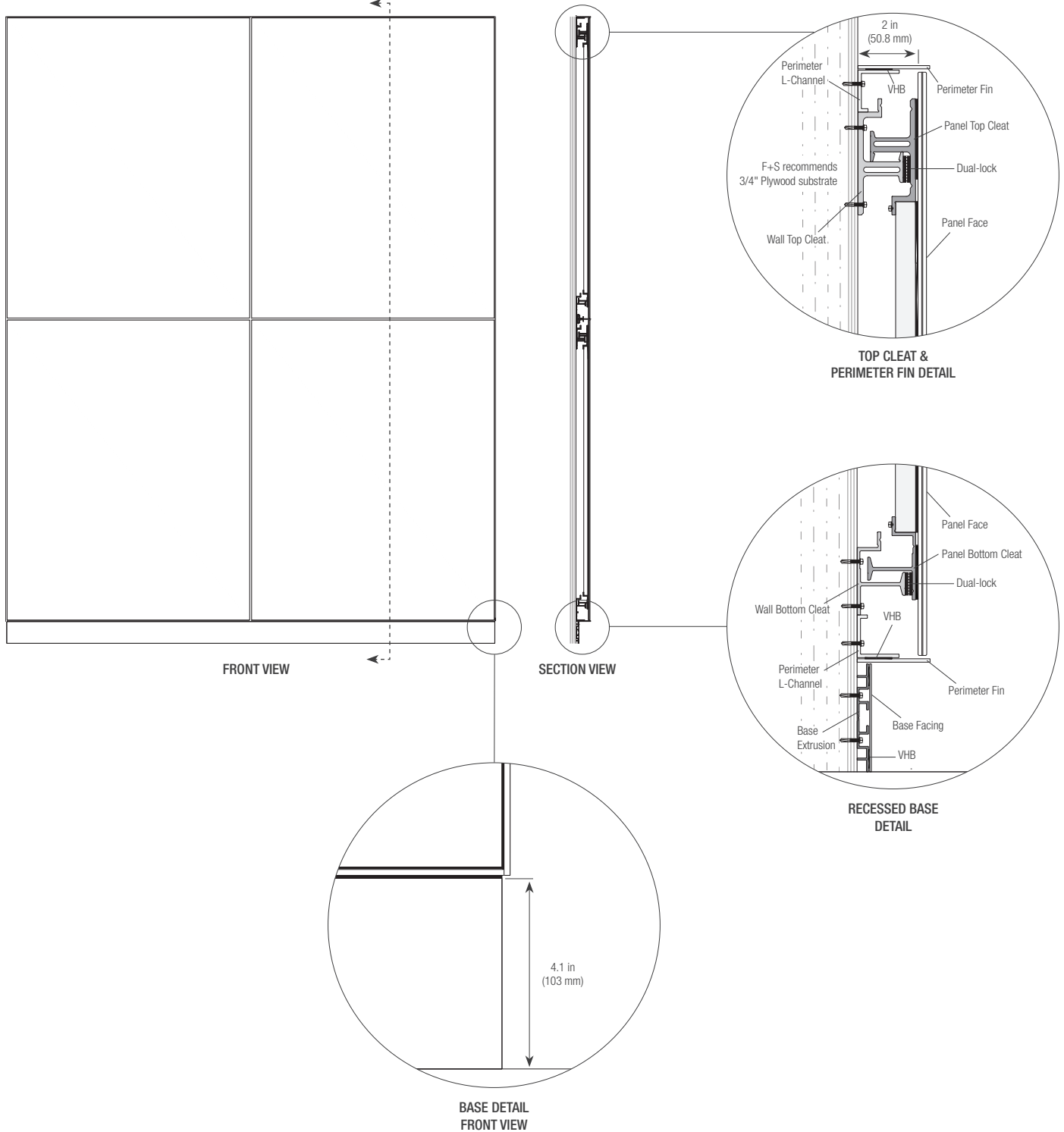
<b>VIVIDGLASS</b>	<b>STAINLESS STEEL</b>
VividGlass laminated glass has tremendous creative potential. Offering numerous ways to transform spaces with colors, patterns and graphics, many of our VividGlass designs can be specified as wall panel insets including selections from our ViviChrome, ViviGraphix, ViviSpectra, ViviStone, ViviStrata and ViviTela families. Please refer to the individual VividGlass Product Data Sheets for swatches and additional information.	Stainless Steel in all of our standard finishes can be specified for panel insets. A variety of optional patterns, can also be specified for added visual interest and enhanced functionality. Impression patterns bring dimension to the surface; eco-friendly Eco-Etch® patterns offer standard and custom options. Please refer to the Stainless Steel Product Data Sheet for finish and pattern swatches and additional information.
<b>FUSED METAL</b>	<b>BONDED METAL</b>
Fused Metal is Forms+Surfaces' exclusive line of colored stainless steel. Created by fusing titanium alloys to the stainless substrate at the molecular level, Fused Metal provides the durability and low maintenance of stainless steel in a rich range of colors. Please refer to the Fused Metal Product Data Sheet for color, finish, and pattern swatches and additional information.	Bonded Metal castings are light in weight yet extremely durable. The material's high relief, highly detailed surfaces have the character and appearance of solid metal. A wide range of patterns, metal colors and patinas offer a striking breadth of design possibilities. Please refer to the Bonded Metal Product Data Sheet for complete information.
<b>BONDED QUARTZ</b>	<b>WOOD VENEER</b>
Bonded Quartz combines ceramic microspheres and a fiber-reinforced polymer matrix to form a material that is lightweight, durable and easy to clean. Standard colors are White and Charcoal; custom colors are also available. A variety of sculptural patterns complete the design options. Please refer to the Bonded Quartz Product Data Sheet for complete information.	All veneers are finished with three coats of CAB acrylic lacquer for superior abrasion resistance and non-yellowing performance while maintaining the richness and authenticity of genuine wood. Please refer to the Wood Veneer Product Data Sheet for material options and additional information.



# LEVELr™ WALL CLADDING SYSTEM

PRODUCT DATA

## STANDARD WALL SYSTEM DETAILS



T 1.800.451.0410 | F 412.385.4715 | [www.forms-surfaces.com](http://www.forms-surfaces.com)

**FORMS+SURFACES®**

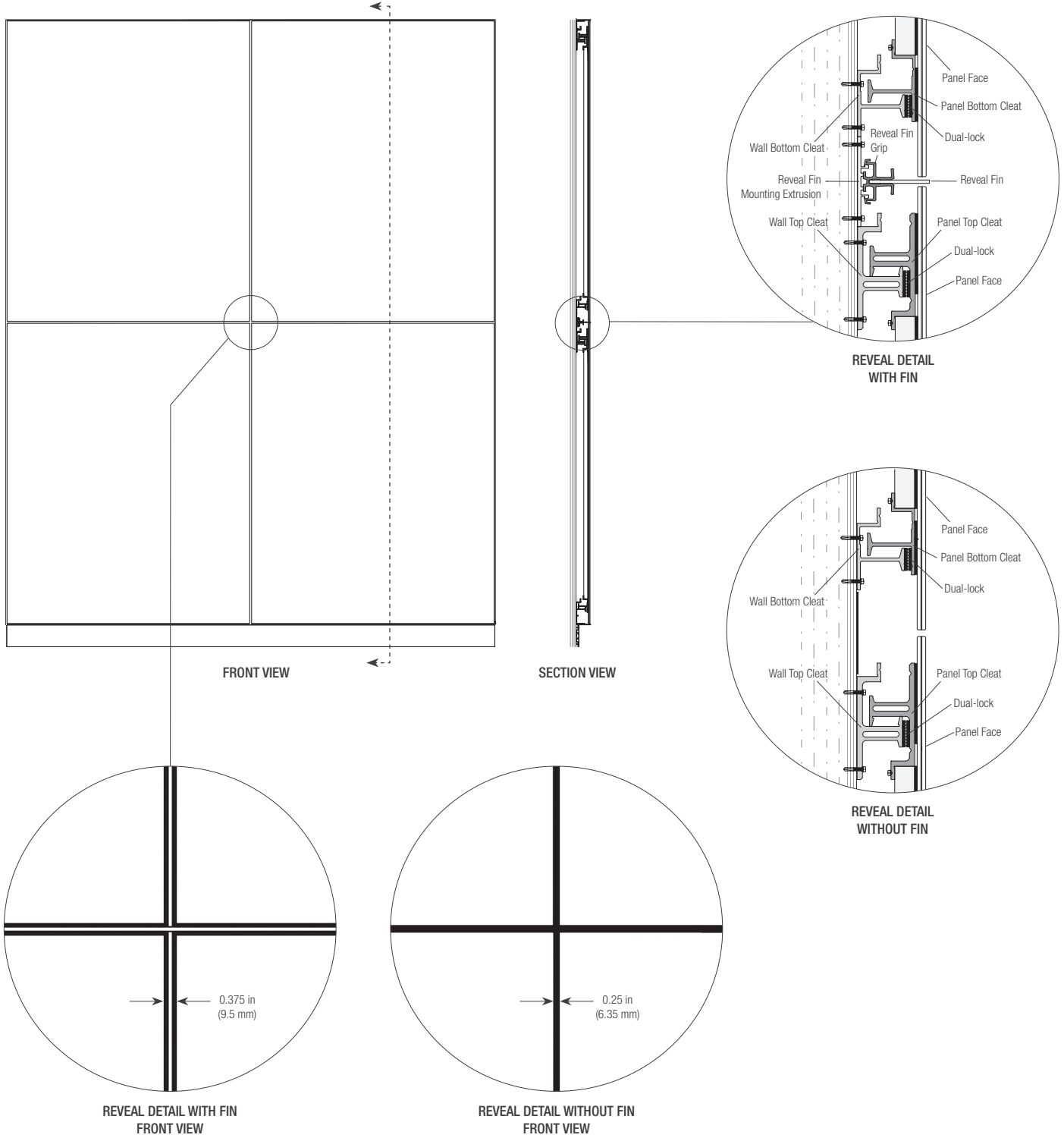
© 2023 Forms+Surfaces® | All dimensions are nominal. Specifications and pricing subject to change without notice. For the most current version of this document, please refer to our website at [www.forms-surfaces.com](http://www.forms-surfaces.com).



# LEVELr™ WALL CLADDING SYSTEM

PRODUCT DATA

## OPTIONAL REVEAL FIN DETAILS





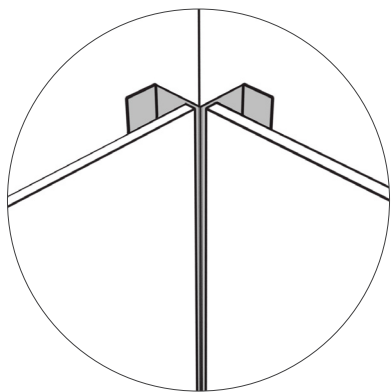
# LEVELr™ WALL CLADDING SYSTEM

PRODUCT DATA

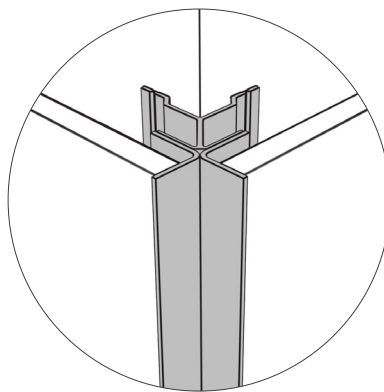
## SYSTEM COMPONENTS

<b>PANELS</b>
<ul style="list-style-type: none"> <li>• Panels are frameless and consist of a decorative face material, structural support that varies based on material selection, and support cleats that mate with the panel subsystem. See page 2 for panel face material options.</li> </ul>
<b>PANEL SUBSYSTEM</b>
<ul style="list-style-type: none"> <li>• LEVELr subsystem utilizes a dual-cleat panel attachment system. See page 1 for panel subsystem components.</li> <li>• Most standard system components are delivered in 12' lengths to be cut to size during installation. This allows for minor adjustments during installation to meet on-site conditions.</li> </ul>
<b>PERIMETER FINNS AND REVEAL FINNS</b>
<ul style="list-style-type: none"> <li>• Perimeter Fins and Reveal Fins have a 1/8" width and are available in bead-blasted stainless steel or black anodized aluminum.</li> <li>• Perimeter Fins are standard system components; Reveal Fins are optional.</li> </ul>
<b>BASE</b>
<ul style="list-style-type: none"> <li>• Standard bases consist of a stainless steel or Fused Metal facing applied to an extruded aluminum substrate.</li> <li>• The standard base is recessed 2" from the face of the panel. The base can be shimmed to any depth.</li> <li>• If you would like to use your own base or no base, the system can be provided without a base.</li> </ul>
<b>CORNERS</b>
<p>Inside Corner</p> <ul style="list-style-type: none"> <li>• Corners are available in bead-blasted stainless steel or black anodized aluminum.</li> </ul> <p>Outside Open Corner</p> <ul style="list-style-type: none"> <li>• Corners are available in bead-blasted stainless steel or black anodized aluminum.</li> </ul> <p>Outside Closed Corner</p> <ul style="list-style-type: none"> <li>• Corners are available in bead-blasted stainless steel or black anodized aluminum, or any of our standard stainless steel or Fused Metal finishes.</li> </ul>

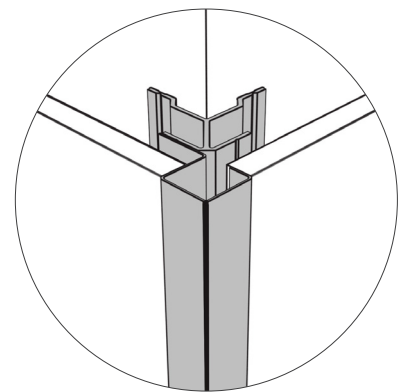
## CORNER DETAILS



INSIDE CORNER



OUTSIDE OPEN CORNER



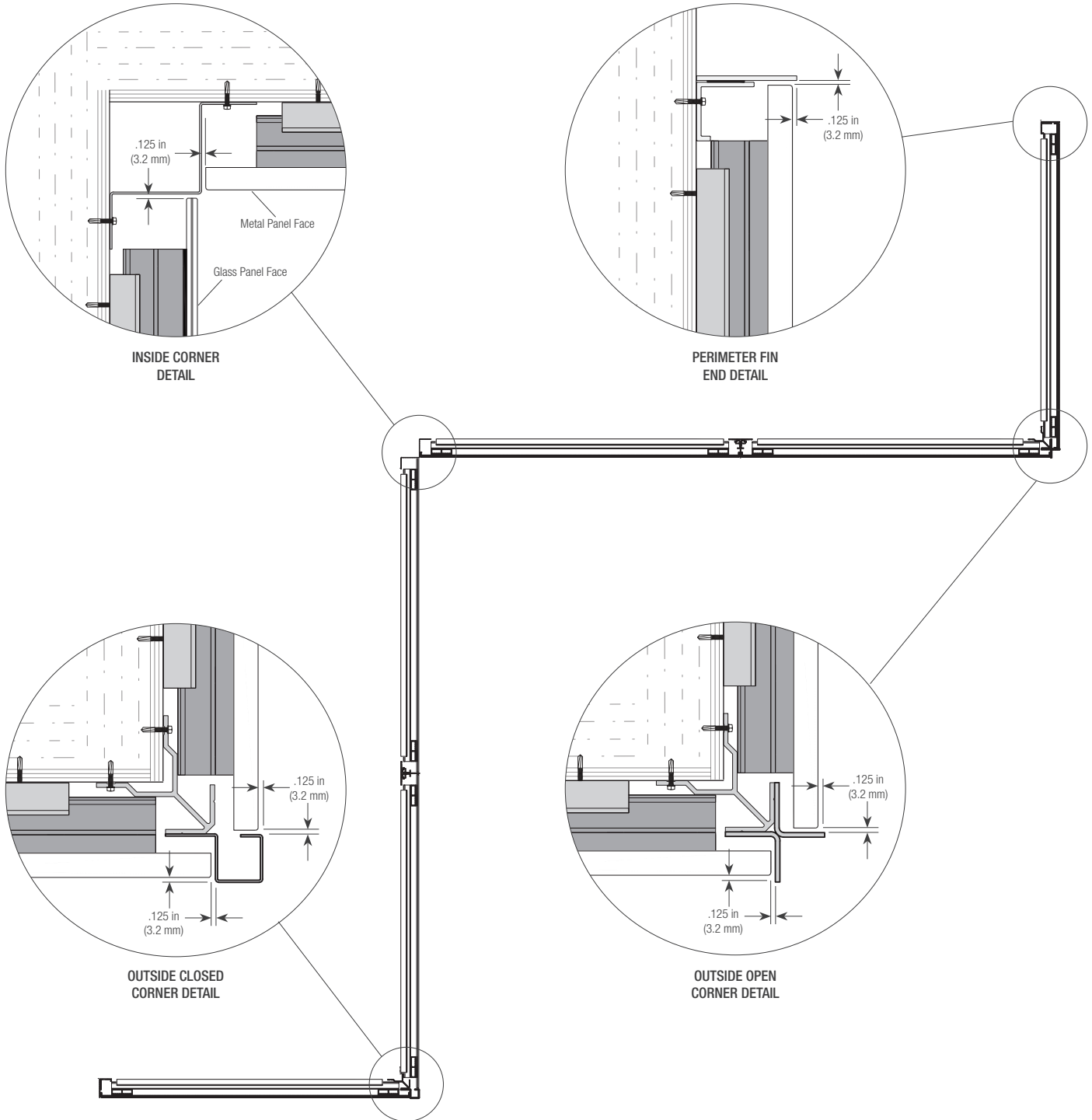
OUTSIDE CLOSED CORNER



# LEVELr™ WALL CLADDING SYSTEM

PRODUCT DATA

## CORNER & PERIMETER FIN DETAILS



T 1.800.451.0410 | F 412.385.4715 | [www.forms-surfaces.com](http://www.forms-surfaces.com)

**FORMS+SURFACES®**

© 2023 Forms+Surfaces® | All dimensions are nominal. Specifications and pricing subject to change without notice. For the most current version of this document, please refer to our website at [www.forms-surfaces.com](http://www.forms-surfaces.com).



# LEVELr™ WALL CLADDING SYSTEM

PRODUCT DATA

## INSTALLATION

WALL PANEL INSTALLATION	PANEL REPLACEMENT
<p>LEVELr installation is designed to be straight-forward and efficient. Many field conditions can be accommodated by adhering to the following installation sequence.</p> <ul style="list-style-type: none"> <li>• First, the Base Extrusions are attached with self-tapping screws, shimming as required to establish a planar basis for the wall cladding system.</li> <li>• Perimeter L-Channels, and Reveal Fin Mounting Extrusions and Corners (if specified) are set next and leveled to the plane just created.</li> <li>• Next, the Top and Bottom Cleats are installed, followed by the Reveal Fin Grips and the Reveal Fins (if specified).</li> <li>• Perimeter Fins are then attached to the Perimeter L-Channels.</li> <li>• Lastly, the panels are engaged via a cleat support system. Note: panels can be installed and replaced independently and in any order.</li> </ul>	<p>If panels are ever damaged due to accident or vandalism, replacement panels can be ordered from Forms+Surfaces. The attachment system permits one panel to be removed without disturbing those around it, keeping downtime to a minimum.</p>

## RELATED PRODUCTS

LEVELr COLUMN SYSTEM	LEVELe ELEVATOR INTERIORS	LIGHTPLANE PANELS
<p>The LEVELr Column System is available in the same materials and finishes as those offered for the LEVELr Wall Cladding System. Please refer to the LEVELr Column System Product Data Sheet for additional information.</p>	<p>LEVELe Elevator Interiors incorporate Minimal and Capture panels and are available in many of the materials and finishes offered for the LEVELr Wall Cladding System. Please refer to the LEVELe Elevator Interior Product Data Sheet for additional information.</p>	<p>LightPlane Panels are engineered LED edge-lit panels that allow you to illuminate walls and more. LightPlane Panels are available exclusively with a wide range of our VividGlass and CastGlass Levels Kiln Cast Glass products. Please refer to the LightPlane Product Data Sheet for pattern options and additional information.</p>
ARCHITECTURAL ACCENTS	ELEVATOR DOOR SKINS	DOORS
<p>Coordinating sheet goods are available for headers, jams, returns, transoms and other architectural features. Our litter &amp; recycling receptacles, site furnishings, and other amenities are also available in many of the materials and finishes offered for LEVELr Walls, Columns, and Elevator Interiors.</p>	<p>Forms+Surfaces Elevator Door Skins are available in many of the same materials and finishes as those offered for LEVELr Walls, Columns, and Elevator Interiors. Please refer to our Elevator Doors Product Data Sheets for additional information.</p>	<p>Forms+Surfaces manufactures a full range of entrance doors and door pulls in materials and finishes that complement those offered for LEVELr Walls, Columns, and Elevator Interiors. Please refer to individual Door and Door Pull Product Data Sheets for additional information.</p>

## CUSTOM WALLS

If your design requirements go beyond the standard LEVELr configurations or material and finish options, please call us to discuss your project-specific needs.

## TECHNICAL SUPPORT & PROJECT MANAGEMENT

Because each project is unique, our knowledgeable support team is ready to help. Our technical sales, engineering, sustainability, and project management professionals regularly assist our clients worldwide. Please contact us at 800.451.0410 or sales@forms-surfaces.com to discuss your project.

## HOW TO SPECIFY

Design Guides are available for each of the panel configurations to lead you through the specification process in a simple, checkbox format. The Design Guide captures all the information needed to generate a quote: dimensions, finishes, and other options. CSI specifications are also available on our website.