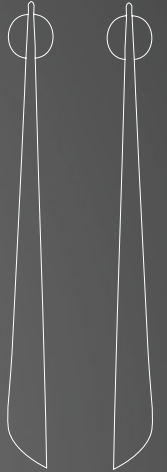




ORION™ DOOR PULLS

PRODUCT DATA





ORION™ DOOR PULLS

PRODUCT DATA

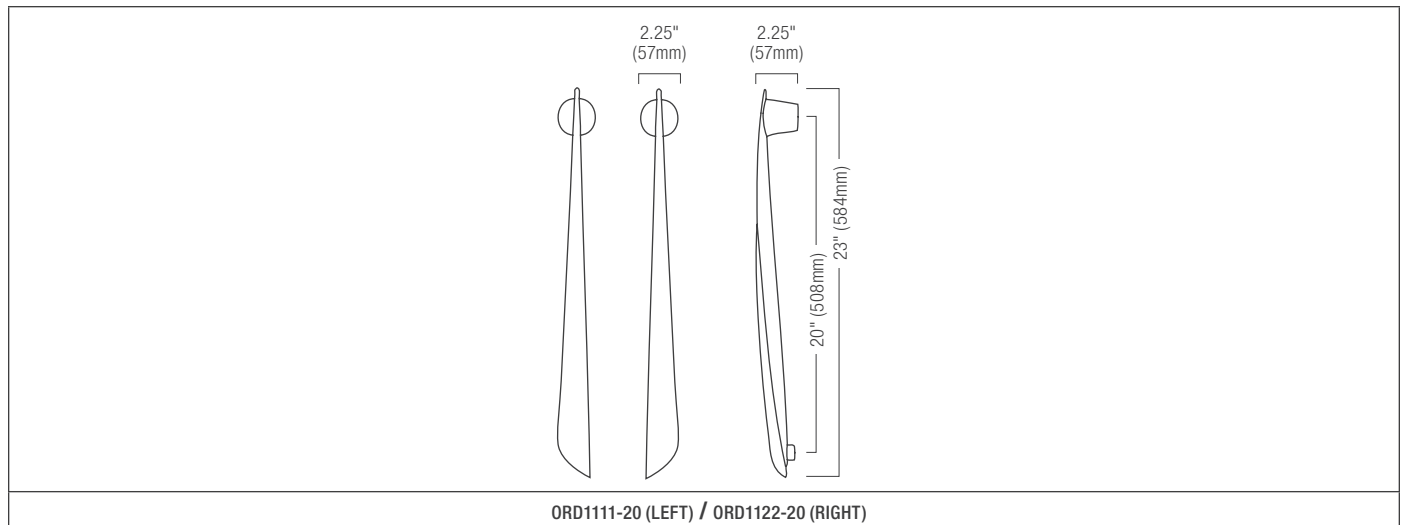
Orion Door Pulls add dramatic punctuation to any architectural setting. In addition to their unique profile, pulls feature combination grips and stand-offs. Each element may be specified in any of the materials listed, and metals and finishes may be combined on a single pull to stunning effect.

MATERIALS & FINISHES

INSTALLATION & MAINTENANCE

STAINLESS STEEL		BRONZE		INSTALLATION <ul style="list-style-type: none"> Orion Door Pulls may be single mounted or mounted back-to-back on wood, metal or glass doors. Orion Door Pulls are installed using Mounting System "B". A thread-locking adhesive such as Loctite® is recommended for secure installation. Refer to Mounting Options B1, B2, B3, B4, B5, B6 and B7 shown below for additional information. 	MAINTENANCE <ul style="list-style-type: none"> Orion Door Pulls are well-suited for interior or exterior use. Regular maintenance will help ensure the lasting beauty of each pull. For more information, please refer to <i>Door Hardware Care & Maintenance</i> found on our website.
US32	Polished Stainless Steel	US9	Polished Bronze		
US32D	Satin Stainless Steel	US10	Satin Bronze		
SSS	Stippled Stainless Steel	SBR	Stippled Bronze		
		US10B	Oil-Rubbed Bronze		

DESIGN OPTIONS



ORD1111-20 (LEFT) / ORD1122-20 (RIGHT)

MOUNTING OPTIONS

B-1 Back-to-back mount on wood or metal door with Rota-Lok.	B-2 Single mount on glass door with end cap purchased separately.	B-3 Back-to-back mount on glass door with Rota-Lok.	B-4 Single mount on wood or metal door with through bolt.	*B-5 Concealed single mount on wood door with threaded insert and Rota-Lok.	B-6 "L" Configuration: Adapt one end of each pull for back-to back mounting with Rota-Lok. Specify "B" mounting for other ends.	B-7 Concealed single mount on aluminum frame door with Rota-Lok and customer's reinforcement.
<p>*Forms+Surfaces offers but does not recommend concealed mounting on wood doors. Frequent or heavy use can compromise the integrity of this mounting.</p>						

For more information on mounting Orion Door Pulls, please refer to the *Hardware Installation Instruction Manual* found on our website.



ORION™ DOOR PULLS

PRODUCT DATA

LIST PRICING AND ORDERING INFORMATION

Pricing does not include freight. No additional charge for mounting hardware. All pricing is for single units, not pairs.

MODEL	DESCRIPTION	
ORD1111-20-0AS Left; 20" (508mm) c.c.	Stainless Steel grip, Stainless Steel standoff	\$687
ORD1111-20-0SB Left; 20" (508mm) c.c.	Stainless Steel grip, Bronze standoff	\$763
ORD1111-20-0BS Left; 20" (508mm) c.c.	Bronze grip, Stainless Steel standoff	\$929
ORD1111-20-0BB Left; 20" (508mm) c.c.	Bronze grip, Bronze standoff	\$1,005
ORD1122-20-0AS Right; 20" (508mm) c.c.	Stainless Steel grip, Stainless Steel standoff	\$687
ORD1122-20-0SB Right; 20" (508mm) c.c.	Stainless Steel grip, Bronze standoff	\$763
ORD1122-20-0BS Right; 20" (508mm) c.c.	Bronze grip, Stainless Steel standoff	\$929
ORD1122-20-0BB Right; 20" (508mm) c.c.	Bronze grip, Bronze standoff	\$1,005
DT1001 Grip End Cap, 1" (25mm) diameter*	Stainless Steel	\$40
DT1001 Grip End Cap, 1" (25mm) diameter*	Bronze	\$56
DT1501 Standoff End Cap, 1.5" (38mm) diameter*	Stainless Steel	\$74
DT1501 Standoff End Cap, 1.5" (38mm) diameter*	Bronze	\$100

*The Orion door pull uses (1) 1" End Cap and (1) 1.5" Standoff End Cap per pull.

HOW TO SPECIFY:

Provide model number, quantity, metal and finish for each element (including grip and standoff), mounting option, door material and thickness.