



QUADRA™ SEATING SYSTEM

PRODUCT DATA





QUADRA™ SEATING SYSTEM

PRODUCT DATA

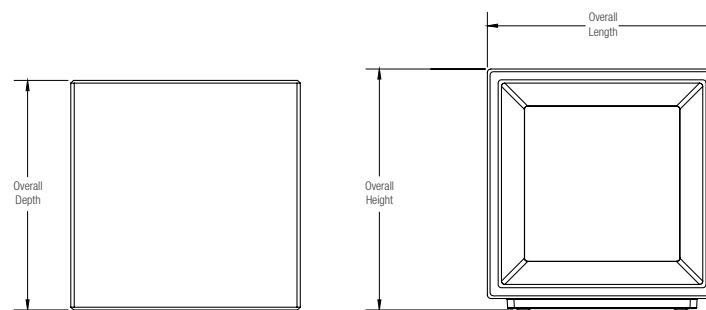
The **Quadra Seating System** is a minimalist modular family comprised of seats, benches and planters. Constructed of TENSU Ultra High Performance Concrete (UHPC), an exceptionally durable material, individual Quadra modules can be used in multiple orientations. They can also incorporate different materials in a variety of finishes for seats, table tops and decorative insets. Simple in form and functionality, this highly adaptable group offers playful design flexibility—think of the line as building blocks for creating dynamic meeting spaces, huddle zones, and site-specific gathering areas.

MATERIAL & CONSTRUCTION DETAILS

INSTALLATION & MAINTENANCE

CONSTRUCTION	PLANTER OPTIONS	INSTALLATION
<ul style="list-style-type: none"> Quadra modules are cast of TENSU Ultra High Performance Concrete (UHPC) and have an intrinsic UHPC finish in Natural color. TENSU surfaces are protected by a hydrophobic treatment. Base is cast aluminum with a powdercoat finish. Slight variations in color and surface texture can occur due to the nature of the TENSU manufacturing process. 	<ul style="list-style-type: none"> Planter liner is molded polyethylene. All liners are available with or without drainage holes. 	<ul style="list-style-type: none"> Quadra modules can be freestanding or surface mounted. Surface mount models include stainless steel mounting hardware. A crane or other equipment appropriate for moving a 164-192 lb. object is required.
CONFIGURATIONS	INSET OPTIONS	MAINTENANCE
<ul style="list-style-type: none"> Quadra modules can be configured for use as seating, tables, or planters. Quadra modules can be specified with the aperture in the casting facing front to back for use as seating or tables. Quadra modules can also be specified with the aperture oriented top to bottom, in which case a variety of materials, or a planter liner, can be inset into the top opening to create distinctive seating, tables and planters. 	<ul style="list-style-type: none"> Wood insets have FSC® Recycled reclaimed Teak hardwood slats and a natural oiled finish. (FSC License Code: FSC-C004453). TENSU UHPC insets are available with or without a surface pattern. Aluminum insets have a powdercoat finish. See the Forms+Surfaces Powdercoat Chart for details. Custom RAL colors are available for an upcharge. All Forms+Surfaces powdercoat colors have been formulated to be ultra-durable for improved long-term wear and resistance to weathering. Our powdercoat colors are also anti-graffiti, allowing marks from paint, permanent markers, and dirt to be easily removed. Due to the inherent nature of metal castings, gloss powdercoats are not offered for cast components. 	<ul style="list-style-type: none"> Metal and TENSU UHPC surfaces can be cleaned as needed using a soft cloth or brush with warm water and a mild detergent. Surfaces should be thoroughly rinsed and allowed to dry. Avoid abrasive cleaners. FSC® Recycled reclaimed Teak hardwood slats can be maintained by re-oiling as needed with linseed oil. Avoid abrasive cleaners and spray polishes.

NOMINAL DIMENSIONS



Shown with aperture front-to-back

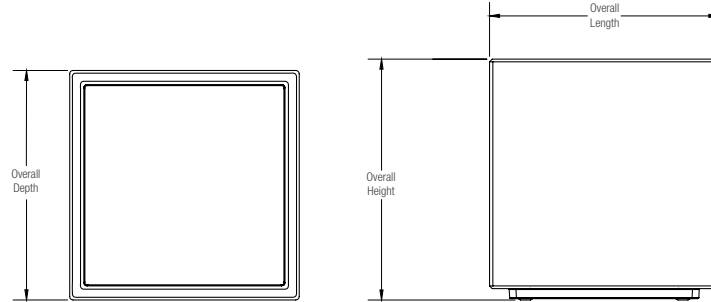
MODEL	OVERALL LENGTH	OVERALL DEPTH	OVERALL HEIGHT	WEIGHT
SBQUA-17S	17" (432 mm)	17" (432 mm)	17.9" (455 mm)	164 lbs (74.4 kg)



QUADRA™ SEATING SYSTEM

PRODUCT DATA

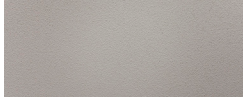
NOMINAL DIMENSIONS CONTINUED



Shown with aperture top-to-bottom

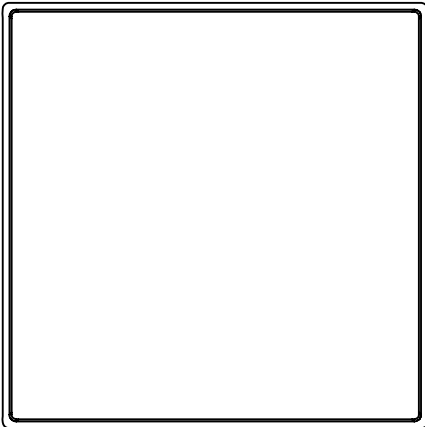
MODEL	OVERALL LENGTH	OVERALL DEPTH	OVERALL HEIGHT	WEIGHT
SBQUA-17A	17" (432 mm)	17" (432 mm)	17.8" (452 mm)	180 lbs (81.6 kg)
SBQUA-17P	17" (432 mm)	17" (432 mm)	17.8" (452 mm)	177 lbs (80.3 kg)
SBQUA-17T	17" (432 mm)	17" (432 mm)	17.8" (452 mm)	192 lbs (87.1 kg)
SBQUA-17W	17" (432 mm)	17" (432 mm)	17.8" (457 mm)	180 lbs (81.6 kg)

UHPC COLOR: NATURAL

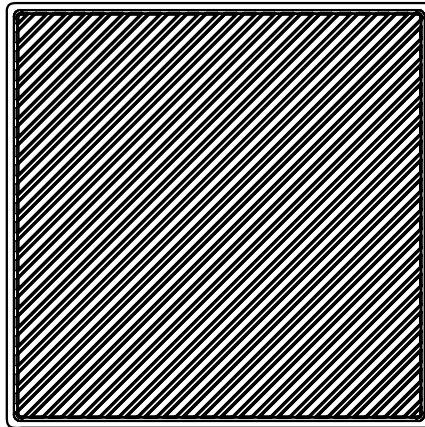


UHPC INSET SURFACE PATTERN OPTIONS

NO PATTERN



BIAS





QUADRA™ SEATING SYSTEM

PRODUCT DATA

MODEL NUMBER AND DESCRIPTION

MODEL	DESCRIPTION
SBQUA-17S	Quadra Seating System, 17", TENSL UHPC casting with front-to-back aperture, no inset
SBQUA-17A	Quadra Seating System, 17", TENSL UHPC casting with aluminum inset
SBQUA-17T	Quadra Seating System, 17", TENSL UHPC casting with TENSL UHPC inset
SBQUA-17W	Quadra Seating System, 17", TENSL UHPC casting with FSC® Recycled reclaimed Teak hardwood slat inset
SBQUA-17P	Quadra Seating System, 17", TENSL UHPC casting with planter liner

ENVIRONMENTAL CONSIDERATIONS

- Please refer to the Quadra Seating System Environmental Data Sheet for detailed environmental impact information.
- Quadra modules are composed primarily of natural materials local to manufacturing.
- All Quadra modules use a low energy, resource efficient manufacturing and curing process.
- All Quadra components disassemble at end of life and are fully recyclable.
- All Quadra wood is FSC® Recycled reclaimed Teak hardwood.
- Low maintenance and extremely long service life.
- Powdercoat finishes are no- or low-VOC, depending on color.
- Manufactured in the USA.

PRODUCT OPTIONS

The following options are available for an upcharge:

Premium Texture Colors from Forms+Surfaces Powdercoat Chart
Custom RAL powdercoat color

LEAD TIME: Please contact us to discuss your specific timing requirements.

PRICING: Please contact us at **800.451.0410** or **sales@forms-surfaces.com**. At Forms+Surfaces, we design, manufacture and sell our products directly to you. Our sales team is available to assist you with questions about our products, requests for quotes, and orders. Territory Managers are located worldwide to assist with the front-end specification and quoting process, and our in-house Project Sales Coordinators follow your project through from the time you place an order to shipment.

TO ORDER SPECIFY: Quantity, model, powdercoat color for frame, and freestanding or surface mount. Quote/Order Forms are available on our website to lead you through the specification process in a simple checkbox format.

NOTE: Because different computers, monitors, and printers render colors and textures differently, actual finishes may vary from those shown here.