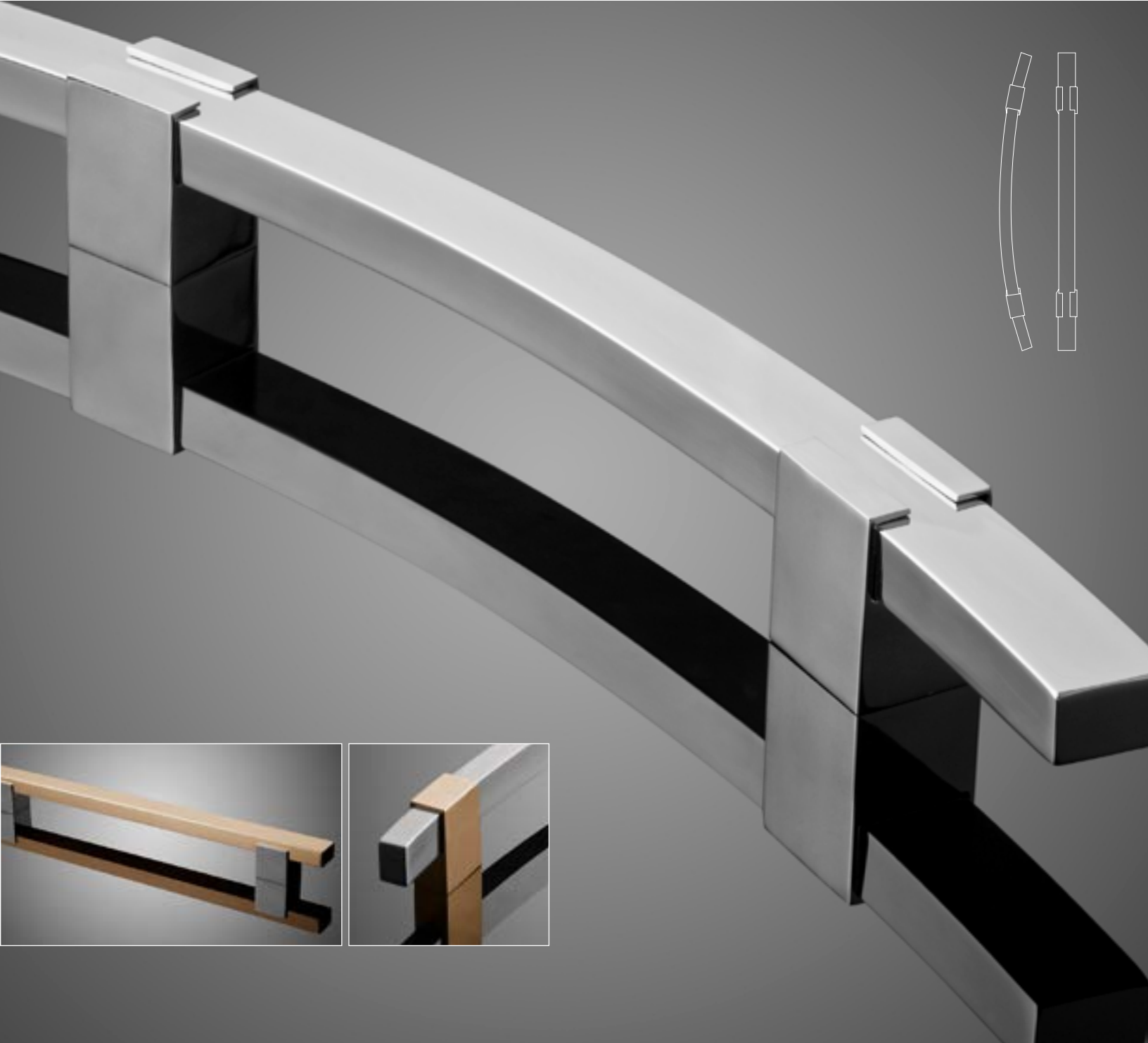




QUADRANT™ DOOR PULLS

PRODUCT DATA





QUADRANT™ DOOR PULLS

PRODUCT DATA

The Quadrant Collection combines the bold look and superb craftsmanship of custom pulls with the versatility and cost-effectiveness of a standardized system. Choose from multiple grip and standoff designs, mix metals and finishes, and combine grips with standoffs in almost limitless variations. All Quadrant Door Pulls use the same 1" x 1.5" (25mm x 38mm) grips; it is the standoff selection that determines the door pull profile. Quadrant Door Pulls are grouped by grip orientation into two distinct series: Series 1000 and Series 1500. Based on the collection's unique "kit of parts" format, both give specifiers countless ways to get creative with their door pull solutions.

SERIES DETAILS

Design Elements	Individual Quadrant Door Pulls consist of two basic elements that must be specified separately: Grips and Standoffs. <ul style="list-style-type: none"> • GRIPS: The "graspable" part of the pull. Design options include straight or curved versions as shown on pages 3 and 5. • STANDOFFS: The two (or more) elements that support the grip. Design options vary and are shown on pages 3 and 5.
Sizes	Sizing of Quadrant Door Pulls is largely defined by the customer, not by pre-set options. In most cases, overall lengths and/or center-to-center dimensions are variable and allow customers to specify grip lengths and/or standoff spacing to meet project-specific requirements.
Series 1000	<ul style="list-style-type: none"> • Series 1000 uses a 1" x 1.5" (25mm x 38mm) grip oriented with the narrower 1" (25mm) side of the rectangular grip facing outwards with correspondingly narrow standoffs. Series 1000 is ideal for any application where a slimmer, more understated door pull profile is desired. Grips are available in stainless steel, bronze and tactile black Santoprene® elastomer. • Straight Series 1000 grips are available in any length up to 100" (2540mm). Arc grips are available 24" (610mm) oal. Center-to-center spacing of standoffs on straight and arc grips is defined by the customer. Standoffs are attached to grips at F+S factory. • In addition to door pull applications, Quadrant Series 1000 is also offered as an ADA compliant handrail in our CabForms® and LEVELe elevator interiors (excluding HDQUA007). Please call or visit our website for more information on elevator handrail applications.
Series 1500	<ul style="list-style-type: none"> • Series 1500 uses a 1" x 1.5" (25mm x 38mm) grip oriented with the wider 1.5" (38mm) side of the rectangular grip facing outwards with correspondingly wide standoffs. Series 1500 is ideal for any application where a bolder, more substantial door pull profile is desired. Grips are available in stainless steel, bronze and tactile black Santoprene elastomer. • Straight Series 1500 grips are available in any length up to 100" (2540mm). Arc grips are available 24" (610mm) oal. Center-to-center spacing of standoffs on straight and arc grips is defined by the customer. Standoffs are attached to grips at F+S factory. • In addition to door pull applications, Quadrant Series 1500 is also offered as an ADA compliant handrail in our CabForms and LEVELe elevator interiors (excluding HDQUA007). Please call or visit our website for more information on elevator handrail applications.

MATERIALS & FINISHES

		GRIPS		STANDOFFS	
		Series 1000	Series 1500	Series 1000	Series 1500
US32	Polished Stainless Steel	•	•	•	•
US32D	Satin Stainless Steel	•	•	•	•
SSS	Stippled Stainless Steel	•	•	•	•
US9	Polished Bronze	•	•	•	•
US10	Satin Bronze	•	•	•	•
US10B	Oil-Rubbed Bronze	•	•	•	•
SBR	Stippled Bronze	•	•	•	•
S10	Stippled Oil-Rubbed Bronze	•	•	•	•
*BLACK	Santoprene Elastomer	•	•		

*Black Santoprene elastomer grips are supplied with stainless steel or bronze end caps finished to match the standoffs selected for your door pulls.

CONFIGURATION EXAMPLES - SERIES 1000 & 1500



Left to right:

SERIES	GRIP	STANDOFFS
1. 1000	Satin Stainless Steel	Vise, Polished Bronze
2. 1500	Satin Stainless Steel	Clamp, Polished Stainless Steel
3. 1500	Satin Bronze	Block, Stippled Bronze
4. 1000	Santoprene	Block, Polished Stainless Steel



QUADRANT™ DOOR PULLS

PRODUCT DATA

INSTALLATION & MAINTENANCE

INSTALLATION	MAINTENANCE
<ul style="list-style-type: none"> • Quadrant Series 1000 & 1500 pulls may be single mounted on wood or metal doors. They may be mounted back-to-back on wood, metal or glass doors. Refer to Mounting Options C1, C2, C3, C4 and C5 shown below for additional information. • A thread-locking adhesive such as Loctite® is recommended for secure installation. 	<ul style="list-style-type: none"> • Quadrant Door Pulls are well-suited for interior or exterior use. Regular maintenance will help ensure the lasting beauty of each pull. For more information, please refer to <i>Door Hardware Care & Maintenance</i> found on our website.

MOUNTING OPTIONS

MOUNTING SYSTEM "C" FOR SERIES 1000 & 1500 DOOR PULLS				
<p>C-1 Back-to-back mount on wood or metal door with shoulder bolt.</p>	<p>C-2 Concealed single mount on aluminum frame door with shoulder bolt and customer's reinforcement.</p>	<p>*C-3 Concealed single mount on wood door with shoulder bolt and threaded insert.</p>	<p>C-4 Back-to-back mount on glass door with shoulder bolt.</p>	<p>C-5 Single mount on wood or metal door with through bolt.</p>
<p>*Forms+Surfaces offers but does not recommend concealed mounting on wood doors. Frequent or heavy use can compromise the integrity of this mounting.</p>				

For more information on mounting Quadrant Door Pulls, please refer to the *Hardware Installation Instruction Manual* found on our website.

SERIES DESCRIPTIONS




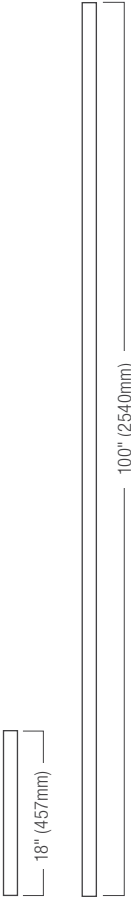

GRIP ORIENTATION	
<div style="text-align: center;"> <p>1" x 1.5" (25mm x 38mm) Grip Cross Section - Narrow Side Facing Out (Actual Size)</p> </div>	<div style="text-align: center;"> <p>1" x 1.5" (25mm x 38mm) Grip Cross Section - Wide Side Facing Out (Actual Size)</p> </div>
<p>SERIES 1000</p>	<p>SERIES 1500</p>



QUADRANT™ DOOR PULLS

PRODUCT DATA

DESIGN OPTIONS - SERIES 1000

SERIES 1000 STANDOFFS - SOLID CAST STAINLESS STEEL & BRONZE																
 projection 3.14" (80mm)	 projection 3.14" (80mm)	 projection 3.14" (80mm)														
HDQUA008 - BLOCK	HDQUA009 - CLAMP	HDQUA010 - VISE														
SERIES 1000 GRIPS - 1" X 1.5" (25MM X 38MM) STAINLESS STEEL, BRONZE & SANTOPRENE ELASTOMER																
 <table border="1" data-bbox="435 1472 881 1696"> <thead> <tr> <th>grip model #</th> <th>oal</th> </tr> </thead> <tbody> <tr> <td>HDQUA001</td> <td>straight up to 18" (457mm)</td> </tr> <tr> <td>HDQUA002</td> <td>straight 18.25" to 24" (464mm to 610mm)</td> </tr> <tr> <td>HDQUA003</td> <td>straight 24.25" to 48" (616mm to 1219mm)</td> </tr> <tr> <td>HDQUA004</td> <td>straight 48.25" to 72" (1226mm to 1829mm)</td> </tr> <tr> <td>HDQUA005</td> <td>straight 72.25" to 92" (1835mm to 2337mm)</td> </tr> <tr> <td>HDQUA006</td> <td>straight 92.25" to 100" (2343mm to 2540mm)</td> </tr> </tbody> </table>		grip model #	oal	HDQUA001	straight up to 18" (457mm)	HDQUA002	straight 18.25" to 24" (464mm to 610mm)	HDQUA003	straight 24.25" to 48" (616mm to 1219mm)	HDQUA004	straight 48.25" to 72" (1226mm to 1829mm)	HDQUA005	straight 72.25" to 92" (1835mm to 2337mm)	HDQUA006	straight 92.25" to 100" (2343mm to 2540mm)	
grip model #	oal															
HDQUA001	straight up to 18" (457mm)															
HDQUA002	straight 18.25" to 24" (464mm to 610mm)															
HDQUA003	straight 24.25" to 48" (616mm to 1219mm)															
HDQUA004	straight 48.25" to 72" (1226mm to 1829mm)															
HDQUA005	straight 72.25" to 92" (1835mm to 2337mm)															
HDQUA006	straight 92.25" to 100" (2343mm to 2540mm)															
HDQUA001, 02, 03, 04, 05, 06		HDQUA007														



QUADRANT™ DOOR PULLS

PRODUCT DATA

PRICING - SERIES 1000

Pricing does not include freight. No additional charge for mounting hardware. All pricing is for single units, not pairs. A minimum of two standoffs is required for each door pull.

*MODEL - GRIPS	STAINLESS STEEL		BRONZE		SANTOPRENE	
HDQUA001 Straight Grip up to 18" (457mm) oal	US32, US32D, SSS	\$149	US9, US10, US10B, SBR, S10	\$261	BLACK	\$149
HDQUA002 Straight Grip 18.25" to 24" (464mm to 610mm) oal	US32, US32D, SSS	\$162	US9, US10, US10B, SBR, S10	\$284	BLACK	\$162
HDQUA003 Straight Grip 24.25" to 48" (616mm to 1219mm) oal	US32, US32D, SSS	\$209	US9, US10, US10B, SBR, S10	\$366	BLACK	\$209
HDQUA004 Straight Grip 48.25" to 72" (1226mm to 1829mm) oal	US32, US32D, SSS	\$255	US9, US10, US10B, SBR, S10	\$446	BLACK	\$255
HDQUA005 Straight Grip 72.25" to 92" (1835mm to 2337mm) oal	US32, US32D, SSS	\$300	US9, US10, US10B, SBR, S10	\$525	BLACK	\$300
HDQUA006 Straight Grip 92.25" to 100" (2343mm to 2540mm) oal	US32, US32D, SSS	\$346	US9, US10, US10B, SBR, S10	\$606	BLACK	\$346
HDQUA007 Arc Grip 24" (610) oal	US32, US32D, SSS	\$199	US9, US10, US10B, SBR, S10	\$348	BLACK	\$199

*MODEL - STANDOFFS	STAINLESS STEEL		BRONZE	
HDQUA008 Block	US32, US32D, SSS	\$182	US9, US10, US10B, SBR, S10	\$273
HDQUA009 Clamp	US32, US32D, SSS	\$182	US9, US10, US10B, SBR, S10	\$273
HDQUA010 Vise	US32, US32D, SSS	\$175	US9, US10, US10B, SBR, S10	\$263




*NOTE: QUADRANT SERIES 1000 & 1500 PULLS USE THE SAME GRIPS. GRIP ORIENTATION AND STANDOFF SERIES DETERMINE DOOR PULL PROFILE. TO AVOID FLEXING, STANDOFFS SHOULD BE SPACED NO MORE THAN 87" (2210MM) C.C. ON STRAIGHT STAINLESS STEEL GRIPS OR 75" (1905MM) C.C. ON STRAIGHT BRONZE GRIPS. LONGER LENGTHS WILL REQUIRE INTERMEDIATE STANDOFFS.





QUADRANT™ DOOR PULLS

PRODUCT DATA

DESIGN OPTIONS - SERIES 1500

SERIES 1500 STANDOFFS - SOLID CAST STAINLESS STEEL & BRONZE		
 projection 2.64" (67mm)	 projection 2.64" (67mm)	 projection 2.64" (67mm)
HDQUA011 - BLOCK	HDQUA012 - CLAMP	HDQUA013 - VISE

SERIES 1500 GRIPS - 1" X 1.5" (25MM X 38MM) STAINLESS STEEL, BRONZE & SANTOPRENE ELASTOMER															
 <table border="1" style="margin-left: auto; margin-right: auto;"> <thead> <tr> <th style="text-align: left;">grip model #</th> <th style="text-align: left;">oal</th> </tr> </thead> <tbody> <tr> <td>HDQUA001</td> <td>straight up to 18" (457mm)</td> </tr> <tr> <td>HDQUA002</td> <td>straight 18.25" to 24" (464mm to 610mm)</td> </tr> <tr> <td>HDQUA003</td> <td>straight 24.25" to 48" (616mm to 1219mm)</td> </tr> <tr> <td>HDQUA004</td> <td>straight 48.25" to 72" (1226mm to 1829mm)</td> </tr> <tr> <td>HDQUA005</td> <td>straight 72.25" to 92" (1835mm to 2337mm)</td> </tr> <tr> <td>HDQUA006</td> <td>straight 92.25" to 100" (2343mm to 2540mm)</td> </tr> </tbody> </table>	grip model #	oal	HDQUA001	straight up to 18" (457mm)	HDQUA002	straight 18.25" to 24" (464mm to 610mm)	HDQUA003	straight 24.25" to 48" (616mm to 1219mm)	HDQUA004	straight 48.25" to 72" (1226mm to 1829mm)	HDQUA005	straight 72.25" to 92" (1835mm to 2337mm)	HDQUA006	straight 92.25" to 100" (2343mm to 2540mm)	
grip model #	oal														
HDQUA001	straight up to 18" (457mm)														
HDQUA002	straight 18.25" to 24" (464mm to 610mm)														
HDQUA003	straight 24.25" to 48" (616mm to 1219mm)														
HDQUA004	straight 48.25" to 72" (1226mm to 1829mm)														
HDQUA005	straight 72.25" to 92" (1835mm to 2337mm)														
HDQUA006	straight 92.25" to 100" (2343mm to 2540mm)														
HDQUA001, 02, 03, 04, 05, 06	HDQUA007														



QUADRANT™ DOOR PULLS

PRODUCT DATA

PRICING - SERIES 1500

Pricing does not include freight. No additional charge for mounting hardware. All pricing is for single units, not pairs. A minimum of two standoffs is required for each door pull.

*MODEL - GRIPS	STAINLESS STEEL		BRONZE		SANTOPRENE	
HDQUA001 Straight Grip up to 18" (457mm) oal	US32, US32D, SSS	\$149	US9, US10, US10B, SBR, S10	\$261	BLACK	\$149
HDQUA002 Straight Grip 18.25" to 24" (464mm to 610mm) oal	US32, US32D, SSS	\$162	US9, US10, US10B, SBR, S10	\$284	BLACK	\$162
HDQUA003 Straight Grip 24.25" to 48" (616mm to 1219mm) oal	US32, US32D, SSS	\$209	US9, US10, US10B, SBR, S10	\$366	BLACK	\$209
HDQUA004 Straight Grip 48.25" to 72" (1226mm to 1829mm) oal	US32, US32D, SSS	\$255	US9, US10, US10B, SBR, S10	\$446	BLACK	\$255
HDQUA005 Straight Grip 72.25" to 92" (1835mm to 2337mm) oal	US32, US32D, SSS	\$300	US9, US10, US10B, SBR, S10	\$525	BLACK	\$300
HDQUA006 Straight Grip 92.25" to 100" (2343mm to 2540mm) oal	US32, US32D, SSS	\$346	US9, US10, US10B, SBR, S10	\$606	BLACK	\$346
HDQUA007 Arc Grip 24" (610) oal	US32, US32D, SSS	\$199	US9, US10, US10B, SBR, S10	\$348	BLACK	\$199

*MODEL - STANDOFFS	STAINLESS STEEL		BRONZE	
HDQUA011 Block	US32, US32D, SSS	\$215	US9, US10, US10B, SBR, S10	\$323
HDQUA012 Clamp	US32, US32D, SSS	\$215	US9, US10, US10B, SBR, S10	\$323
HDQUA013 Vise	US32, US32D, SSS	\$204	US9, US10, US10B, SBR, S10	\$306

*NOTE: QUADRANT SERIES 1500 & 1000 PULLS USE THE SAME GRIPS. GRIP ORIENTATION AND STANDOFF SERIES DETERMINE DOOR PULL PROFILE. TO AVOID FLEXING, STANDOFFS SHOULD BE SPACED NO MORE THAN 87" (2210MM) C.C. ON STRAIGHT STAINLESS STEEL GRIPS OR 75" (1905MM) C.C. ON STRAIGHT BRONZE GRIPS. LONGER LENGTHS WILL REQUIRE INTERMEDIATE STANDOFFS.

HOW TO SPECIFY

Please provide the following:

- Door pull quantity
- Grip model number
- Grip metal & finish
- Grip length
- Grip quantity
- Center-to-center dimension
- Standoff model number
- Standoff metal & finish
- Standoff quantity
- Door material & thickness
- Mounting option